

A

B

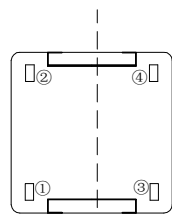
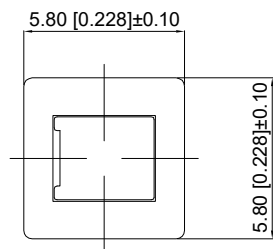
C

D

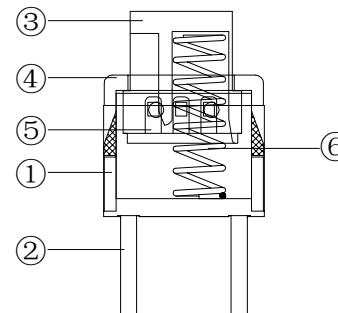
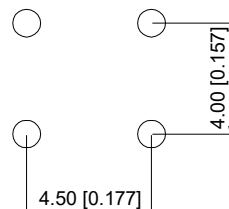
E

F

G



向视图



行程与通电状态对照

行程状态 (mm)	通电状态
0-0.5	3-1 4-2 1与2导通, 3与4导通
0.5-2.0	3-1 4-2 全断开

3.60 [0.142]

3.00 [0.118]±0.10

5.00 [0.197]±0.10

3.00 [0.118]

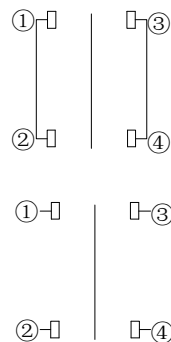
8.00 [0.315]±0.20 (ON)

6.80 [0.268]±0.20 (OFF)

4.50 [0.177]±0.20

4.00 [0.157]±0.20

3.50 [0.138]±0.20



Circuit diagram

电路简图

Normal: 1-2 on, 3-4 on
 常态: 1-2导通, 3-4导通
 Press: all disconnected
 按下: 全部断开

Technical parameter

技术参数

- Rated current: 100mA 30V DC
1. 额定电流: 100mA 30V DC
- Contact resistance: ≤ 200m Ω
2. 接触电阻: ≤200m Ω
- Operating force: 260gf ± 50gf
3. 操作力: 260gf±50gf
- Maximum stroke: 2.0 ± 0.2mm
4. 最大行程: 2.0±0.2mm

5. Insulation resistance: ≥ 100M Ω

5. 绝缘电阻: ≥100MΩ

6. Electric strength: AC250v 50Hz 1Min

6. 抗电强度: AC250v 50Hz 1Min

7. Service life: 10000 times

7. 寿命: 10000次

8. Switch similar: No lock

8. 开关类似: 无锁

ITEM	Name	Materials	NUM	COLOR
6	Spring 弹簧	SUS 不锈钢丝	1	Natural color 本色
5	reed 簧片	Composite silver 复合银	1	Natural color 本色
4	Upper cover 上盖	PA66	1	black 黑色
3	handle 按柄	PA66	1	pale 灰白
2	terminal 端子	Brass 黄铜	1	Natural color/silver 本色/镀银
1	Pedestal 基座	PA66	1	black 黑色

REV	DATE	REVISION	DESCRIPTION	ISSUE
A4				
A3				
A2				
A1				



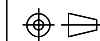
COMMON TOLERANCE

X.XX	± 0.10
X.X	± 0.15
X	± 0.25
ANGULAR	—

UNIT

MM

PROJECTED



PRODUCT NAME:

DRAWN BY

FUYUAN

CHECKED BY

COCO

MODEL NO: TP55821280

DATE

2019

APPROVAL B

ALEN

Https: www.rocpu.tw

ROCPU TECHNOLOGY CO.,LTD

Copies are issued in strict confidence and shall not be reproduced or copied, or used as the basis of manufacture or sale of apparatus without permission