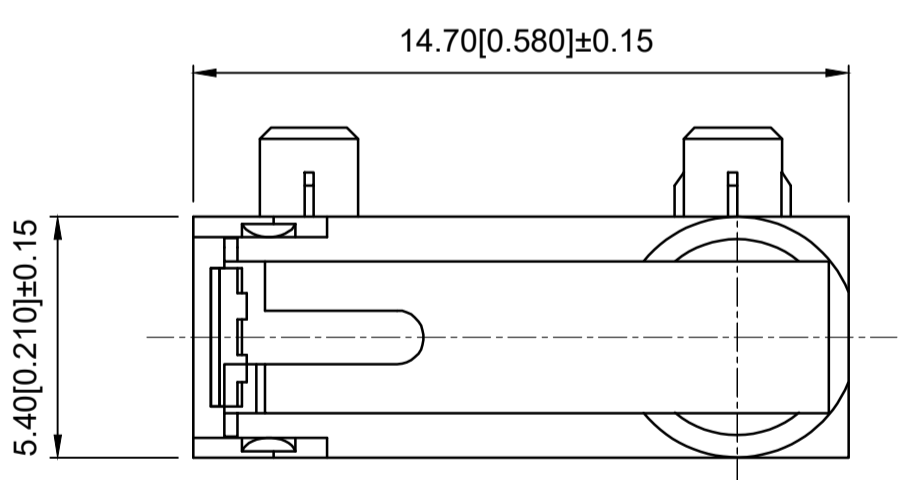
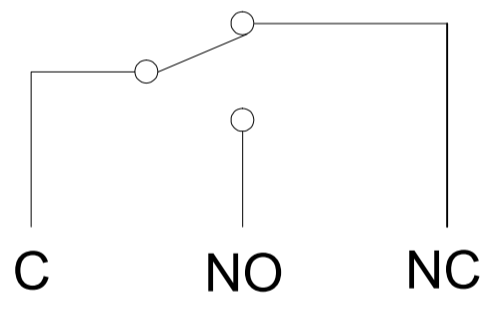


Circuit diagram



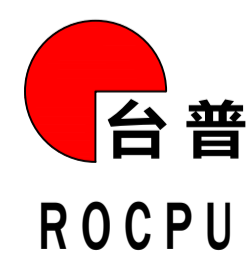
1	Rubber shell	PA66
2	Seal ring	Silica gel
3	Base	Brass+PA66
4	According to sincerity	Pom
5	Contact moving plate	Phosphor bronze
6	Strut	SUS

Technical Parameters

技术参数

- 1. Electrical Rating: 0.1A 125/250VAC
3A/12VDC; 0.1A/48VDC
- 1. 电气额定值: 0.1A 125/250VAC
3A/12VDC; 0.1A/48VDC
- 2. Electrical lifetime: 100,000 cycles
- 2. 电气寿命: 100,000 cycles
- 3. Mechanical lifetime: 100,000 cycles
- 3. 机械寿命: 100,000 cycles
- 4. Contact Resistance: ≤50mΩ
- 4. 接触电阻: ≤50兆欧
- 5. Operating force: 2.2N MAX
- 5. 操作力: 2.2N MAX
- 6. Operation Position: 7.1±0.5mm
- 6. 动作位置: 7.1±0.5mm
- 7. Pretravel: 3.0mm
- 7. 动作行程: 3.0mm
- 8. Withstand Voltage: Feet and Feet 500V/5S/5mA
Feet and Shell 1500/5S/5mA
- 8. 耐压: 脚与脚 500/5s/5mA
脚与壳 1500/5S/5mA
- 9. Insulation Resistance: ≥100MΩ
- 9. 绝缘电阻: ≥100MΩ
- 10. Proof Tracking Index(PTI): 175V
- 10. 漏电起痕指数 (PTI): 175V
- 11. Ambient temperature: 125°
- 11. 环境温度: 125°
- 12. Waterproof grade: IP67
- 12. 防水等级: IP67
- 13. working temperature: -25°C ~ + 105°C
- 13. 工作温度: -25°C ~ + 105°C

A4				
A3				
A2				
A1				
REV	DATE	REVISION	DESCRIPTION	ISSUE



COMMON TOLERANCE	
X.XX	± 0.10
X.X	± 0.15
X	± 0.25
ANGULAR	—

UNIT	MM	PROJECTED		PRODUCT NAME:
DRAWN BY	FUYUAN	CHECKED BY	COCO	MODEL NO: TP3306141365
DATE	2019	APPROVAL B	ALEN	Https: www.rocpcu.tw

ROCPCU TECHNOLOGY CO.,LTD

Copies are issued in strict confidence and shall not be reproduced or copied, or used as the basis of manufacture or sale of apparatus without permission