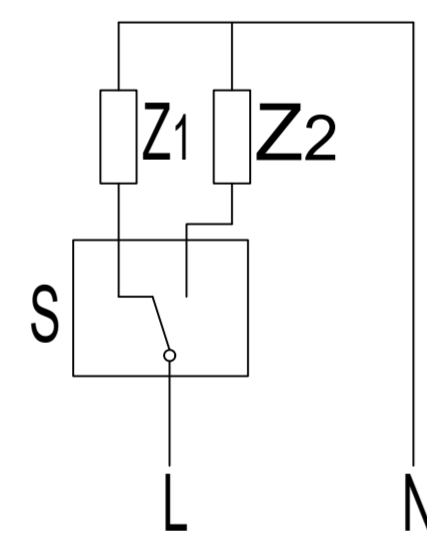


技术参数值 (Technical Parameters)

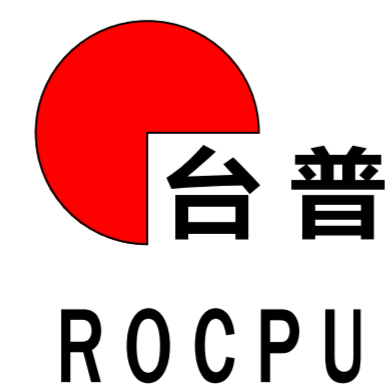
1. 电气额定值 (Electrical Rating) : 1A 250VAC
2. 温度等级 (Temperature grade) : T85
3. 动作力 (OF) : 1.0±0.4N
4. 动作行程 (PT) : ≤0.8mm
5. 接触电阻 (Contact Resistance) : ≤50mΩ
6. 绝缘电阻 (Insulation Resistance) : ≥100MΩ
7. 耐压 (Withstand Voltage) : 端-端500VAC/5S, 漏电流5mA, 端-壳1500VAC/5S, 漏电流5mA。
8. 电气寿命 (Electrical Service Life) : 10,000
9. 耐漏电起痕 (Proof Tracking Index) : 175V

电路简图



| | | | | |
|---------------------|-------------------------|----------------|--|--------------|
| 5 | 压柄 Pressing handle | 1 | 不锈钢 SUS | |
| 4 | 塑盖 Plastic cover | 1 | PBT | 黑色 black |
| 3 | 动触片组件 Contact parts | 1 | 铍青铜+银丝 Beryllium bronze + silver wire | |
| 2 | 推动子 Push parts | 1 | 尼龙66 PA66 | 灰色 grey |
| 1 | 底座组件 Bottom assembly | 1 | PBT+黄铜+银丝 PBT + brass + silver wire | |
| 序号 Serial number | 零件名称 Part name | 数量 quantity | 材质 Texture of material | 备注 REMARK |

| | | | | |
|-----|------|----------|-------------|-------|
| A4 | | | | |
| A3 | | | | |
| A2 | | | | |
| A1 | | | | |
| REV | DATE | REVISION | DESCRIPTION | ISSUE |



COMMON TOLERANCE

| | |
|---------|--------|
| X.XX | ± 0.10 |
| X.X | ± 0.15 |
| X | ± 0.25 |
| ANGULAR | — |

| | | | | |
|---|--------|------------|------|-----------------------|
| UNIT | MM | PROJECTED | | PRODUCT NAME: |
| DRAWN BY | FUYUAN | CHECKED BY | COCO | MODEL NO: TP301131180 |
| DATE | 2019 | APPROVAL B | ALEN | Https: www.rocpcu.tw |
| ROCPCU TECHNOLOGY CO.,LTD | | | | |
| Copies are issued in strict confidence and shall not be reproduced or copied, or used as the basis of manufacture or sale of apparatus without permission | | | | |