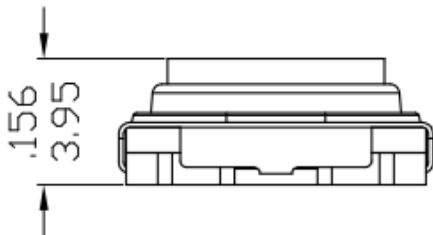
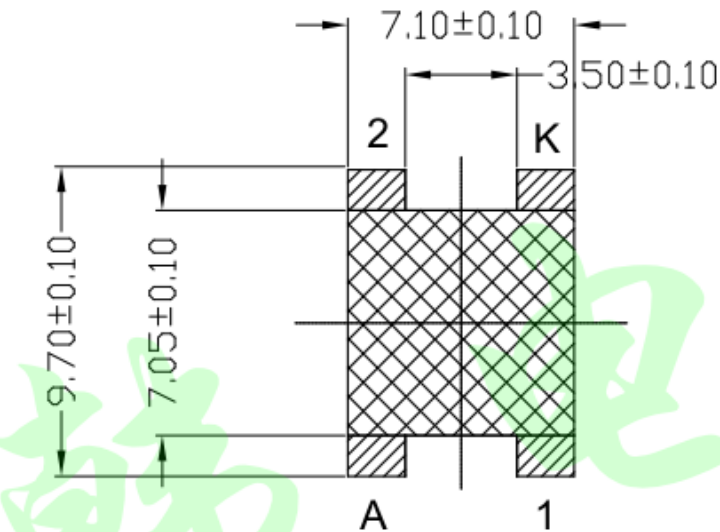


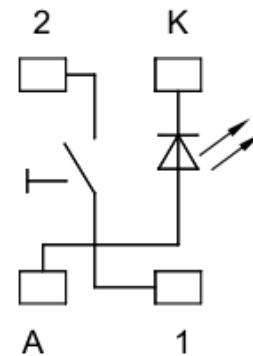
PCB LAYOUT



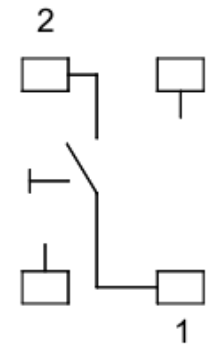
For automotive interior light control.
Switch can be with different LED colors.
Water-proof construction.

1. Contact Rating: DC 28V, 50mA
2. Operation Life: 500,000 cycles
3. Contact Resistance: 100mΩ max. (initial)
4. Insulation Resistance: 500MΩ min. 250VDC
5. Press force: 500 ± 150gf
6. Travel: 0.75 ± 0.3mm

CIRCUIT



WITH LED



WITHOUT LED

					Nominal Tolerance		Part no.		东莞市美韩电子科技有限公司				
					Range	Tolerance	Dwg no.		Dongguan Usakro Electronic Technology Co., Ltd.			Drawer	
					0 ~ 1	±0.10	Part Name.		UK-C0303-BL			Date	
					1 ~ 4	±0.20	TQ Series Tact Switches		Scale 1:1			Edition	
					4 ~ 16	±0.30			Unit m/m (inch)			A0	
1	A0	NEW	陈代学	22.2.22					Rev. 0				