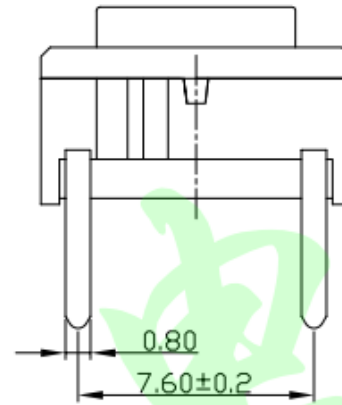
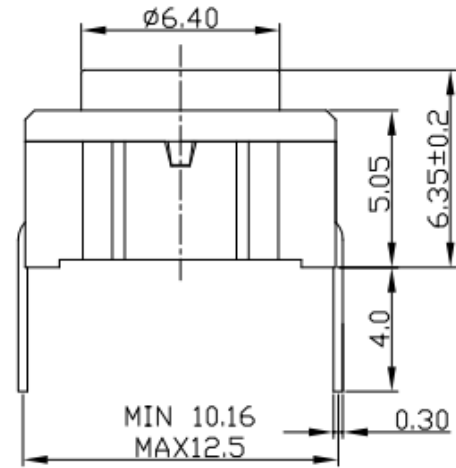
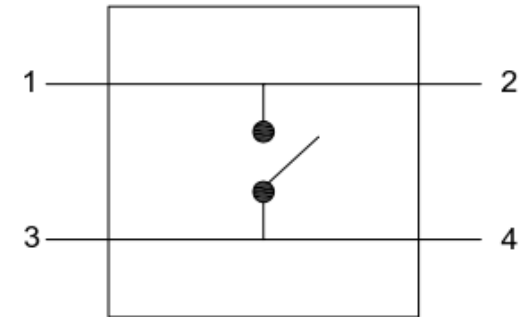


1. Rating: 50mA, 24VDC
2. Electrical Life: 1,000,000 cycles
3. Contact Resistance: 50m Ω max. (initial)
4. Insulation Resistance: 10M Ω min. 100VDC
5. Dielectric Strength: 250VAC/1 min.
6. Operating Temperature: -40°C to +160°C

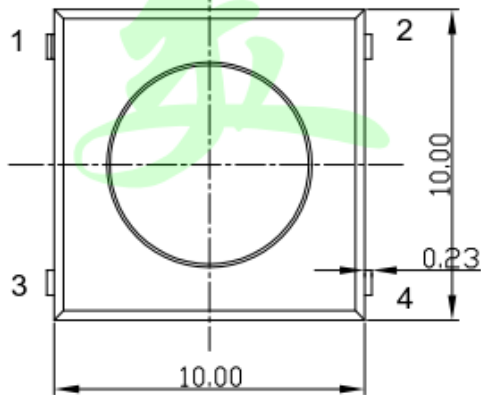
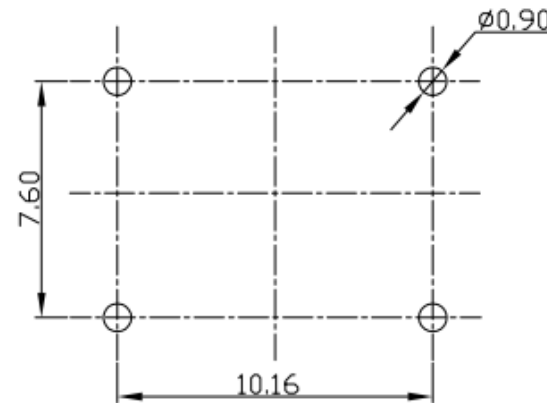


1. Various options of cap, color and pattern
2. Can be combined into a 5-ways Navigation Switch
3. Carry IP67 protection degree

CIRCUIT



PCB LAYOUT



HOUSE $\ddot{\text{y}}$ Nylon
 ACTUATOR $\ddot{\text{y}}$ Nylon
 COVER $\ddot{\text{y}}$ Nylon
 SEALING+SPRING $\ddot{\text{y}}$ Silicon
 CONTACT $\ddot{\text{y}}$ Stainless steel silver plating
 TERMINAL $\ddot{\text{y}}$ Copper alloy

Dongguan Usakro Electronic Technology Co., Ltd.

			angle	$\pm 2'$		design		date		name	UK-B02154A-G6.4
			10~30	± 0.30		Review		date			
			5~10	± 0.20		Approved		date		name	特点: 防水等级IP67
			~ 5	± 0.10		Drawing number:					
modify	Review	Approved	Tolerance not specified			Proportion	1:1	unit	mm	gape	number