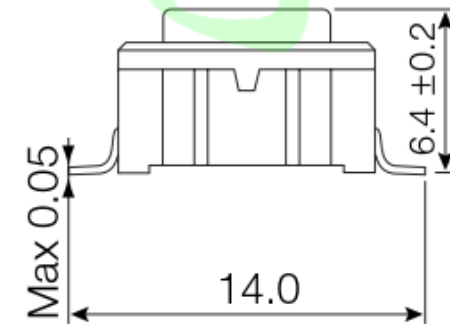
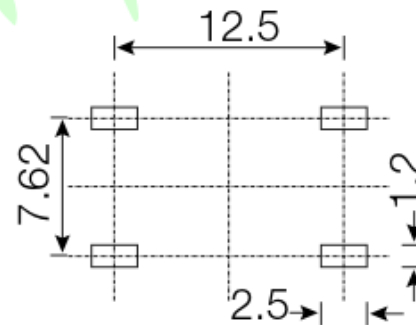
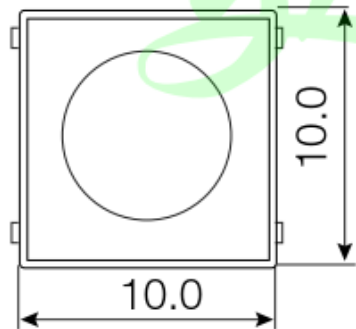


1. Rating: 50mA, 24VDC
2. Electrical Life: 1,000,000 cycles
3. Contact Resistance: 50m Ω max. (initial)
4. Insulation Resistance: 10M Ω min. 100VDC
5. Dielectric Strength: 250VAC/1 min.
6. Operating Temperature: -40°C to +160°C

1. Various options of cap, color and pattern
2. Can be combined into a 5-ways Navigation Switch
3. Carry IP67 protection degree



PCB layout



HOUSE: Nylon
 ACTUATOR: Nylon
 COVER: Nylon
 SEALING+SPRING: Silicon
 CONTACT: Stainless steel silver plating
 TERMINAL: Copper alloy

Dongguan Usakro Electronic Technology Co., Ltd.

			angle	±2'		design	date		name	UK-B02154-G6.4
			10~30	±0.30		Review	date			
			5~10	±0.20		Approved	date		name	特点: 防水等级IP67
			~ 5	±0.10		Drawing number:				
modify	Review	Approved	Tolerance not specified	Proportion	1:1	unit	mm	gap	number	A4