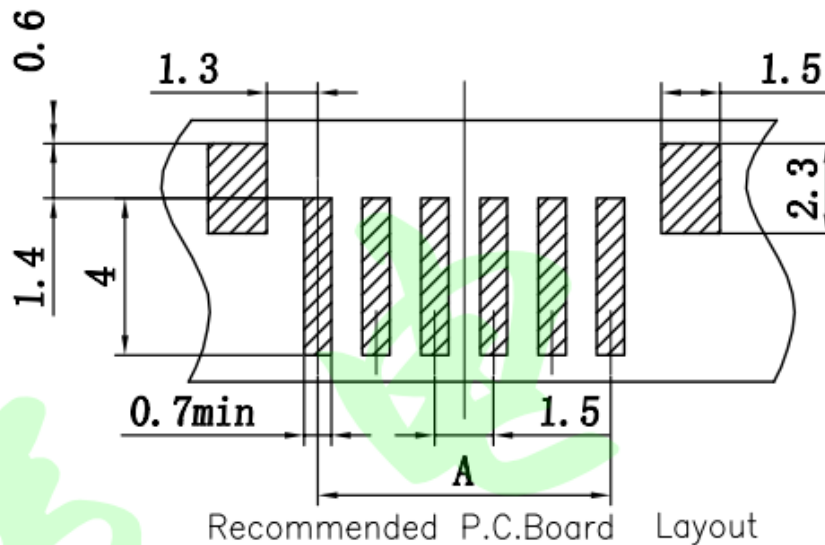
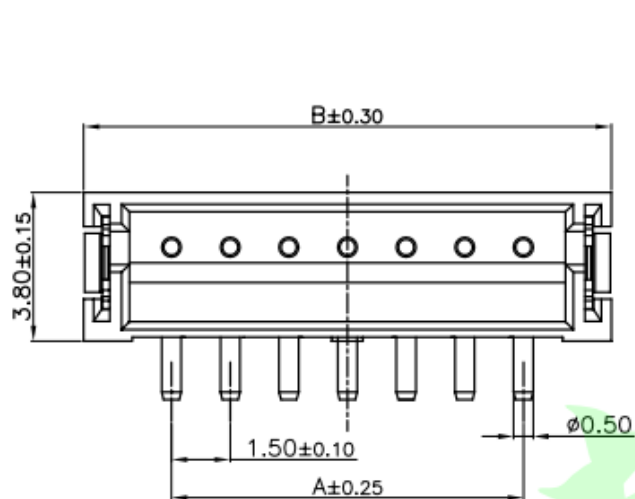
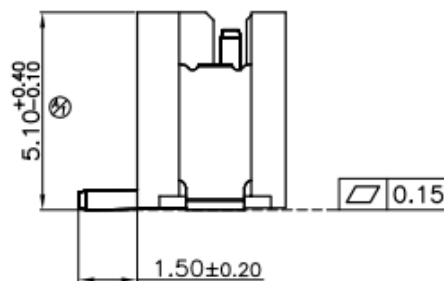
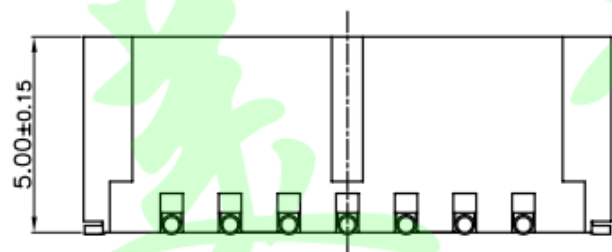


REV.	ECN NO	DESCRIPTION	REVISED	DATE
A		新订图面		2016.8.13



Recommended P.C.Board Layout



Specifications / 技术规格:

- Current rating: 1A
额定电流: 1A
- Voltage rating: 50V AC,DC
额定电压: 50V AC, DC
- Insulation Resistance: 500 MΩ Min.
绝缘电阻: 最小500MΩ
- Dielectric Withstanding: 500V AC 1Min
耐电压: 500V AC 1分钟
- Contact Resistance: 20mΩ Max.
接触电阻: 最大20mΩ
- Operating Temperature: -25°C to +85°C
工作温度: -25° C 到85° C

Materials / 材料:

- Contact Material: Brass (Sn plating)
接触铜针材料: 黄铜(镀锡)
- Soldering Terminal: Brass (Sn plating)
焊片材料: 黄铜(镀锡)
- Insulation Material: LCP UL94V-0
绝缘体材料: LCP UL94 V-0

孔数	型号	尺寸 (mm)	
		A	B
2	15-2ALT	1.5	6.0
3	15-3ALT	3.0	7.5
4	15-4ALT	4.5	9.0
5	15-5ALT	6.0	10.5
6	15- 6ALT	7.5	12.0
16	15-16ALT	22.5	27.0

东莞市美韩电子科技有限公司
Dongguan Usakro Electronic Technology Co., Ltd.

GENERAL TOLERANCE

X.* ± 3'	.XXX ± 0.10
.X' ± 2'	.XX ± 0.15
.XX' ± 1'	.X ± 0.25
.XXX' ± 0.5'	X. ± 0.35

DESIGN: WWH

DATE: 2016.8.13

DWG. NO.

TITLE.

CHECKED:

DATE: 2016.8.13

AUDITED:

DATE: 2016.8.13

APPROVED:

DATE: 2016.8.13

PART NO.

UK-1.5-2ALT

ZH1.5立贴

REV.	UNIT.	SCALE.	MM	1:1
A	MM	1:1		