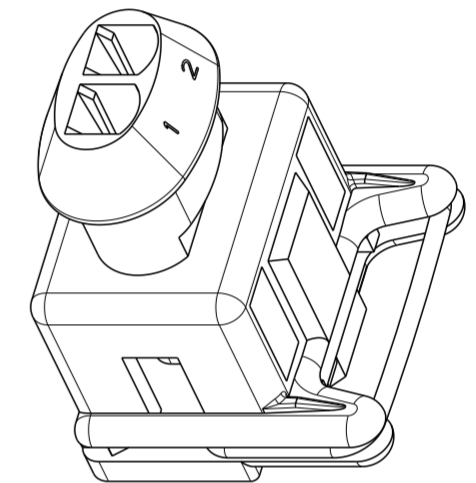
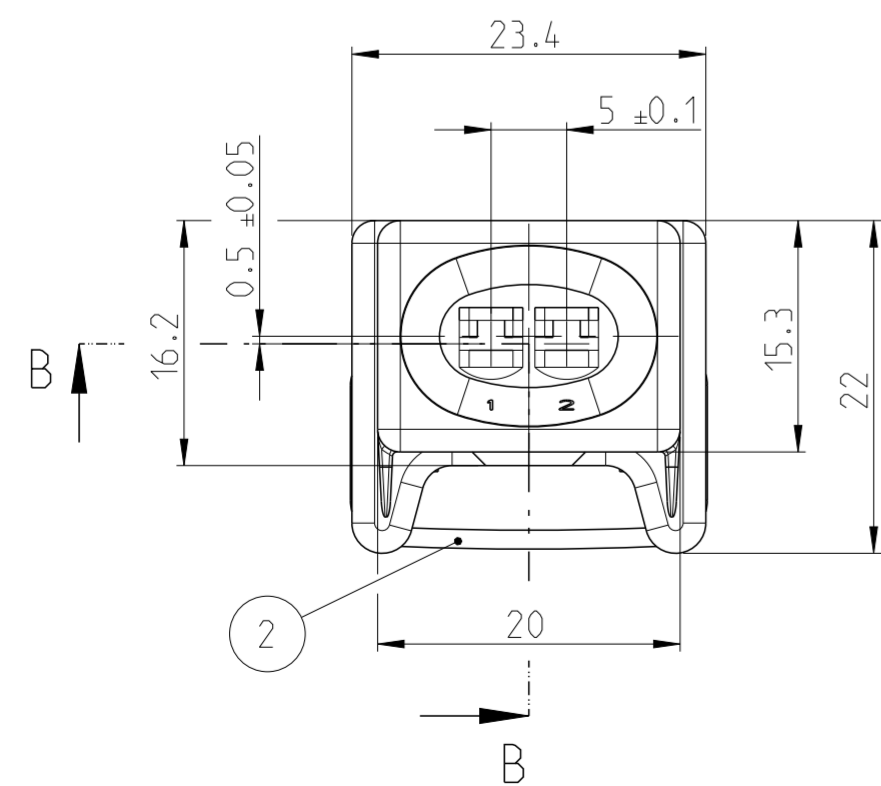
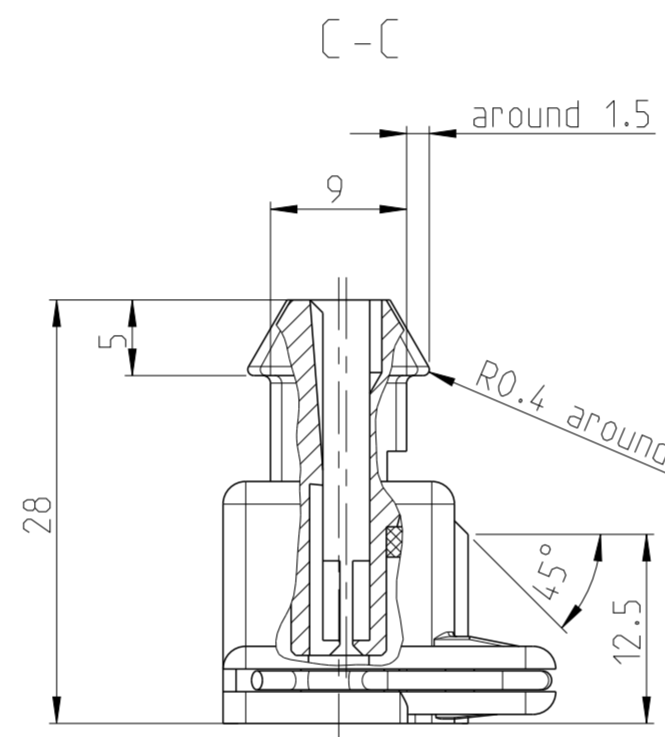
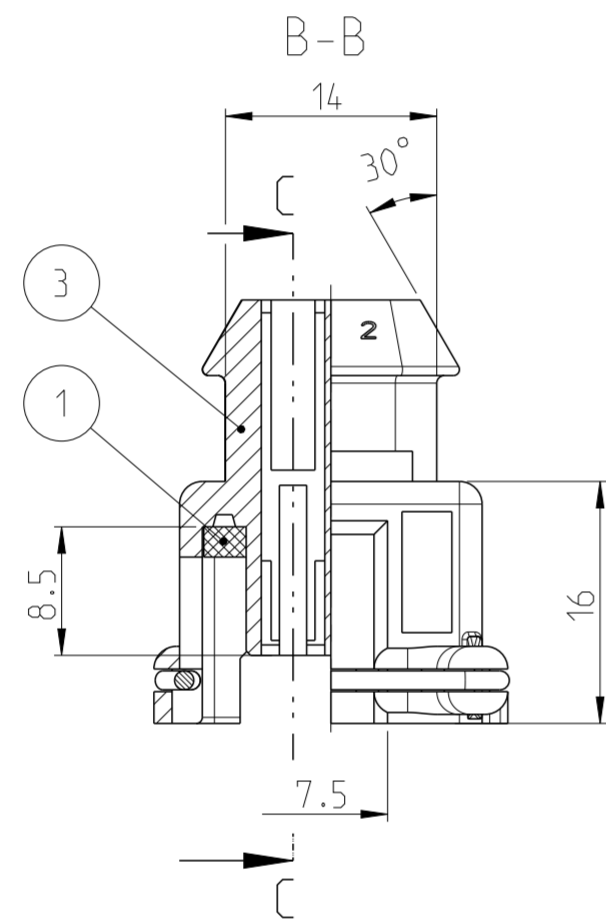
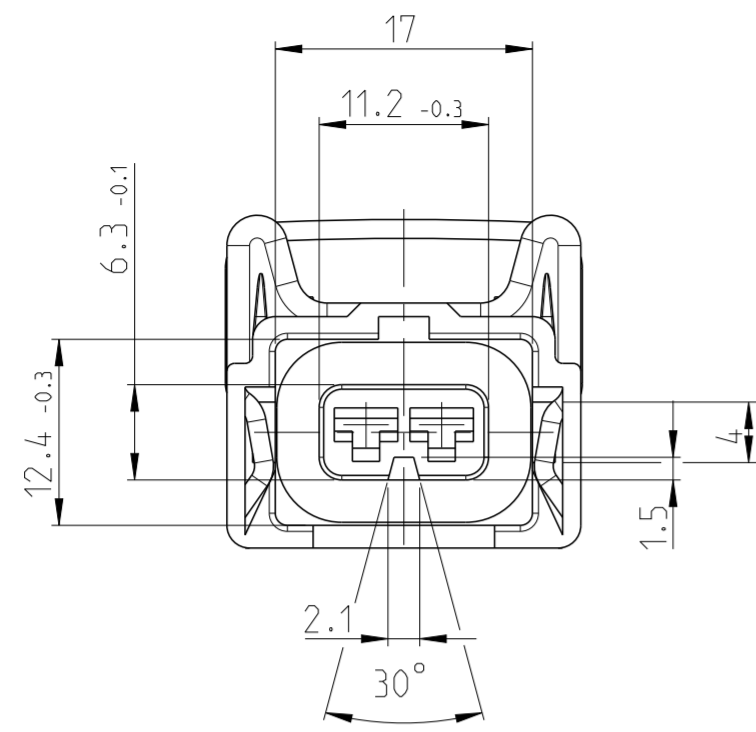


P	LTR	DESCRIPTION	DATE	DWN	APVD
A4		REVISED PER ECO-11-005294	29APR2011	RK	HMR
A5		OBSOLETE PN 827551-6	17DEC2021	KMD	SCK



827551-8	827551-7	827551-6	827551-5	827551-4	827551-3	827551-2	827551-1	PART-NO.	DESCRIPTION	ITEM NO.	MATERIAL	COLOR
1	1	1	1	1	1	1	1	927374-8	2 POS. HOUSING	3	PA 6.6 GFV 30	YELLOW
								927374-7		3		RED
								927374-6		3		GREEN
								927374-5		3		BLUE
								927374-4		3		BROWN
								927374-3		3		BLACK
								927374-2		3		GREY
								927374-1		3		NATURAL
1	1	1	1	1	1	1	1	827547-1	SPRING	2	DIN 2076	
1	1	1	1	1	1	1	1	825383-1	SEALING	1	NEOPRENE	

A5
OBSOLETE

THIS DRAWING IS A CONTROLLED DOCUMENT.

DIMENSIONS:	TOLERANCES UNLESS OTHERWISE SPECIFIED:
mm	±0.3mm
0 PLC	±0.1mm
1 PLC	±0.1mm
2 PLC	±0.1mm
3 PLC	±0.1mm
4 PLC	±0.1mm
ANGLES	±2.5°
FINISH	

DWN	12 JUL 1983
CHK	Hoschek
	09 AUG 1983
APVD	Ryll
	25 AUG 2006
NAME	Bleicher M.
PRODUCT SPEC	
APPLICATION SPEC	
WEIGHT	
CUSTOMER DRAWING	

STE TE Connectivity

ASSY FOR 2POS. HSG.
FOR JUNIOR-TIMER CONTACT
2 pol. Hehaeuse fuer Junior-Timer Kontakt

SIZE: A2 CAGE CODE: 100779 DRAWING NO: C-827551 RESTRICTED TO: -

SCALE: 2:1 SHEET: 1 OF 1 REV: A5