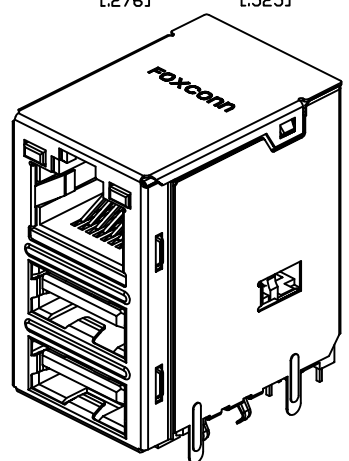
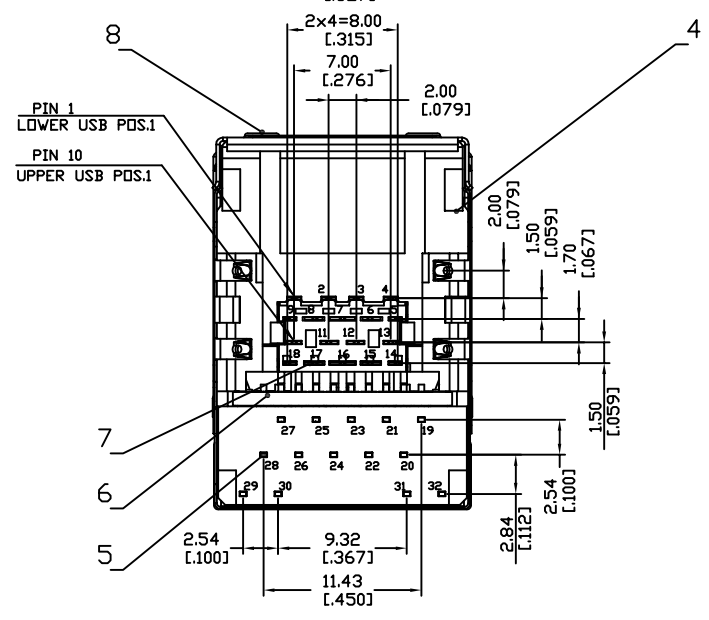
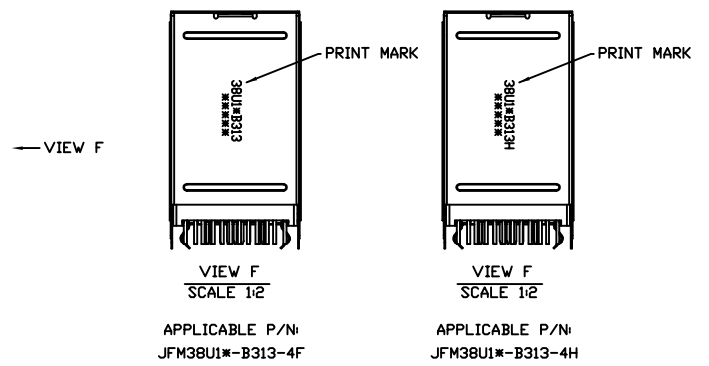
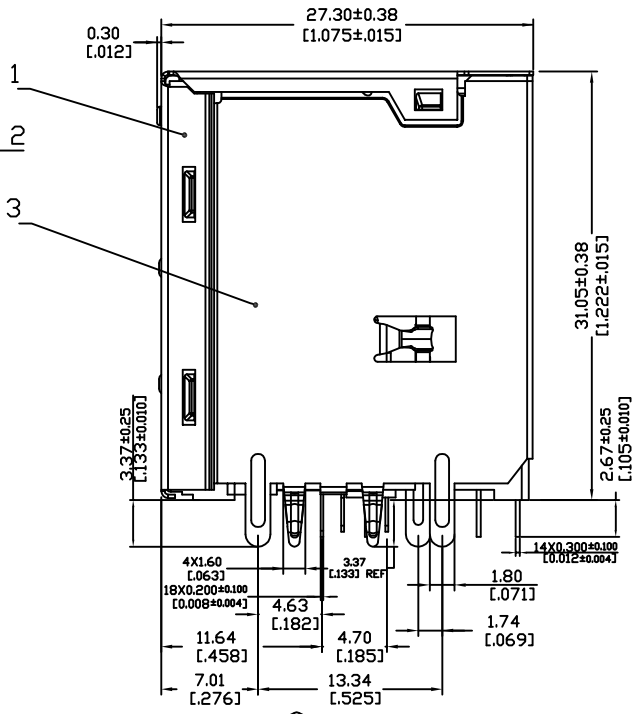
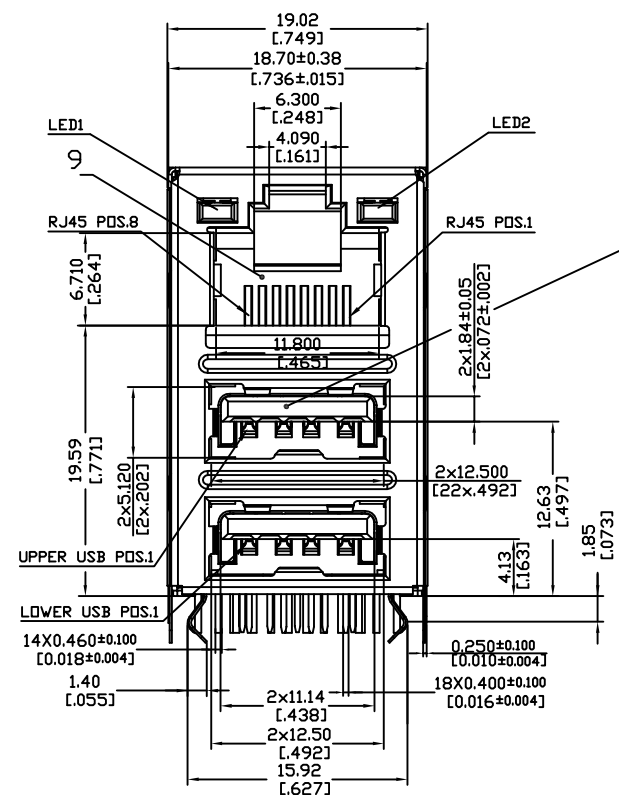
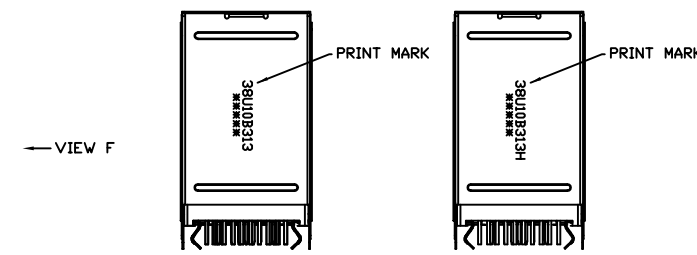
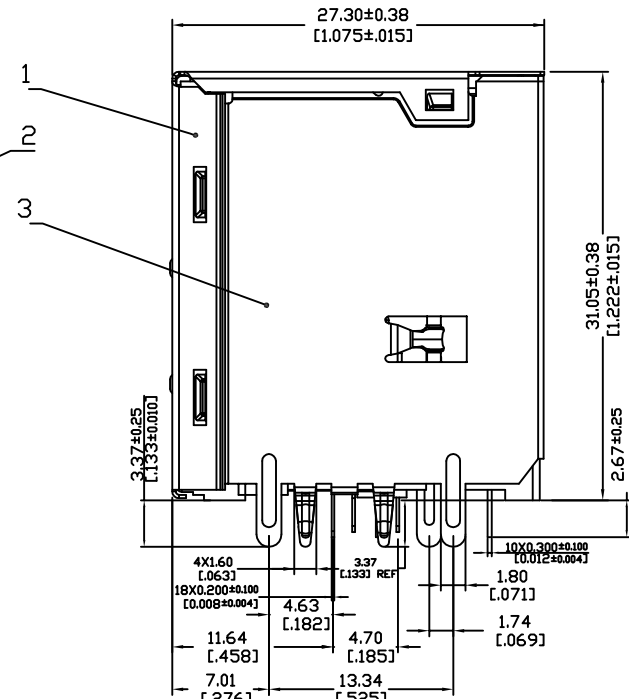
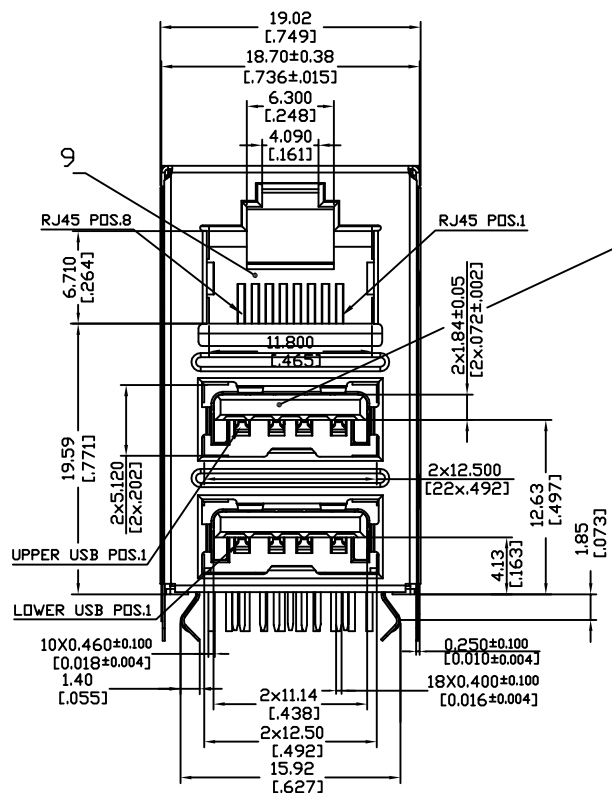


REV.	ECN. NO.	APPD.
A	BC-12-0010068	ARTHUR.H
AX7	BC-15-XXX	ARTHUR.H

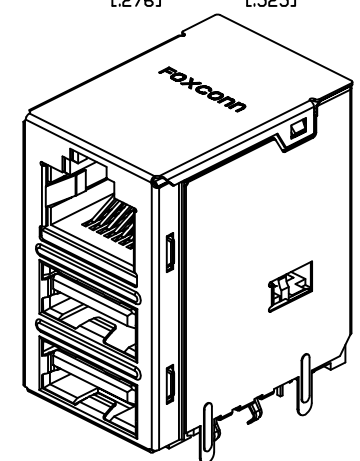
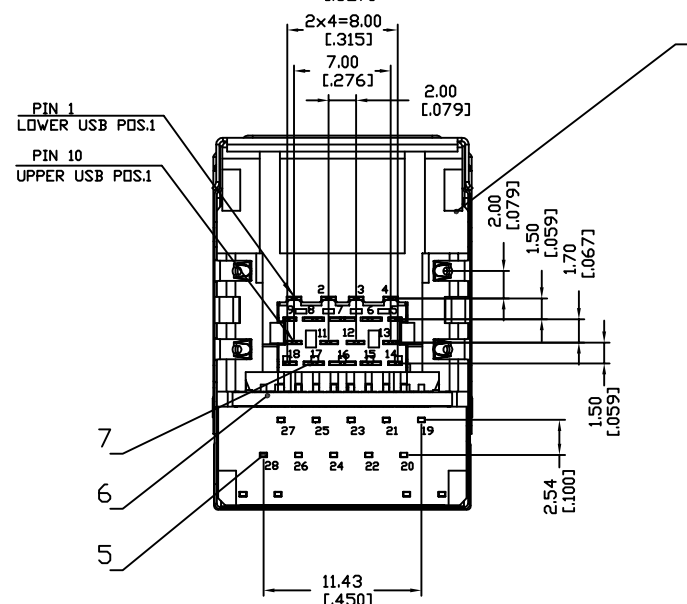


- NOTES UNLESS OTHERWISE SPECIFIED
- RJ45 TO BE BASED UPON FCC 68.5
 - STACKED USB TO BE BASED UPON USB 3.0 SPECIFICATION
 - RECOMMENDED PCB THICKNESS: 1.57±0.05[.062±.002]
 - SOLDER CONDITION: WAVE SOLDER PEAK TEMPERATURE 265° 5-10 SECOND
 - PRINT MARK:
 - ① 38U1*B313* PART NO
 - ② ***** DATE CODE
 - PRODUCT TO BE COMPLY WITH REQUIREMENT OF RoHS

X. ±	X. ° ±	UNITS mm [INCH]	NAME (INTENDED USE)	FOXCONN® FOXCONN INTERCONNECT TECHNOLOGY LIMITED.
.X ±	.X ° ±	MAT'L	CUSTOMER	
.XX ±0.25 [0.010]	.XX ° ±	N/A	PART NO. (INTENDED USE) JFM38U1*-B313-4F JFM38U1*-B313-4H	CLASS: <input type="checkbox"/> CONFIDENTIAL <input type="checkbox"/> SECRET <input checked="" type="checkbox"/> GENERAL
.XXX ±0.10 [0.004]	.XXX ° ±	FINISH	APPD: ARTHUR.H 04/07'15	TITLE: RJ45 MODULE JACK W/LEDS OVER STACKED USB RECEPTACLE
THESE DRAWINGS AND SPECIFICATIONS ARE THE PROPERTY OF FOXCONN INTERCONNECT TECHNOLOGY LIMITED AND SHALL NOT BE REPRODUCED, COPIED OR USED IN ANY MANNER WITHOUT THE PRIOR WRITTEN CONSENT OF FOXCONN INTERCONNECT TECHNOLOGY LIMITED.			Q'TY	DWG NO: 305-0000-5057
			N/A	CHKD: FEI LI 04/07'15 DR: BHAISU 04/07'15
			SCALE	SHEET
			N/A	1/7
			REV.	AX7



VIEW F SCALE 1/2
 APPLICABLE P/N: JFM38U10-B313-4F



- NOTES UNLESS OTHERWISE SPECIFIED
1. RJ45 TO BE BASED UPON FCC 68.5
 2. STACKED USB TO BE BASED UPON USB 3.0 SPECIFICATION
 3. RECOMMENDED PCB THICKNESS: 1.57±0.05[L.062±0.002]
 4. SOLDER CONDITION: WAVE SOLDER PEAK TEMPERATURE 265° 5-10 SECOND
 5. PRINT MARK:
 ① 38U10B313*
 _____ PART NO
 ② *****
 _____ DATE CODE
 6. PRODUCT TO BE COMPLY WITH REQUIREMENT OF RoHS

X. ±	X. ° ±	UNITS mm [INCH]	NAME(INTENDED USE)	FOXCONN® FOXCONN INTERCONNECT TECHNOLOGY LIMITED.
.X ±	.X ° ±	MAT'L	CUSTOMER	
.XX ±0.25 [L.010]	.XX ° ±	N/A	PART NO.(INTENDED USE) JFM38U10-B313-4F JFM38U10-B313-4H	CLASS: □ CONFIDENTIAL □ SECRET □ GENERAL
.XXX ±0.10 [L.004]	.XXX ° ±	FINISH	APPD: ARTHUR.H 04/07'15	TITLE: RJ45 MODULE JACK W/LEDS OVER STACKED USB RECEPTACLE
THESE DRAWINGS AND SPECIFICATIONS ARE THE PROPERTY OF FOXCONN INTERCONNECT TECHNOLOGY LIMITED AND SHALL NOT BE REPRODUCED, COPIED OR USED IN ANY MANNER WITHOUT THE PRIOR WRITTEN CONSENT OF FOXCONN INTERCONNECT TECHNOLOGY LIMITED.			Q'TY	DWG NO: 305-0000-5057
			N/A	CHKD: FEI LI 04/07'15 DR: BHAJ.SU 04/07'15
				SCALE SHEET REV. N/A 2/7 AX7

9	RJ45 CONTACT	8	PHOSPHOR BRONZE	30u" MIN. FPT PLATING AT CONTACT FUNCTION AREA 100~200u" LEAD FREE TIN PLATING AT SOLDERING AREA 50~100u" NICKEL UNDERPLATING
8	LIGHTER	2/1/0	LED	
7	USB CONTACT	18	PHOSPHOR BRONZE	30u" MIN. FPT PLATING AT CONTACT FUNCTION AREA 100~200u" LEAD FREE TIN PLATING AT SOLDERING AREA 50~100u" NICKEL UNDERPLATING
6	TRANSFORMER MODULE	1		
5	FOOT CONTACT	14	BRASS	100~200 u" LEAD FREE TIN PLATING ALL 50~100u" NICKEL UNDERPLATING
4	FRAME HOUSING	1	PBT UL 94V-0	MOLDED COLOR: BLACK
3	REAR SHELL	1	STAINLESS STEEL SUS304	50~100u" NICKEL UNDERPLATING, 50~200u" Sn PLATED AT TAB AREA
2	USB INSERT HOUSING	2	PA66 UL 94V-0	MOLDED COLOR: BLUE, PANTONE 300C
1	FRONT SHELL	1	STAINLESS STEEL SUS304	CLEANING
ITEM	DESC.	Q'TY	MATERIAL	TREATMENT

REMARK:

JFM
RJ WITH
MAGNETIC

3
PROTOCOL
TYPE:
3=10/100/1000
BASE T

8
CORE COUNT:
8=8 CORE

U
CONFIGURATION:
U=COMBO USB

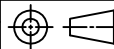
1
PCB ATTACH
METHOD
1=SOLDER
TAIL

*
LEDs
(SEE SHEET 4/7)

- B 3 1 3 - 4
EXTENSION NO.

4
PACKAGING
4: SOFT TRAY

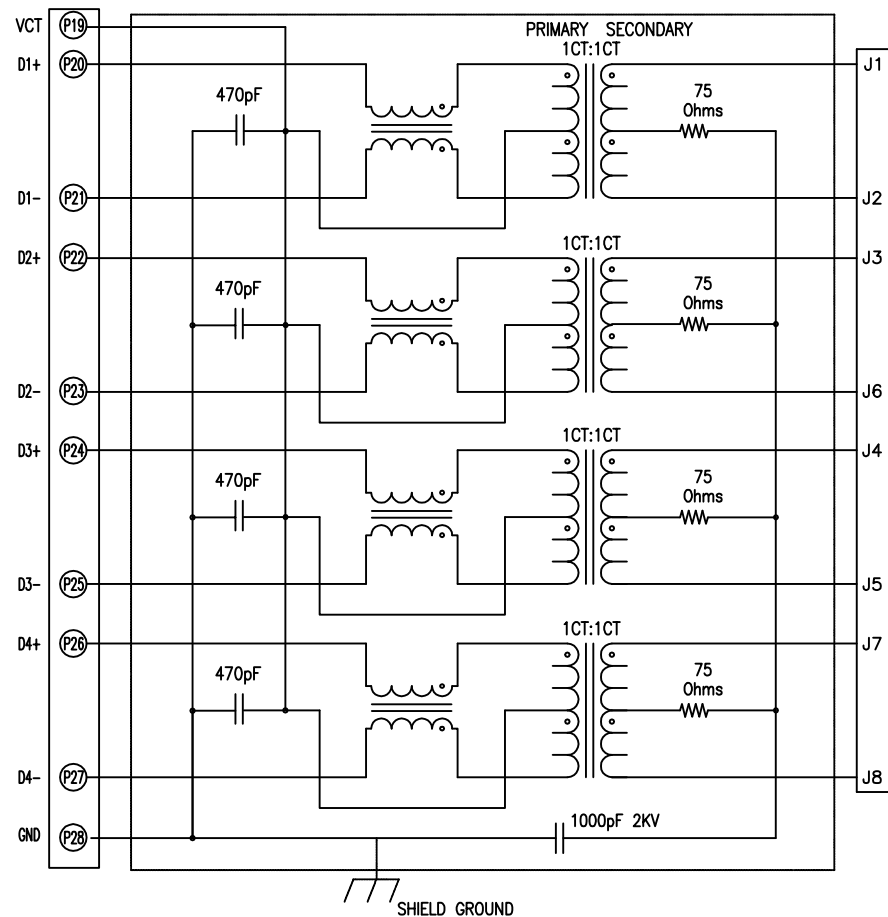
*
MATERIAL:
H: HALOGEN FREE
F: LEAD FREE/WITH HALOGEN

X. ±	X. ° ±	UNITS	NAME<INTENDED USE>	FOXCONN® FOXCONN INTERCONNECT TECHNOLOGY LIMITED.						
.X ±	.X ° ±	MAT'L N/A	CUSTOMER							
.XX	.XX ° ±	FINISH N/A	PART NO.<INTENDED USE> JFM38U1*-B313-4F JFM38U1*-B313-4H	CLASS: <input type="checkbox"/> CONFIDENTIAL <input type="checkbox"/> SECRET <input checked="" type="checkbox"/> GENERAL						
.XXX ±	.XXX ° ±		APPD: ARTHUR.H 04/07'15	TITLE: RJ45 MODULE JACK W/LEDS OVER STACKED USB RECEPTACLE	DWG NO: 305-0000-5057					
THESE DRAWINGS AND SPECIFICATIONS ARE THE PROPERTY OF FOXCONN INTERCONNECT TECHNOLOGY LIMITED AND SHALL NOT BE REPRODUCED, COPIED OR USED IN ANY MANNER WITHOUT THE PRIOR WRITTEN CONSENT OF FOXCONN INTERCONNECT TECHNOLOGY LIMITED.			CHKD: FEI LI 04/07'15	 <table border="1"> <tr> <td>SCALE</td> <td>SHEET</td> <td>REV.</td> </tr> <tr> <td>N/A</td> <td>3/7</td> <td>AX7</td> </tr> </table>	SCALE	SHEET	REV.	N/A	3/7	AX7
			SCALE		SHEET	REV.				
N/A	3/7	AX7								
			DR: BHAISU 04/07'15							

SCHEMATIC

PHY SIDE

CABLE SIDE



NOTES UNLESS OTHERWISE SPECIFIED

ALL SHIELDING PINS TO BE CONNECTED TO SHELL GROUNDING.

ELECTRICAL SPECIFICATIONS @ 25°C:

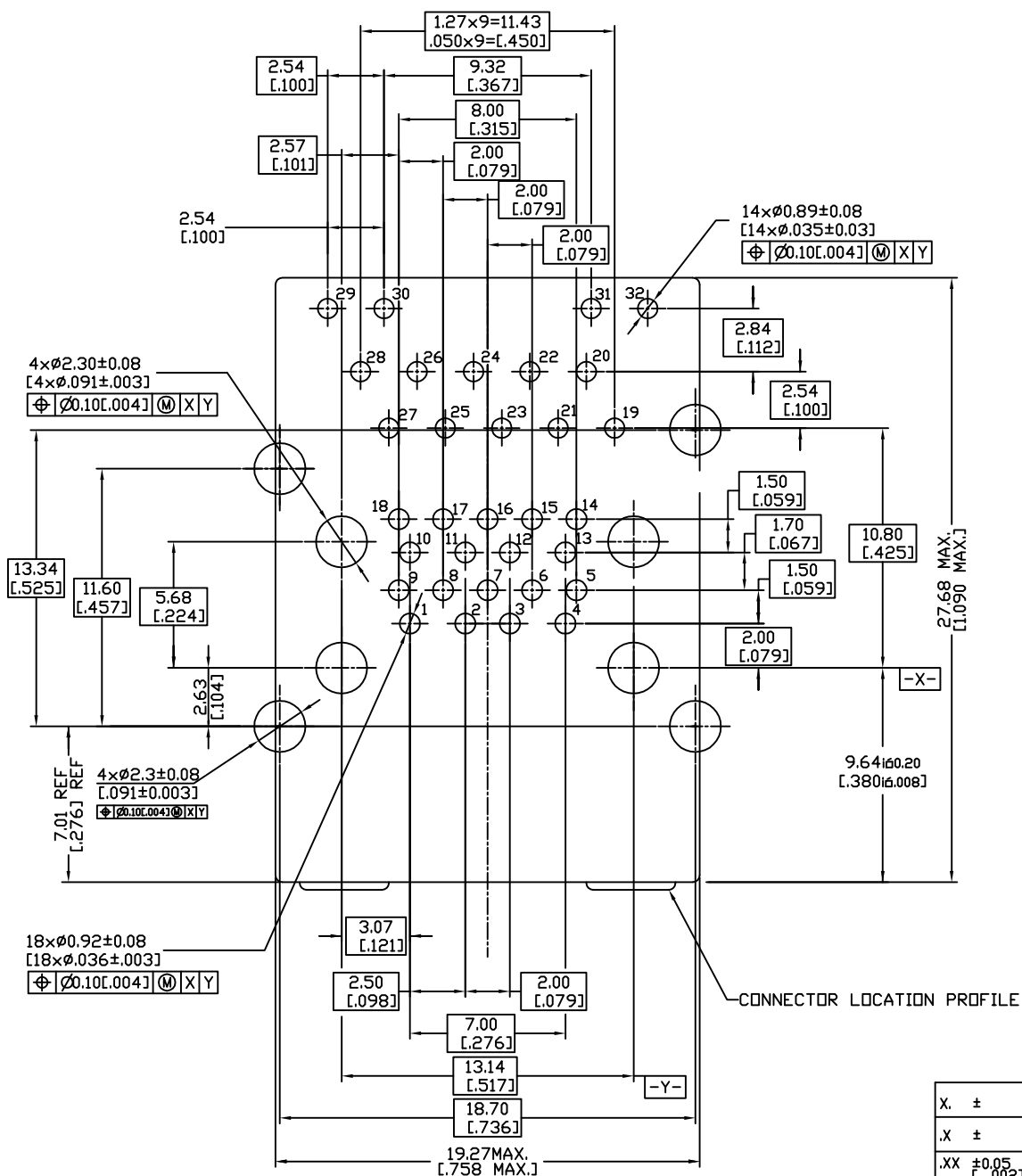
- INSERTION LOSS -1.2dB MAX. @ 1-100MHZ;
- RETURN LOSS -18dB MIN. @ 1 -40MHZ;
- 12+20log(f/80)dB MIN. @ 40-100MHZ;
- CMRR -30dB MIN. @ 1-100MHZ;
- CROSSTALK -30dB MIN. @ 1-100MHZ.
- HI-POT<ISOLATION VOLTAGE> 1500 VRMS
- URNS RATIO:
 - PRIMAR VS SECONDARY 1CT : 1CT ±3%
 - PRIMARY INDUCTANCE<OCL> @ 100KHz/100mVRMS
 - 8mA DC BIAS<P10-P11>,<P12-P13>,<P14-P15>,<P16-P17> 350 uH MIN.

JFM38U1S-B313-4*	NONE	31 YELLOW	32
JFM38U1M-B313-4*	29 YELLOW	31 ORANGE	32 GREEN
JFM38U1K-B313-4*	29 ORANGE	31 GREEN	32 ORANGE
JFM38U1J-B313-4*	29 GREEN	31 GREEN	32 ORANGE
JFM38U1H-B313-4*	29 ORANGE	31 GREEN	32
JFM38U1G-B313-4*	29 YELLOW	31 GREEN	32 ORANGE
JFM38U1F-B313-4*	29 GREEN	31 ORANGE	32 GREEN
JFM38U1B-B313-4*	29 GREEN	31 YELLOW	32 ORANGE
JFM38U1A-B313-4*	29 GREEN	31 YELLOW	32 GREEN
JFM38U14-B313-4*	29 YELLOW	31 YELLOW	32
JFM38U13-B313-4*	29 GREEN	31 YELLOW	32
JFM38U12-B313-4*	29 GREEN	31 GREEN	32
JFM38U11-B313-4*	29 YELLOW	31 GREEN	32
JFM38U10-B313-4*	NONE	NONE	
PART NO.	LED1	LED2	

X. ±	X. ° ±	UNITS	NAME<INTENDED USE>	FOXCONN®
.X ±	.X ° ±	MAT'L	CUSTOMER	FOXCONN INTERCONNECT TECHNOLOGY LIMITED.
.XX ±	.XX ° ±	N/A	PART NO.<INTENDED USE>	CLASS: <input type="checkbox"/> CONFIDENTIAL <input type="checkbox"/> SECRET <input type="checkbox"/> GENERAL
.XXX ±	.XXX ° ±	FINISH	JFM38U1*-B313-4F JFM38U1*-B313-4H	TITLE: RJ45 MODULE JACK W/LEDS OVER STACKED USB RECEPTACLE
THESE DRAWINGS AND SPECIFICATIONS ARE THE PROPERTY OF FOXCONN INTERCONNECT TECHNOLOGY LIMITED AND SHALL NOT BE REPRODUCED, COPIED OR USED IN ANY MANNER WITHOUT THE PRIOR WRITTEN CONSENT OF FOXCONN INTERCONNECT TECHNOLOGY LIMITED.			APPD: ARTHUR.H 04/07'15	DWG NO: 305-0000-5057
Q'TY			CHKD: FEI LI 04/07'15	SCALE SHEET REV.
N/A			DR: BHAISU 04/07'15	N/A 4/7 AX7

USB 3.0 STANDARD-A CONNECTOR PIN ASSIGNMENTS

PIN NUMBER	SIGNAL NAME	DESCRIPTION
1 10	VBUS	POWER
2 11	D-	USB 2.0 DIFFERENTIAL PAIR
3 12	D+	
4 13	GND	GROUND FOR POWER RETURN
5 14	StdA_SSRX-	SUPERSPEED RECEIVER DIFFERENTIAL PAIR
6 15	StdA_SSRX+	
7 16	GND_DRAIN	GROUND FOR SIGNAL RETURN
8 17	StdA_SSTX-	SUPERSPEED TRANSMITTER DIFFERENTIAL PAIR
9 18	StdA_SSTX+	



CONNECTOR LOCATION PROFILE

RECOMMENDED P.C.B. LAYOUT
TOP VIEW (COMPONENT SIDE)

X. ±	X. ° ±	UNITS ^{mm} [INCH]	NAME (INTENDED USE)	FOXCONN® FOXCONN INTERCONNECT TECHNOLOGY LIMITED.
.X ±	.X ° ±	MAT'L	CUSTOMER	
.XX ±0.05 [0.02]	.XX ° ±	N/A	PART NO. (INTENDED USE) JFM38U1*-B313-4F JFM38U1*-B313-4H	CLASS: <input type="checkbox"/> CONFIDENTIAL <input type="checkbox"/> SECRET <input checked="" type="checkbox"/> GENERAL
.XXX ±	.XXX ° ±	FINISH	APPD: ARTHUR.H 04/07'15	TITLE: R/M5 MODULE JACK W/LEDS OVER STACKED USB RECEPTACLE
THESE DRAWINGS AND SPECIFICATIONS ARE THE PROPERTY OF FOXCONN INTERCONNECT TECHNOLOGY LIMITED AND SHALL NOT BE REPRODUCED, COPIED OR USED IN ANY MANNER WITHOUT THE PRIOR WRITTEN CONSENT OF FOXCONN INTERCONNECT TECHNOLOGY LIMITED.			Q'TY	DWG NO: 305-0000-5057
			N/A	CHKD: FEI LI 04/07'15 DR: BHAI.SU 04/07'15
				SCALE SHEET REV. N/A 5/7 AX7

