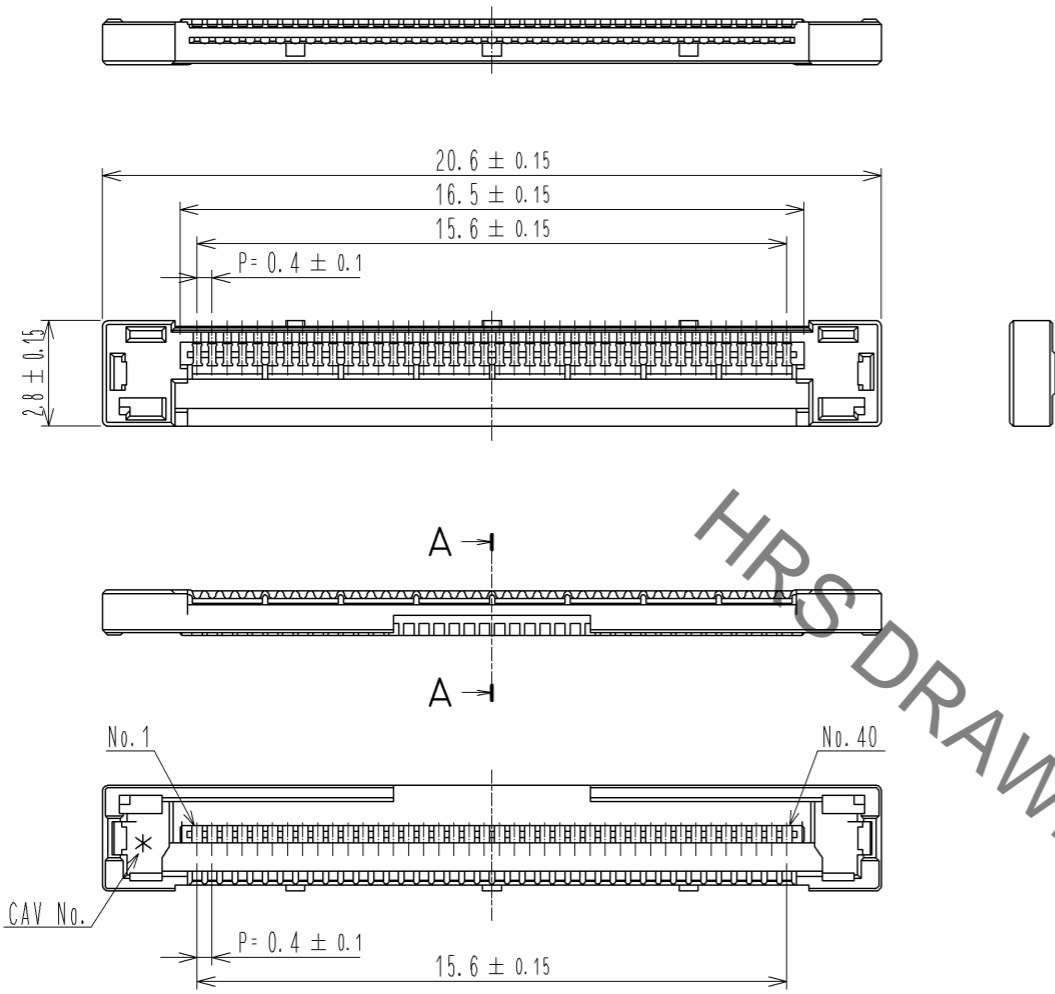
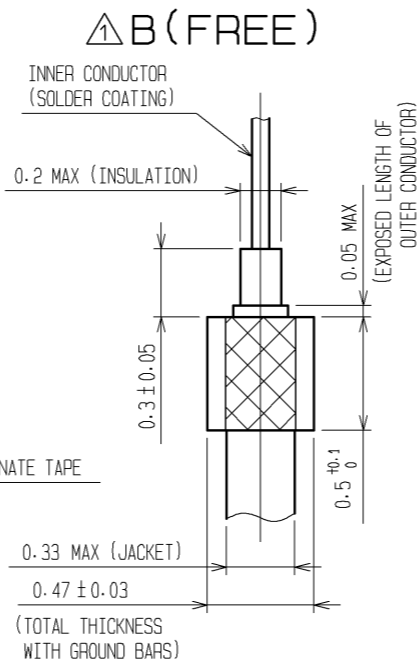
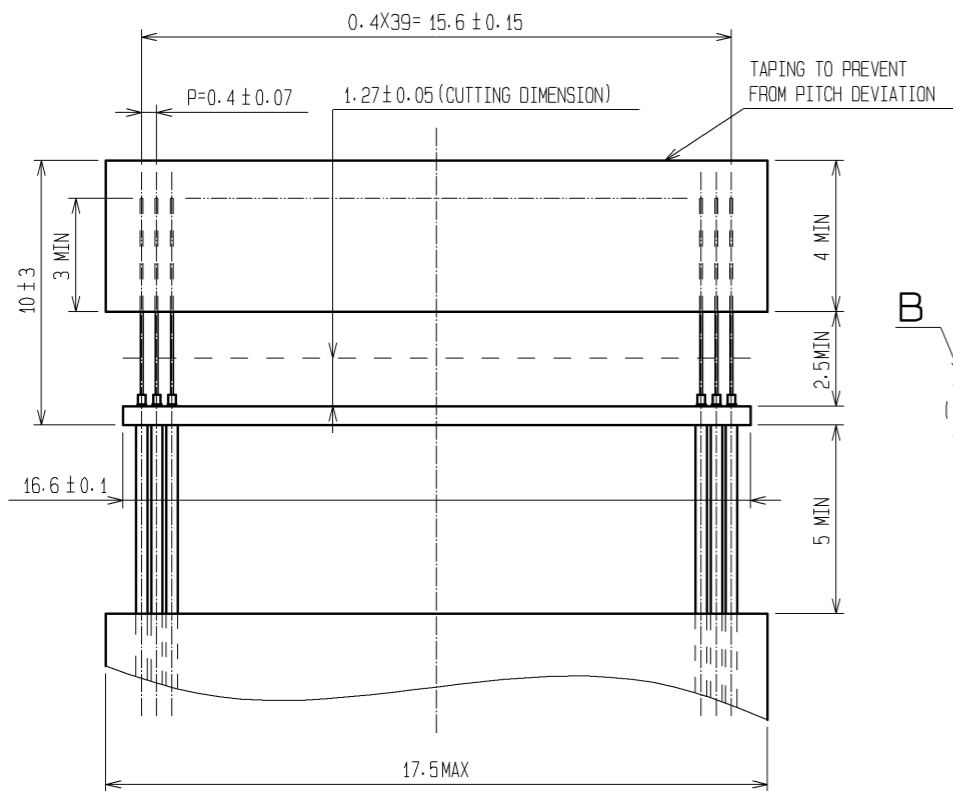


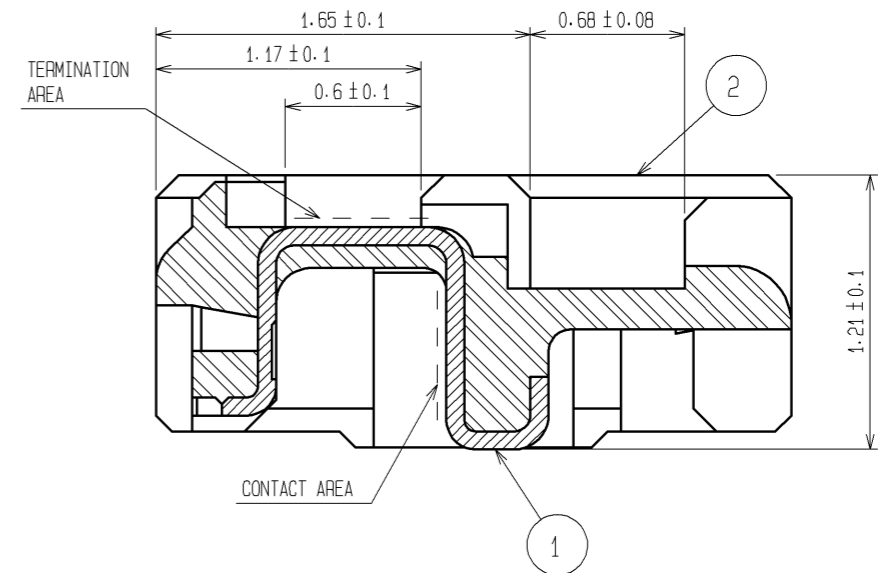
Apr.1.2022 Copyright 2022 HIROSE ELECTRIC CO., LTD. All Rights Reserved.
In case of consideration for using Automotive equipment / device which demand high reliability, kindly contact our sales window correspondents.



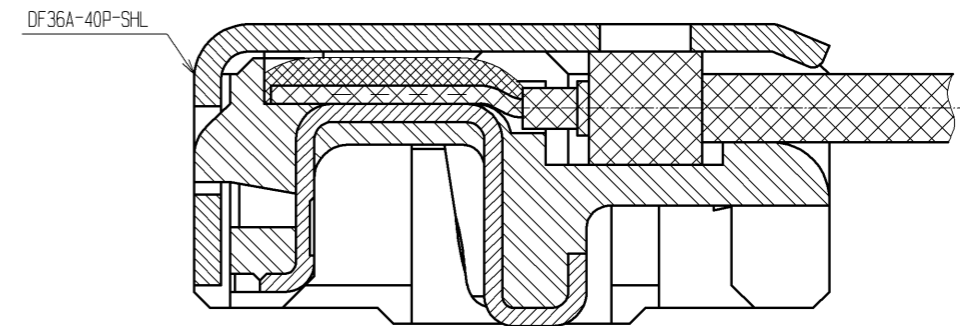
RECOMMENDED CABLE SUBASSEMBLY



△ A-A (FREE)



△ CABLE TERMINATION FIGURE (FREE)



- NOTES 1. APPLICABLE CABLE: THIN COAXIAL CABLE (AWG#42~AWG#46)
 2. THIS CONNECTOR IS NOT HOT PLUGGABLE. MATE AND UNMATE WHILE THE POWER IS OFF.
 3. THE ASSEMBLY IS COMPLETED BY COMBINING TWO PARTS (CONNECTOR UNIT, AND METAL SHIELDING). REFER TO THE TABLE FOR EACH ITEM No., PART NAME, PART No. AND CODE No.

ITEM No.	PART NAME	PART No.	CODE No.
1, 2	CONNECTOR UNIT	DF36-40P-0.4SD(51)	CL662-4002-3-51
-	METAL SHIELDING	DF36A-40P-SHL	CL662-4013-0-00 △ (ITEM CHANGE)

4. BLACK MARKS MAY OCCASIONALLY OCCUR IN MOLD RESIN, YET THEY DO NOT AFFECT CONNECTOR QUALITY.

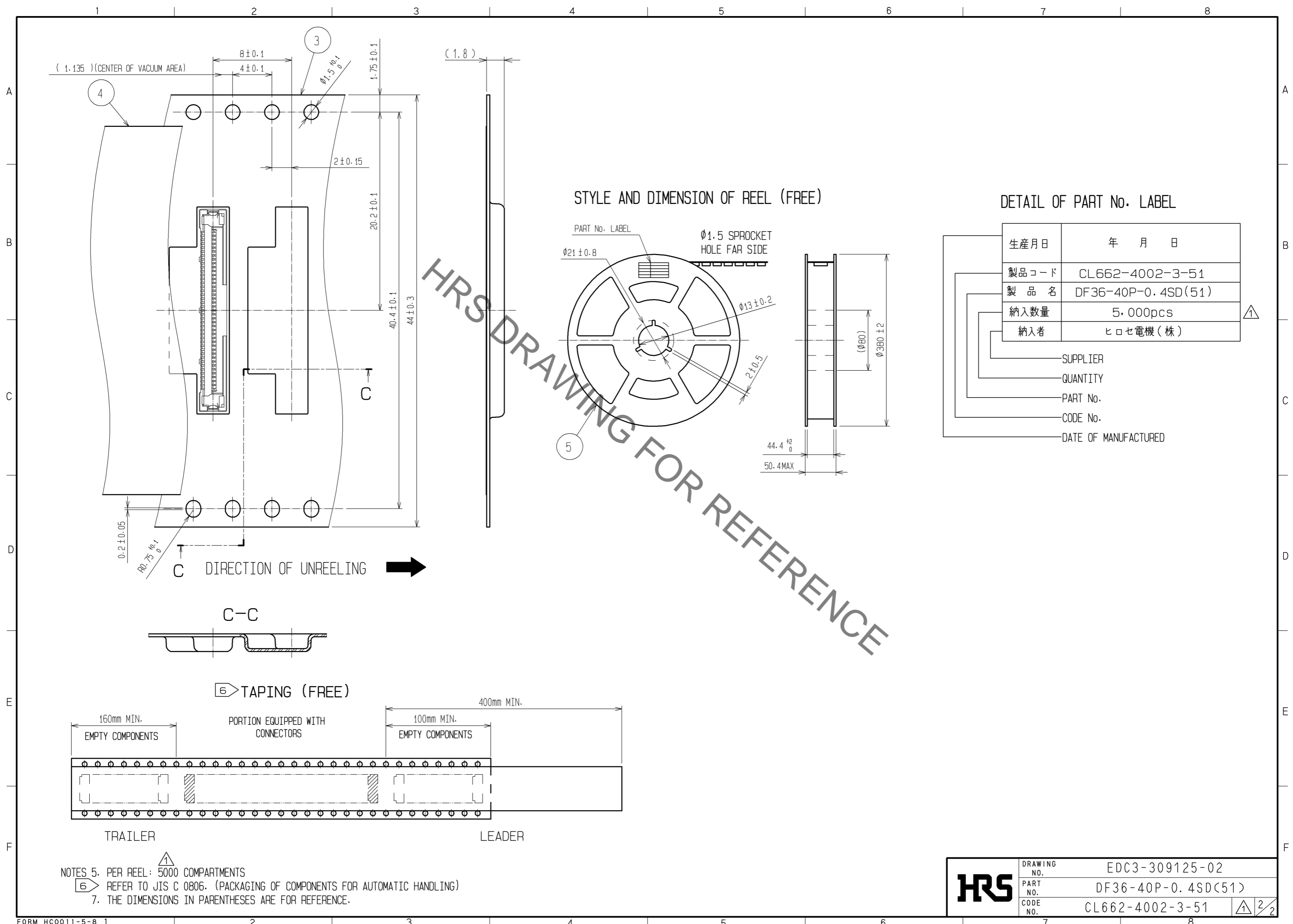
NO.	MATERIAL	FINISH	REMARKS	NO.	MATERIAL	FINISH	REMARKS
1	PHOSPHOR BRONZE	CONTACT AREA : Au PLATING 0.1μm min TERMINATION AREA : Au PLATING 0.1μm min UNDER PLATING : Ni PLATING 1μm min		5	PS		BLACK
				4	POLYESTER		CLEAR
				3	PS		CLEAR
				2	LCP		UL94V-0

UNITS	SCALE	COUNT	DESCRIPTION OF REVISIONS	DESIGNED	CHECKED	DATE
mm	5 : 1	7	DIS-H-003440	SI. ISHII	HK. UMEHARA	08.11.06

APPROVED	DESIGNED	DRAWING NO.
TS. SAKATA 08.09.02	SI. ISHII	EDC3-309125-02
CHECKED	DESIGNED	PART NO.
HK. UMEHARA 08.09.02	HY. SHIOZAWA 08.09.02	DF36-40P-0.4SD(51)
DRAWN	DESIGNED	CODE NO.
SI. ISHII 08.09.01	SI. ISHII 08.09.01	CL662-4002-3-51

HRS DRAWING FOR REFERENCE ONLY

Apr.1.2022 Copyright 2022 HIROSE ELECTRIC CO., LTD. All Rights Reserved.
 In case of consideration for using Automotive equipment / device which demand high reliability, kindly contact our sales window correspondents.



STYLE AND DIMENSION OF REEL (FREE)

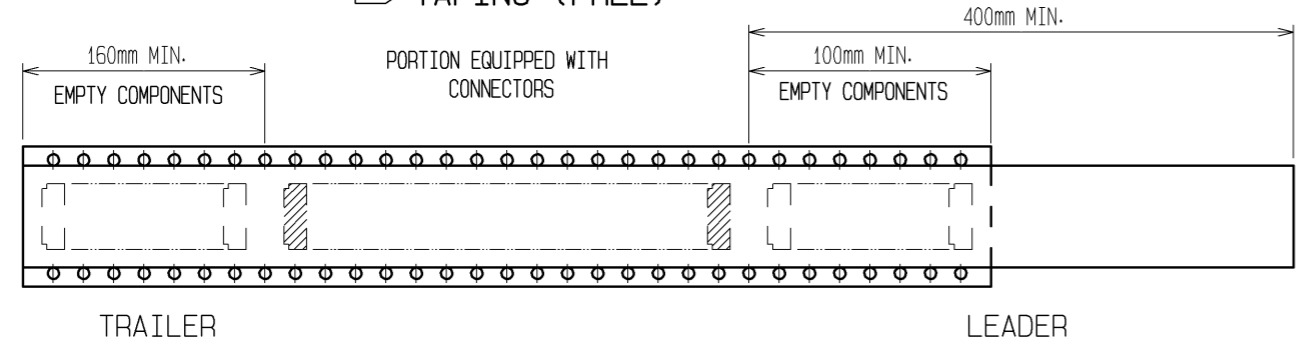
DETAIL OF PART No. LABEL

生産月日	年 月 日
製品コード	CL662-4002-3-51
製品名	DF36-40P-0.4SD(51)
納入数量	5,000pcs
納入者	ヒロセ電機(株)

_____ SUPPLIER
 _____ QUANTITY
 _____ PART No.
 _____ CODE No.
 _____ DATE OF MANUFACTURED

HRS DRAWING FOR REFERENCE

⑥ TAPING (FREE)



- NOTES
- PER REEL: 5000 COMPARTMENTS
 - REFER TO JIS C 0806. (PACKAGING OF COMPONENTS FOR AUTOMATIC HANDLING)
 - THE DIMENSIONS IN PARENTHESES ARE FOR REFERENCE.

HRS	DRAWING NO.	EDC3-309125-02
	PART NO.	DF36-40P-0.4SD(51)
	CODE NO.	CL662-4002-3-51
		① ②