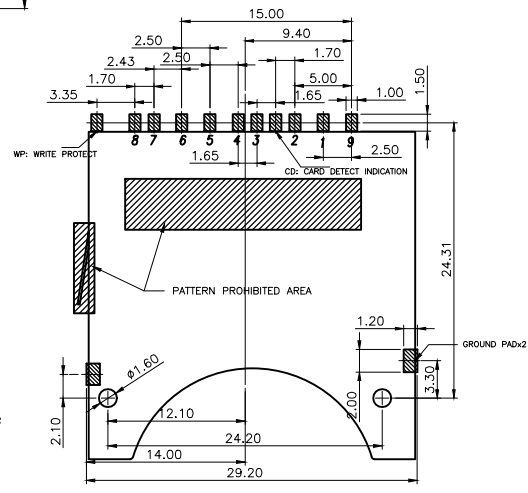
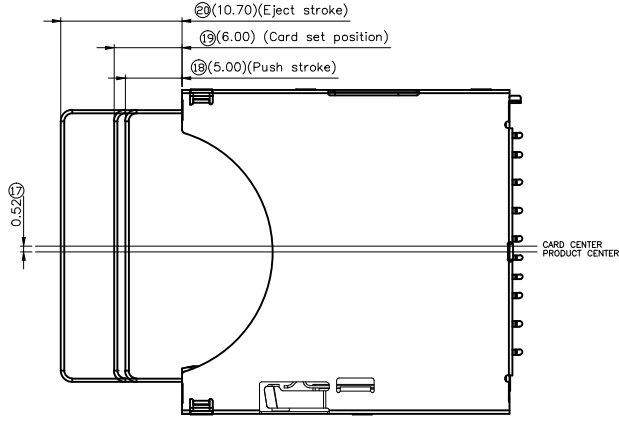
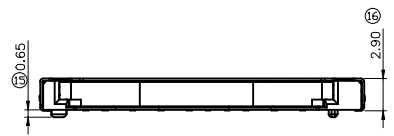
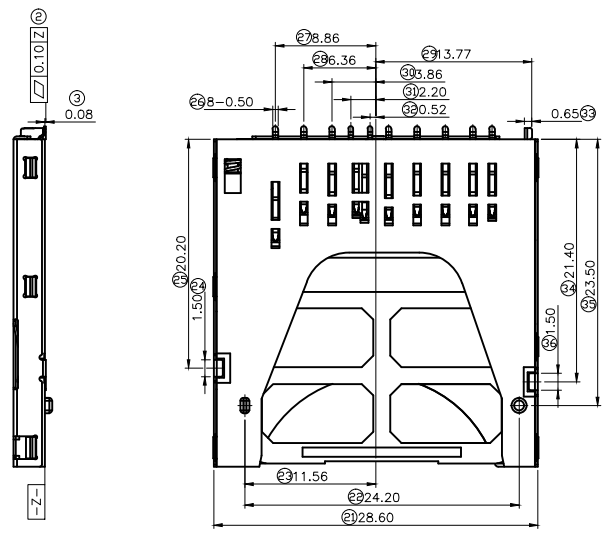
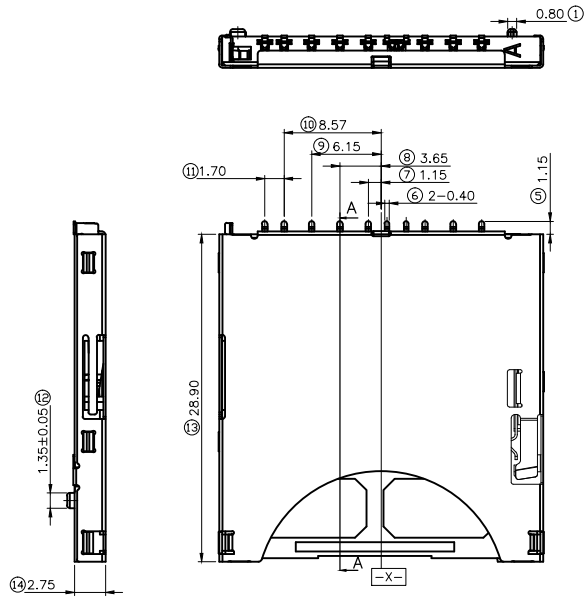


REV	DATE	ECN NO.	MODIFICATION	APPROVER
A	2021.05.13	/	NEW	Jason

SPECIFICATION

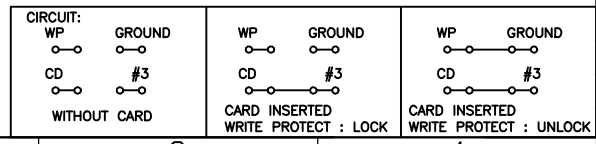
1.Material:
 Insulator: LCP, rated UL94V-0,color:black.
 Contacts: Phosphor Bronze,
 Tin 160u" at Solder Tail,
 Selected Gold 3u" on Contact Area Plating.
 Ground:Phosphor Bronze,Tin 160u".
 Shell: Stainless. Pickling

2.Electrical Characteristics:
 Operating voltage : 100V AC(rms)/DC.
 Current rating : 0.5 A.
 Operating Temperature: -40°C~+90°C.
 Insulation resistance: 1000M ohms min. at 250VDC
 Dielectric withstanding voltage:500 VAC/1minute.
 Contact resistance: 100m ohms max.
 Mating cycle: 10000 cycles at the speed rate of
 400-600 cycles/h; Without distortion of plastic
 and serious wear and tear in terminal, No signal break.



**RECOMMENDED PCB LAYOUT
 (ALL TOLERANCE ARE ±0.05)**

Pin No.	SD	MMC
P1	MMC-DAT3 SD-CD/DAT3	1P 1P
P2	MMC-CMD SD-CMD	2P 2P
P3	MMC-VSS1 SD-VSS1	3P 3P
P4	MMC-VDD SD-VDD	4P 4P
P5	MMC-CLK SD-CLK	5P 5P
P6	MMC-VSS2 SD-VSS2	6P 6P
P7	MMC-DAT0 SD-DAT0	7P 7P
P8	SD-DAT1	8P
P9	SD-DAT2	9P



GENERAL TOLERANCE				UNITS mm
SELECT	✓			
TOL	1	2	3	MAT'L
DN.				
X.XXX	±0.10	±0.05	±0.15	FINISH
X.XX	±0.15	±0.13	±0.25	
X.X	±0.20	±0.25	±0.5	
X.	±0.30	±0.38	±1.00	Q'TY
ANGLE	±2°			

NAME: SD PUSH PUSH conn.
PART NO: SD01A-01220
APPD: Jason
CHKD: Abel
DR: Ming

ATOM 深圳市爱特姆科技有限公司
 SHENZHEN ATOM TECHNOLOGY CO., LTD.

TITLE: SD CARD PUSH-PUSH 带锁卡功能 内焊带假卡

DWG NO. ATOM-A05900

SCALE	SHEET	REV
1:1	1/1	A