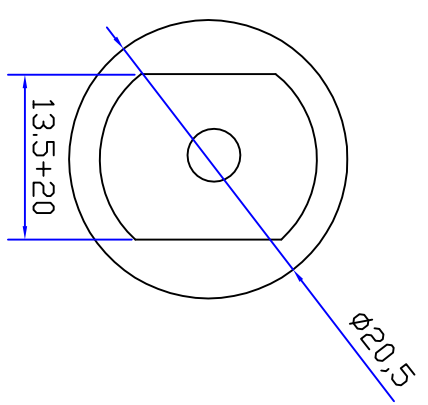
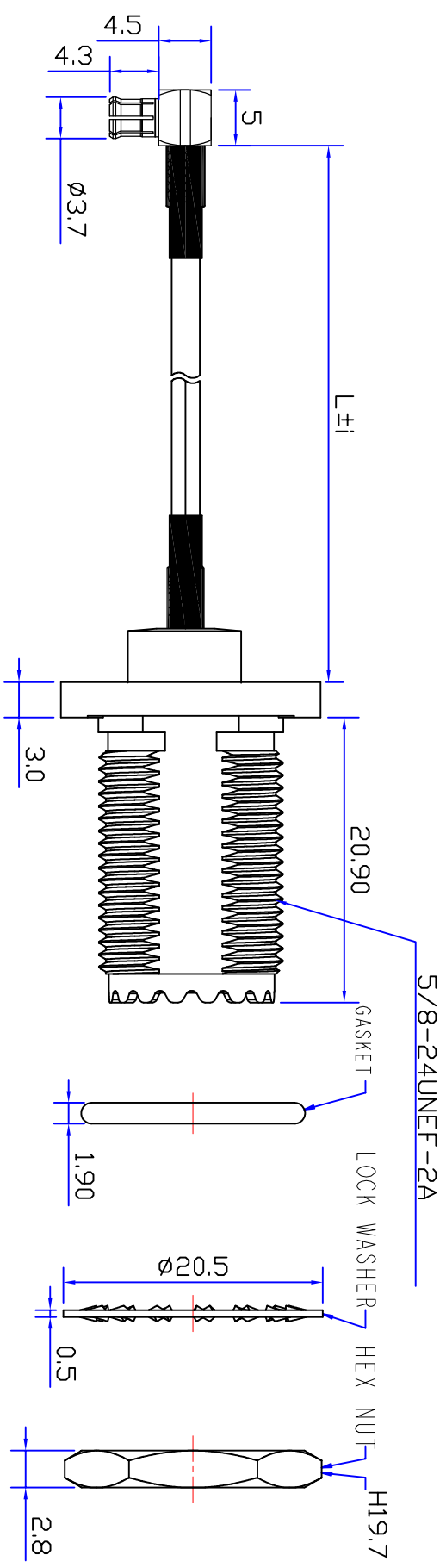


Customer NO: DOSIN-811-0366		DWN	DATE	APPROVEN
REV	DESCRIPTION	Mr. CHEN	2017/6/17	John Kine
A	First Issue	Zelin Zhang	2021/10/06	John Kine
B	ADD:0366B, 0366C			



PRODUCT NO:	SIZE(L)	Tolerance(I)
DOSIN-811-0366A	230mm	8mm
DOSIN-811-0366B	120mm	5mm
DOSIN-811-0366C	300mm	8mm

6	GASKET	SILICONE	RFD	1
5	HEX NUT	BRASS	NICKEL	1
4	LOCK WASHER	BRASS	NICKEL	1
3	MCX PLUG R/A	BRASS	GOLD	1
2	CABLE	RG316	BROWN	1
1	UHF JACK	BRASS	NICKEL	1
	DESCRIPTION	MATERIAL	FINISH	QTY

NOTE:		Tolerance	X. X X. X X. XX	±0.15 ±0.10 ±0.05
DRAWN	Zelin Zhang	View	Angular	±5°
CHECKED		UNIT	MM	
APPROVALS	John Kine	SCALE	1:1	

DOSIN *Dosin Industrial (HK) Co, Ltd*
 东莞市德泰五金电子有限公司
Dosin Hardware Electronics Co, Ltd
 Name: UHF JACK TO MCX PLUG R/A, RG316 CABLE
 Product NO. DOSIN-811-0366
 CAD FILE H/company drawings/BD
 E-mail: dosin2005@163.com
 dosin2005@dosing-china.com
 Web: http://www.dosing.com
 TEL: (0086) 769-81153906
 FAX: (0086) 769-81875836
 SHEET: 1 OF 1