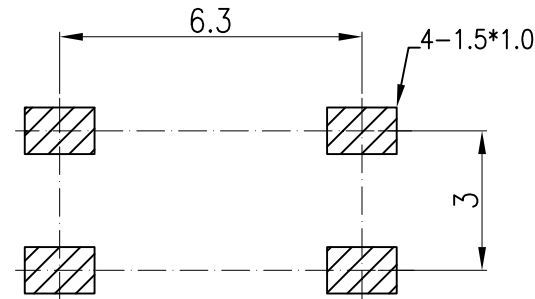
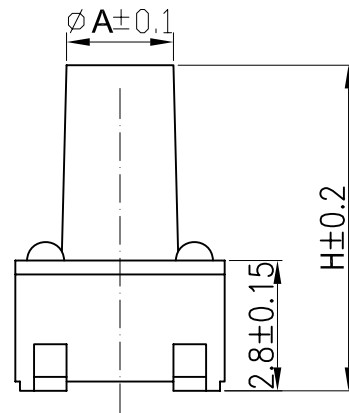
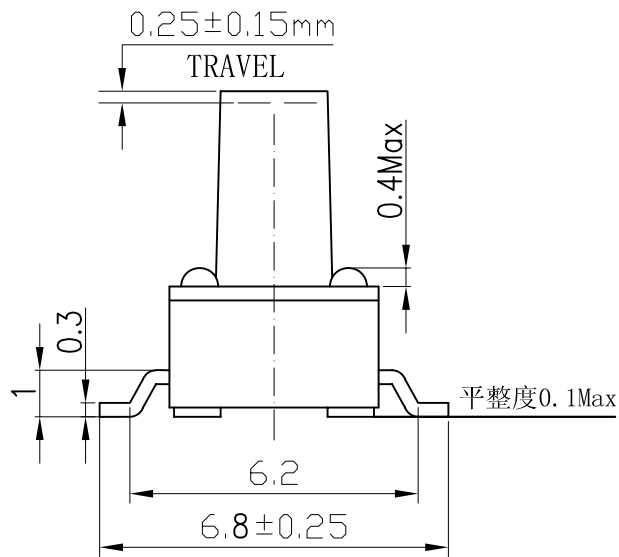
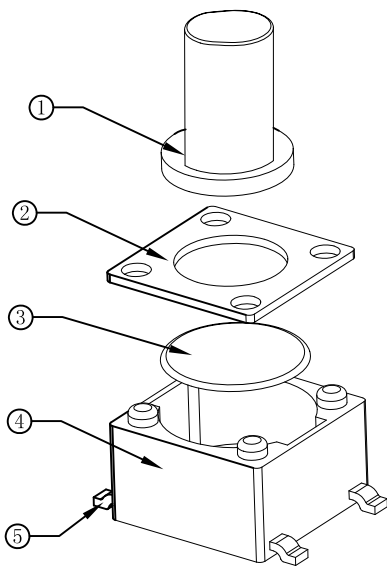
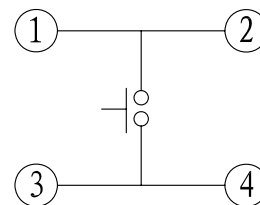


RoHS  
REACH



PCB线路板安装图(±0.1)

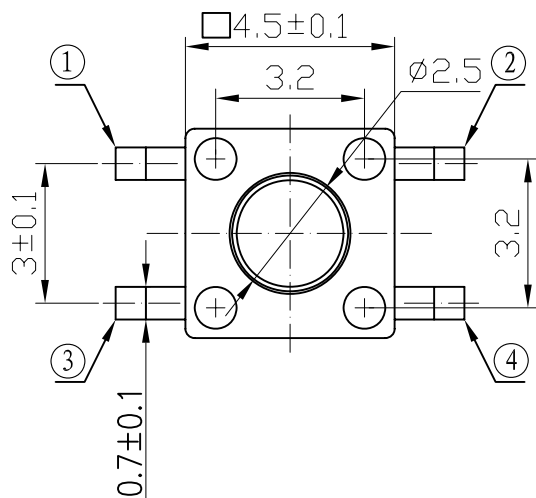


电路图

技术参数:

1. 做用温度: -25~+85°C;
2. 额定负荷: DC 12V 50mA;
3. 接触电阻: ≤50mΩ;
4. 绝缘电阻: ≥100MΩ;
5. 耐 压: AC250V(50Hz)/min;
6. 动 作 力: 180g±50g;
7. 使用寿命: 100000次;
8. 未注尺寸公差参照下面表格。

A	H(高度)
ø2.5	3.8
ø2.5	4.3
ø2.5	4.5
ø2.3	4.8
ø2.3	5.0
ø2.2	6.0
ø2.2	7.0
ø2.1	8.0



序号	零件名称	材料规格	表面处理	数量	备注
5	接触脚	黄铜	镀银0.2um	1	
4	基座	PPA (黑色)	——	1	
3	簧片	不锈钢	Ag/Ni 0.2um	1	
2	盖板	冷轧钢带	铜锡2.0um	1	
1	按钮	PPA (黑色)	——	1	

未注尺寸公差(mm)			
0~3	±0.05	±0.10	±0.20
>3~6	±0.05	±0.10	±0.30
>6~30	±0.10	±0.20	±0.50
>30~120	±0.15	±0.30	±0.80
角 度		±1°	

设计	
审核	
标准化	
批准	

图面	A4
单位	MM
比例	
重量	
页码	1/1
版次	A/0

产品名称: 轻触开关
产品型号: TD-10XA-□□
产品图号: 4.5*4.5贴片6.8间距
HAOFU ELECTRONICS TECHNOLOGY CO.,LTD

# TACT SWITCH SPECIFICATION( 轻触开关说明书 )

## 1. General specification 基本说明

**1.1 Scope 范围** This specification covers the requirements for single key switches which have no keytop (TACT SWITCHES:MECHANICAL CONTACT ). 此规范含盖单推柄和无推柄的轻触开关要求。

**1.2 Operating Temperature Range 使用温度范围**  
-20 to 70 °C (normal humidity, normal press). 正常湿度, 标准压力

**1.3 Storage Temperature Rang 保存温度范围**  
-20 to 80 °C (normal humidity, normal press).

### 1.4 Test Conditions 测试条件

Tests and measurements shall be made in the following standard cnditions unless otherwise specified:  
测试和计量按下列标准条件除非特殊说明

Normal temperature (temperature 5 to 35°C) 标准温度

Normal humidity (relative humidity 45 to 85%) 正常湿气

Normal pressure (pressure 860 to 1060 mbars ) 标准压力

In case any question arises from the judgement made, tests shall be conducted in the following conditions :

Temperature (20±2°C) 温度

Relative humidity (65±5%) 相对湿度

Pressure (860 to 1060 mbars) 压力

## 2. APPEARANCE, STYLE, AND DIMENSIONS 外形, 类型和尺寸

### 2.1 Appearance 外形

There shall be no defects that affect the serviceability of the product 外形必须无缺陷才不影响产品适用性

### 2.2 Style and Dimensions 类型和尺寸

Shall conform to the assembly drawings. 符合装配图

## 3. TYPE OF ACTUATION 动作类型

Tactile feedback 轻触返回

## 4. CONTACT ARRANGEMENT 1 poles 1 throws 接触形式 1 接点 1 回路

(Details of contact arrangement are given in the assembly drawings).

细接点形式在装配图中

## 5. MAXIMUM RATINGS DC 12 V 10 mA 最大额定值

						APPD	CHKD	DSGD	TD-10XA-4.5	
									1/7	
ZONE	SYMB	DATE	APPD	CHKD	DSGD					

# TACT SWITCH SPECIFICATION( 轻触开关说明书 )

## 6.2 Mechanical 机械特性

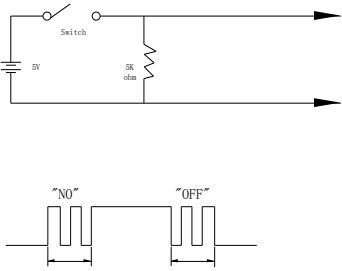
Item 项目	Test Condition 试验条件	Requirements 规格
<b>6.2.1.</b> Actuating Force 动作力	Placing the switch such that the direction of switch operation is vertical and then gradually increasing the load applied to the center of the stem, the maximum load required for the stem to come to a stop shall be measured.  开关的动作方向为垂直放置开关向推柄中心逐渐增加负荷直到推柄停止时所测量的最大负荷	160gf±50 gf
<b>6.2.2.</b> Travel 行程	Placing the switch such that the direction of switch operation is vertical and then applying a static load twice the actuation force to the center of the stem, the travel distance for the stem to come to a stop shall be measured.  开关的动作方向为垂直放置开关，在已有行程的推柄中心向上减小压力，推柄回到自由位置时所测量到的力	0.2±0.1mm
<b>6.2.3.</b> Return Force 返回力	The sample switch is installed such that the direction of switch operation is vertical and, upon depression of the stem in its center the whole travel distance ,the force of the stem to return to its free position shall be measured.  开关的动作方向垂直放置开关，在已有行程的推柄中心向上减小压力，推柄回到自由位置时所测量到的力	80gf min
<b>6.2.4.</b> Stop Strength 静止强度	Placing the switch such that the direction of switch operation is vertical, a static load of <u>3</u> kgf shall be applied in the direction of stem operation for a period of <u>60</u> seconds.  开关的动作方向为垂直放置开关，在推柄动作方向施加 3 KG 的静负荷，60 秒时间	There shall be no sign of damage mechanically and electrically  无机械的和电气的损伤迹象
<b>6.2.5.</b> Stem Strength 推柄的强度	Placing the switch such that the direction of switch operation is vertical, the maximum force to withstand a pull applied oppsite to the direction of stem operation shall be measured.  开关的动作方向为垂直放置开关从推柄动作方向反方向施加拉力所测量到的最大承受力	3 kgf

						APPD	CHKD	DSGD	TD-10XA-4.5	
									2/7	
ZONE	SYMB	DATE	APPD	CHKD	DSGD				2/7	

# TACT SWITCH SPECIFICATION( 轻触开关说明书 )

## 6.PERFORMANCE 性能

### 6.1 Electrical 电气

Item 项目	Test Condition 试验条件	Requirements 要求
<b>6.1.1.</b> Contact Resistance 接触电阻	Applying a static load twice the actuating force to the center of the stem, measurements shall be made with a 1 kHz small-current contact resistance meter. 用两倍的动作用力作静负载施加于按钮的中心, 并用 1 千赫小电流接触电阻仪测量	<u>100</u> mΩmax.
<b>6.1.2.</b> Insulation Resistance 绝缘电阻	Measurements shall be made following application of <b>DC 100 V</b> potential across terminals and across terminals and frame for one minute. 在端子之间, 端子与外壳之间施加 DC100V, 一分种	<u>100</u> MΩmin
<b>6.1.3.</b> Dielectric Withstanding voltage 电气耐压	AC250V (50Hz or 60Hz) shall be applied across terminals and across terminals and frame for one minute. 在端子与端子之间, 端子与外壳之间施加 AC250V(50Hz or 60Hz)	There shall be no breakdown 没有击穿
<b>6.1.4.</b> Bounce 抖动	Lightly striking the center of the stem at a rate encountered in normal use ( 3 to 4 operations per sec ), Bounce shall be tested at "ON" and "OFF" 在正常使用中(以每秒 3-4 次周期)轻轻地在手柄中心加力, 在通与断瞬间测试抖动。  	<u>5</u> m sec max .

						APP	CHKD	DSGD	TD-10XA-4.5
									<b>3/7</b>
ZONE	SYMB	DATE	APPD	CHKD	DSGD				

# TACT SWITCH SPECIFICATION( 轻触开关说明书 )

## 6.3 Environmental 环境

Item 项目	Test Condition 试验条件	Requirements 要求							
<b>6.3.1.</b> Resistance to Low Temperatures 耐低温	Following the test set forth below the sample shall be left in normal temperature and humidity conditions for one hour before measurements are made: 样品按下列条件进行耐低温试验, 测试前在正常温度和湿度条例上放置 1 小时 (1) Temperature: $-30\pm 2^{\circ}\text{C}$ 温度 (2) Time: 96 hours      时间 (3) Water drops shall be removed      擦除水珠	Item 6.1 Item 6.2.1 Item 6.2.2							
<b>6.3.2.</b> Heat Resistance 耐热	Following the test set forth below the sample shall be left in normal temperature and humidity conditions for one hour before measurements are made: 样品按下列条件进行耐热试验, 测试前在正常温度和湿度条件下放置 1 小时 (1) Temperature: $80\pm 10^{\circ}\text{C}$ 温度 (2) Time: 96 hours      时间	Item 6.1 Item 6.2.1 Item 6.2.2							
<b>6.3.3.</b> Moisture Resistance 耐潮湿	Following the test set forth below the sample shall be left in normal temperature and humidity conditions for one hour before measurements are made: 样品按下列条件进行耐潮湿试验, 测试前在正常温度和湿度条件下放置 1 小时 (1) Temperature: $60\pm 2^{\circ}\text{C}$ 温度 (2) Relative humidity: 90 to 95%      相对湿度 (3) Time: 96 hours      时间 (4) Water drops shall be removed      擦除水珠	Contact resistance: 100 m ohm max 接触电阻 Insulation resistance 100 M ohm min. 绝缘电阻 Item 6.1 Item 6.2.1 Item 6.2.2							
<b>6.3.4.</b> Temperature Cycling 温度循环	Following the test set forth below the sample shall be left in normal temperature and humidity conditions for one hour before measurements are made. 样品按下列条件进行温度循环试验, 测试前在正常温度和湿度条件下放置 1 小时 During this test, water drops shall be removed, 在试验期间, 擦除水珠。 <div style="text-align: center;"> </div>	Item 6.1 Item 6.2.1 Item 6.2.2							
	APPD    CHKD    DSGD	TD-10XA-4.5							
ZONE	SYMB	DATE	APPD	CHKD	DSGD	APPD	CHKD	DSGD	4/7



# TACT SWITCH SPECIFICATION( 轻触开关说明书 )

## 7.Conditions for soldering 焊接条件

wave-soldering conditions 波峰焊条件

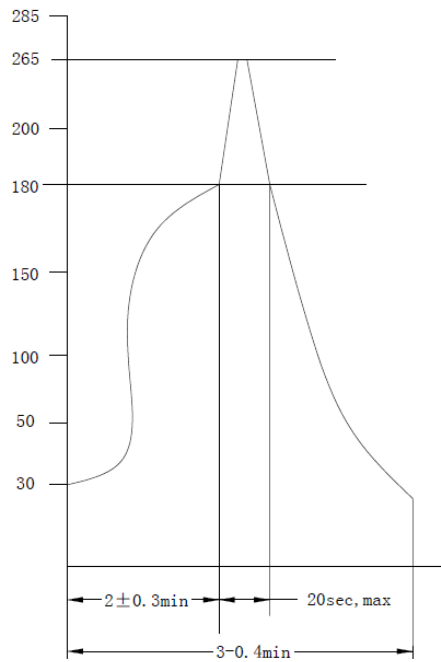
Preheat: Temperature on the copper foil surface should reach 180°C, 2±0.3 minutes after

The P.W. B entered into the soldering equipment

预热：在 P.W.B(印刷线路板)进入焊接设备后，2±0.3 分钟内铜箔表面要达到 180°C

Soldering heat: Temperature on the copper foil surface should reach the peak temperature of 265°C within 20 seconds after the P.W.B entered into soldering heat zone.

焊接温度：在 P.W.B (印刷线路板)进入焊接温区 20 秒内，铜箔表面达到峰值温度 265°C



Time inside soldering Equipment

### Temperature Profile

						APPD	CHKD	DSGD	TD-10XA-4.5	
									6/7	
ZONE	SYMB	DATE	APPD	CHKD	DSGD					

# TACTING SWITCH SPECIFICATION

## 7.1 Other precautions 其他注意事项

**(1) Following the soldering process,do not try to clean the switch with a solvent or the like .**

进行焊接过程中，不可以用溶剂或类似品清洗开关

**(2) Safeguard the switch assembly against flux penetration from its topside.**

防止助焊剂从开关的顶端渗入。

**(3) Please have the products keep in close status and the storage time is 90 days guaranty after delivering the goods at most.**

交货后保证开关处于封密状态并库存时间不超过 90 天以上

						APPD	CHKD	DSGD	TD-10XA-4.5	
ZONE	SYMB	DATE	APPD	CHKD	DSGD				7/7	