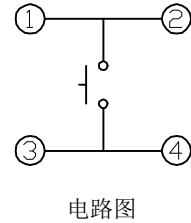
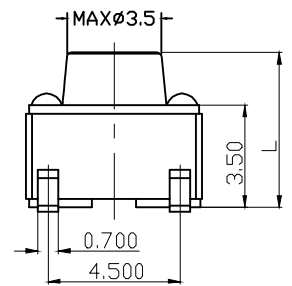
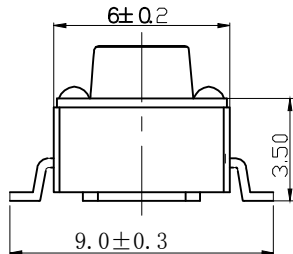
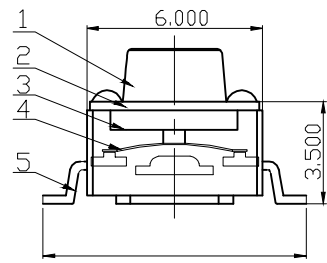
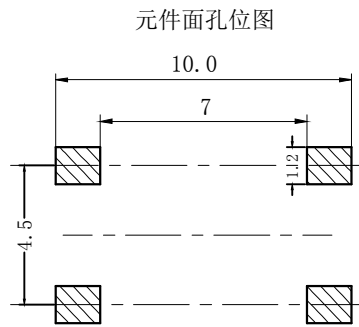
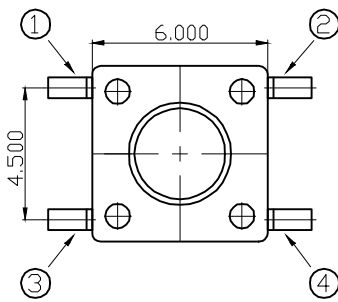


规格型号		
Model NO.	L=	备注
TD-06XA	4.3	±0.1
TD-06XM	4.5	±0.1
TD-06XB	5.0	±0.1
TD-06XC	5.5	±0.1
TD-06XD	6.0	±0.1
TD-06XE	6.5	±0.1
TD-06XF	7.0	±0.1
TD-06XG	7.5	±0.1
TD-06XH	8.0	±0.1
TD-06XI	9.5	±0.1
TD-06XK	10.5	±0.1
TD-06XZ	12.0	±0.1



- 主要技术规格:
1. 额定值: 50mA DC12V
  2. 接触电阻: 50mΩ
  3. 操作力: 260gf±50gf
  4. 行程: 0.25±0.1mm
  5. 绝缘电阻: 100MΩ
  6. 抗电强度: 250V 50HZ 1Min.
  7. 寿命: 10万Cycles



- 材料:
- 1按钮: PPA (黑色)
  - 2盖板: 铁 (镀锡)
  - 3底座: PPA (黑色)
  - 4簧片: 不锈钢 (覆银)
  - 5端子: 黄铜 (镀银)

HAOFU ELECTRONCS TECHNOLOGY CO.,LTD

COPYRIGHT RESERVED,PLEASE DO NOT COPY.

PART NAME		SWITCH		DRAWING	Y,C,ZHANG	DWG.No.	SBICL
PART NO.		TD-06XB		CHECK	G.C.Chen	REV.	A1
UNIT : mm	TOLERANCE OTHERWISE	UP TO 5	±0.2	APPROVAL	SCALE	DATE	PAGE
		ABOVE 5~30	±0.3			1 OF 1	
		ABOVE 30	±0.5		2:1		
		ANGLE	±3°				