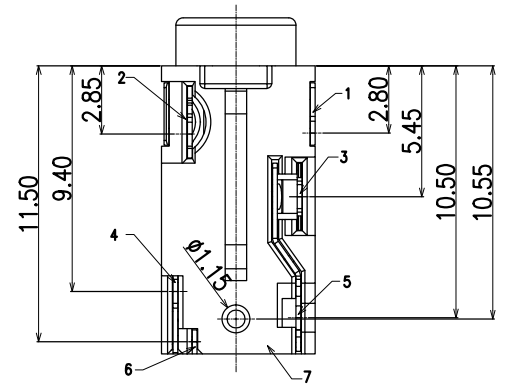
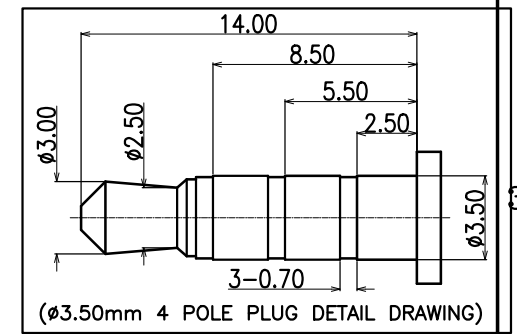
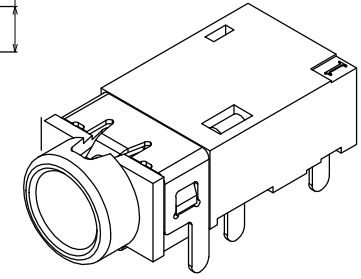
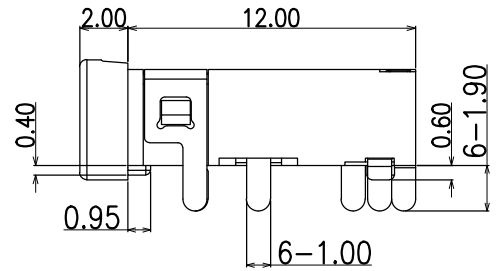
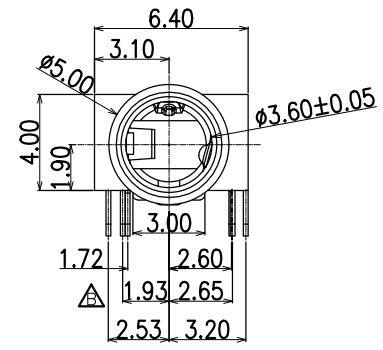
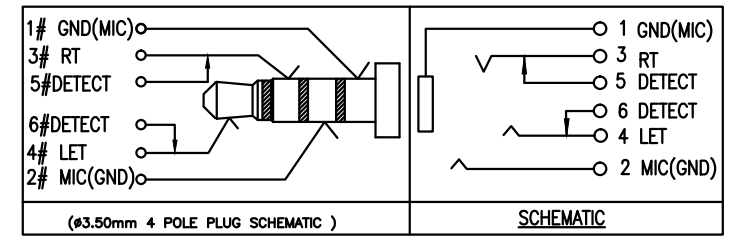
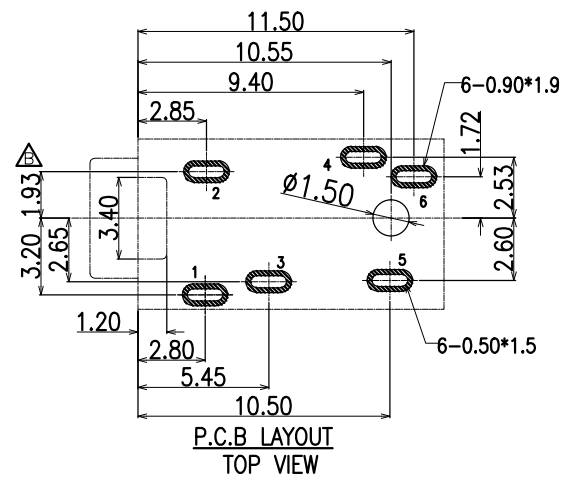
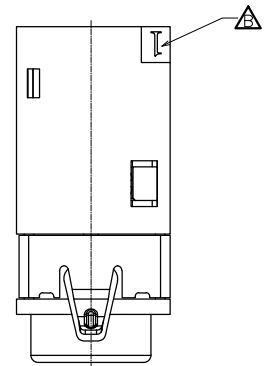


RoHS  
Compliant

- CONTACT CURRENT RATING: 1A.
- CONTACT RESISTANCE: 50 mΩ MAX.;
- INSULATION RESISTANCE: 100MΩ MIN.;
- DIELECTRIC WITHSTANDING: 500V AC MIN.;
- DURABILITY: 5,000 CYCLES MIN.;
- CONNECTOR MATING FORCES: 30N MAX.;
- CONNECTOR UNMATING FORCES: 3N MIN.;



|      |             |      |  |          |
|------|-------------|------|--|----------|
| 7    | HOUSING     | 1    | PPA COLOR BLACK  |          |
| 6    | TERMINAL 6# | 1    | BRASS; NICKEL(40u"MIN.) UNDER PLATING OVERALL,GOLD FLASH PLATING ON SOLDER AREA  | T=0.20mm |
| 5    | TERMINAL 5# | 1    | BRASS; NICKEL(40u"MIN.) UNDER PLATING OVERALL,GOLD FLASH PLATING ON SOLDER AREA  | T=0.20mm |
| 4    | TERMINAL 4# | 1    | STAINLESS STEEL; NICKEL(40u"MIN.)UNDER PLATING OVERALL,GOLD FLASH PLATING ON SOLDER AREA ;GOLD FLASH PLATING ON CONTACT AREA | T=0.20mm |
| 3    | TERMINAL 3# | 1    | PHOSPHOR BRONZE; NICKEL(40u"MIN.)UNDER PLATING OVERALL,GOLD FLASH PLATING ON SOLDER AREA ;GOLD FLASH PLATING ON CONTACT AREA | T=0.20mm |
| 2    | TERMINAL 2# | 1    | PHOSPHOR BRONZE; NICKEL(40u"MIN.) UNDER PLATING OVERALL,GOLD FLASH PLATING OVERALL;  | T=0.20mm |
| 1    | TERMINAL 1# | 1    | PHOSPHOR BRONZE; NICKEL(40u"MIN.) UNDER PLATING OVERALL,GOLD FLASH PLATING OVERALL;  | T=0.20mm |
| ITEM | NAME        | Q'TY | DESCRIPTION  | NOTE     |

HAOFU ELECTRONCS TECHNOLOGY CO.,LTD

COPYRIGHT RESERVED,PLEASE DO NOT COPY.

|           |                     |             |      |         |           |         |            |
|-----------|---------------------|-------------|------|---------|-----------|---------|------------|
| PART NAME |                     | PHONE JACK  |      | DRAWING | Y,C,ZHANG | DWG.No. | SBICL      |
| PART NO.  |                     | PJ-3973     |      | CHECK   | G.C.Chen  | REV.    | A1         |
| UNIT :    | TOLERANCE OTHERWISE | UP TO 5     | ±0.2 | ANGLE   | APPROVAL  | DATE    | 14-03-2013 |
|           |                     | ABOVE 5 ~30 | ±0.3 |         |           |         |            |
| mm        |                     | ABOVE 30    | ±0.5 | 0°±3'   | SCALE     | PAGE    | 1 OF 1     |
|           |                     | ANGLE       | ±3'  |         |           |         |            |