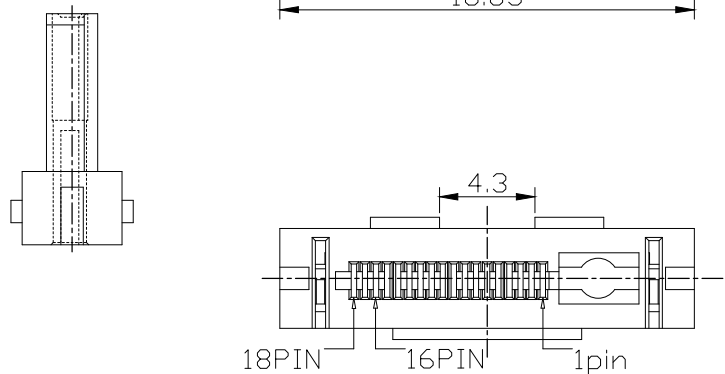
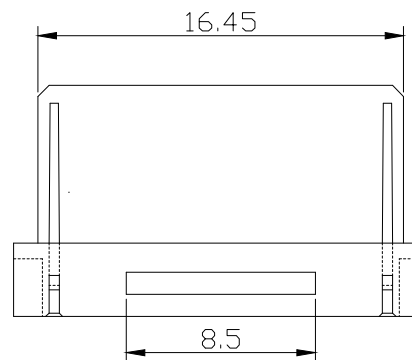
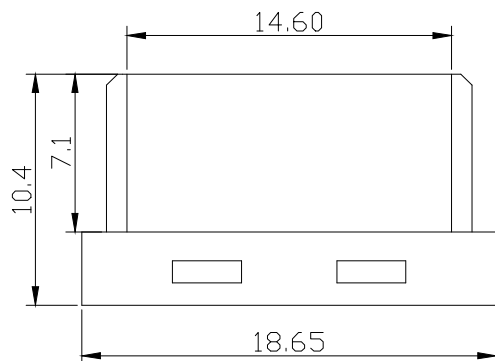
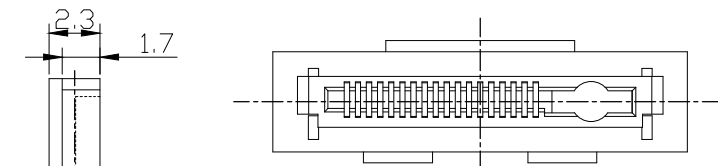


规格说明:Specifications:

电气特性:Electrical:

1. 额定电流: Current Rating
2.0A
2. 额定电压: Voltage Rating
5V DC
3. 接触阻抗:Contact Resistance
50 milliohms MAX
4. 耐电压:Dielectnic Withstanding Voitage:
300 V AC AT Sea Level
5. 绝缘阻抗:Lnsulation Resistance:
100MEGA ohms MIN



项次	品名	材质	颜色/电镀	料号	数量
①	AU18PIN 嵌芯	PBT	黑色	A-252-AA	1PCS
②	AU18PIN 嵌芯	c2680	镀金~3u'	E-005-11	3PCS
③	AU18PIN 卡钩	SUS		F-011-40	2PCS

HAOFU ELECTRONCS TECHNOLOGY CO.,LTD

COPYRIGHT RESERVED,PLEASE DO NOT COPY.

PART NAME		CONNECTOR		DRAWING		Y,C,ZHANG		DWG.No.		SBICL	
PART NO.		AU 18PIN		CHECK		G.C.Chen		REV.		A1	
	UNIT :	TOLERANCE OTHERWISE	UP TO 5	±0.2	ANGLE	APPROVAL		DATE		14-03-2013	
	mm		ABOVE 5~30	±0.3		SCALE		PAGE		1 OF 1	
			ABOVE 30	±0.5	0°±3'	2:1					