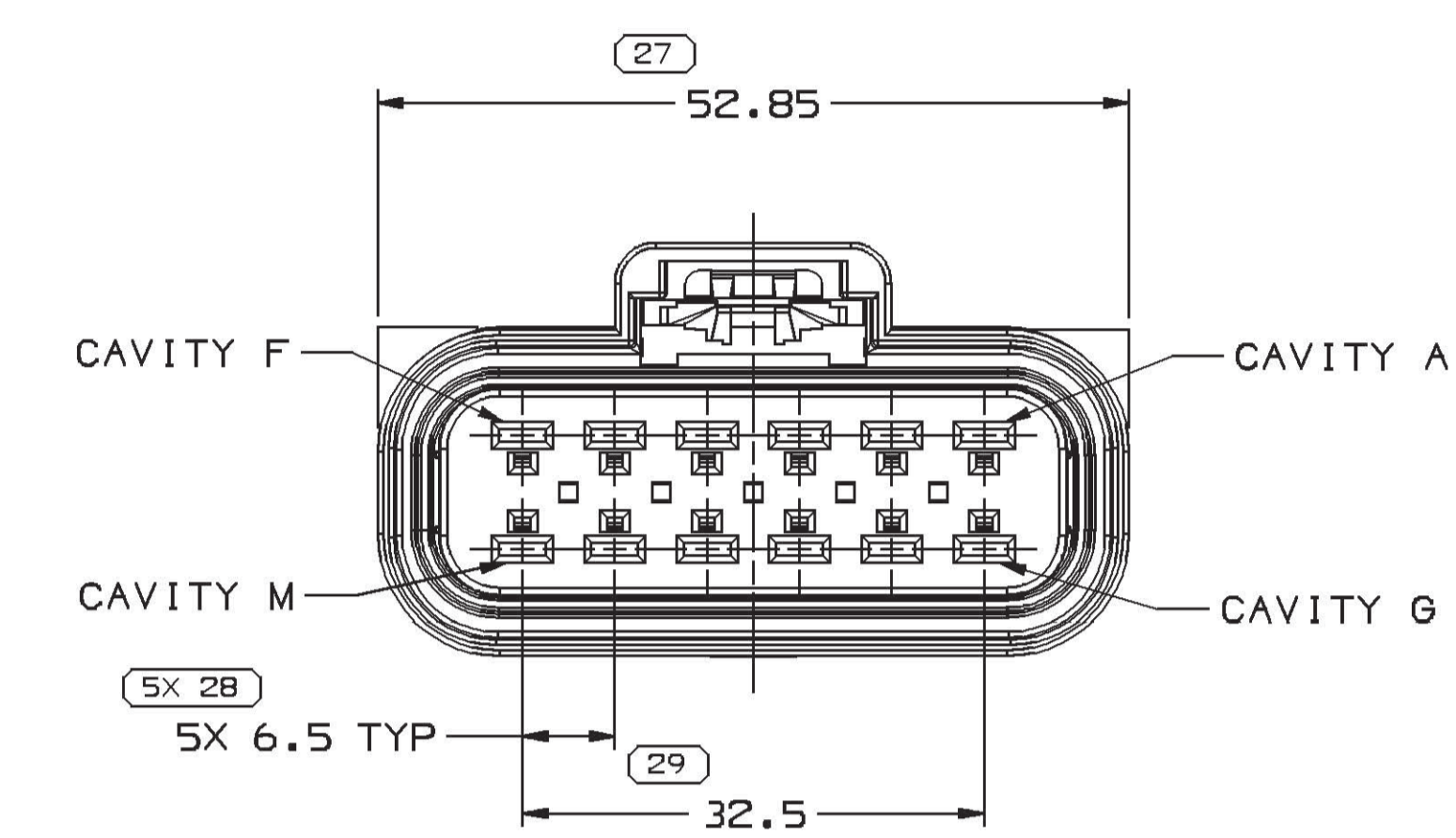
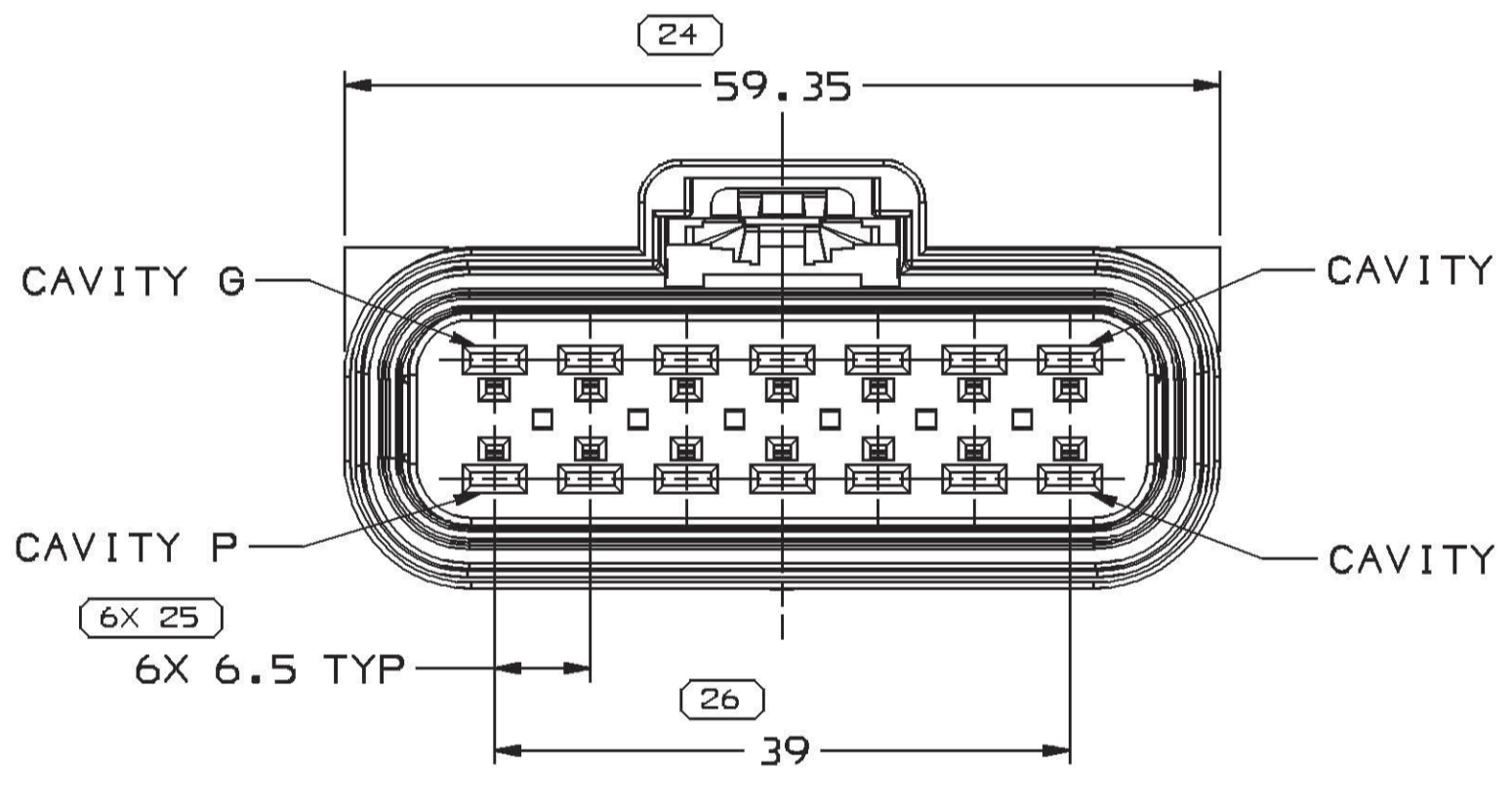


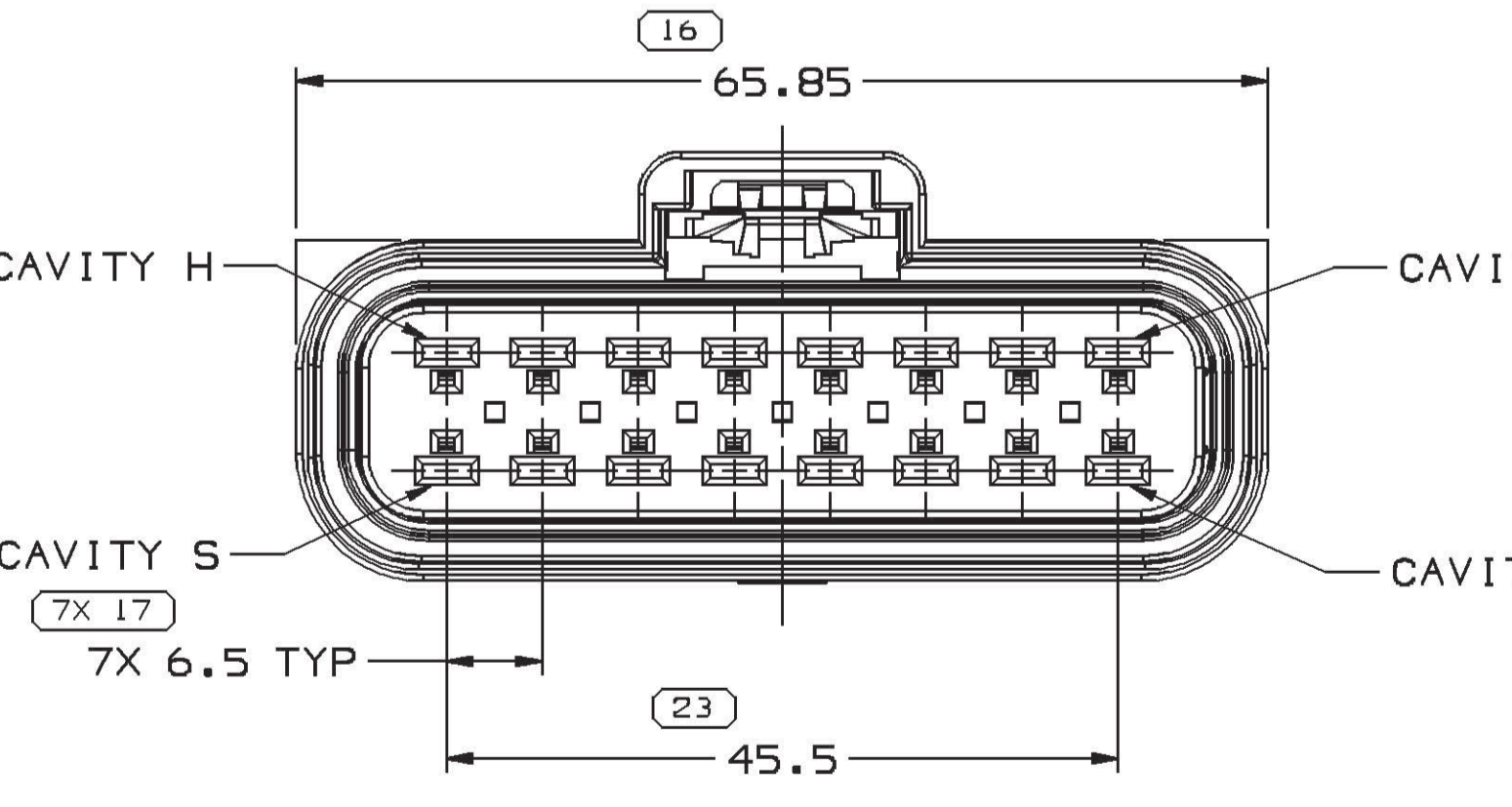
TYPE 110
SAME AS TYPE 108
EXCEPT AS SHOWN



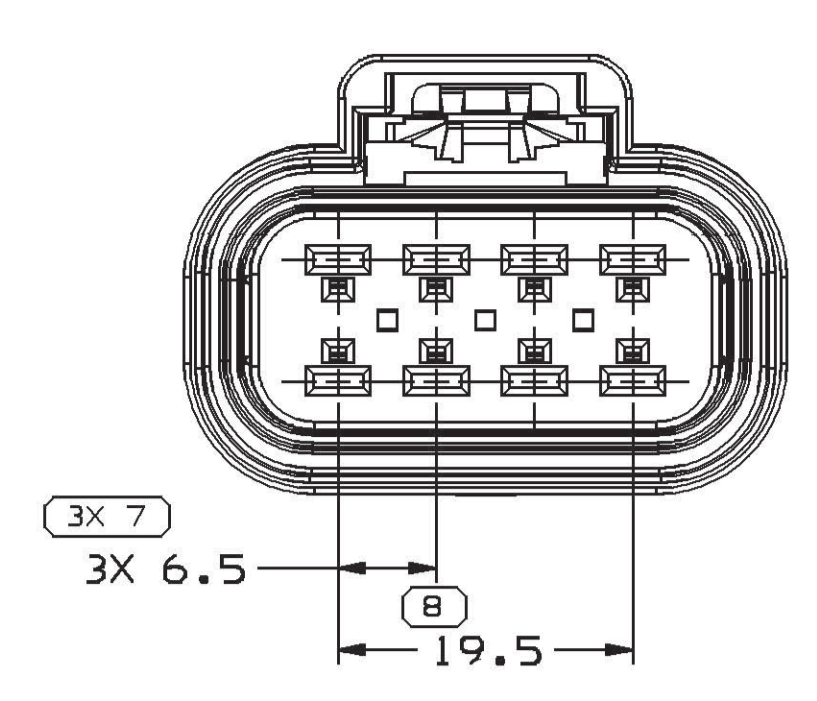
TYPE 112
SAME AS TYPE 108
EXCEPT AS SHOWN



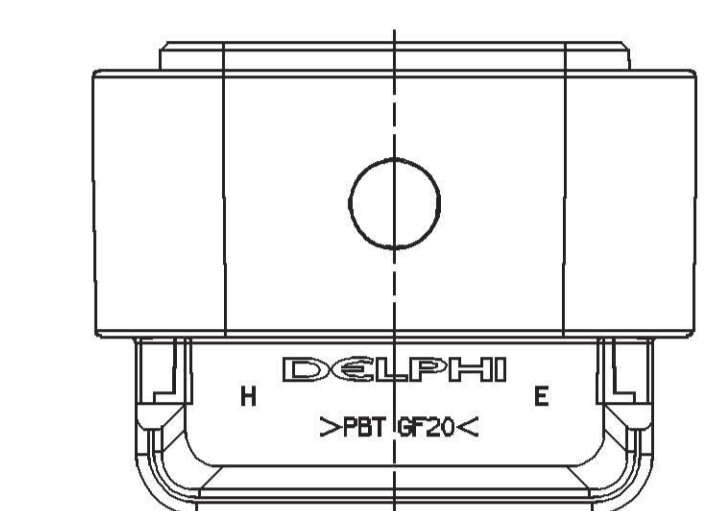
TYPE 114
SAME AS TYPE 108
EXCEPT AS SHOWN



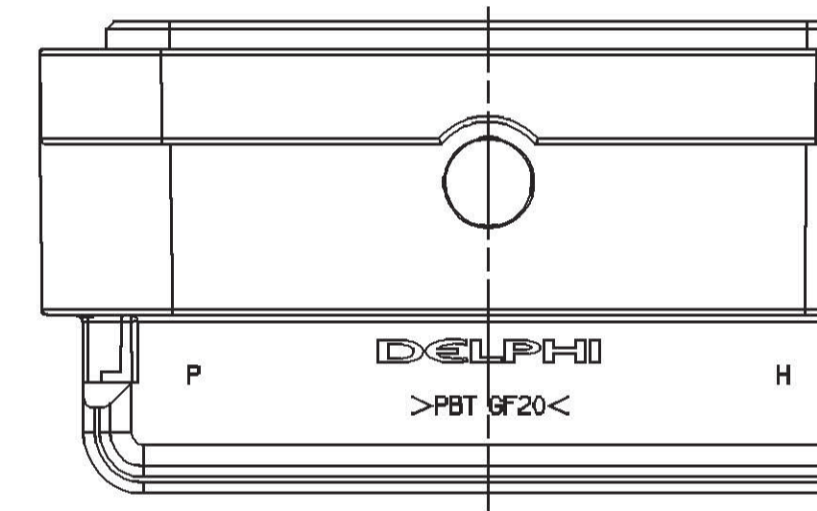
TYPE 116
SAME AS TYPE 108
EXCEPT AS SHOWN



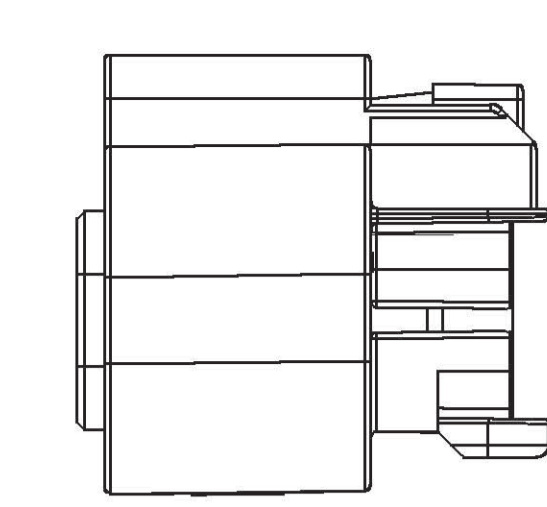
TYPE 208
SAME AS TYPE 108
EXCEPT AS SHOWN



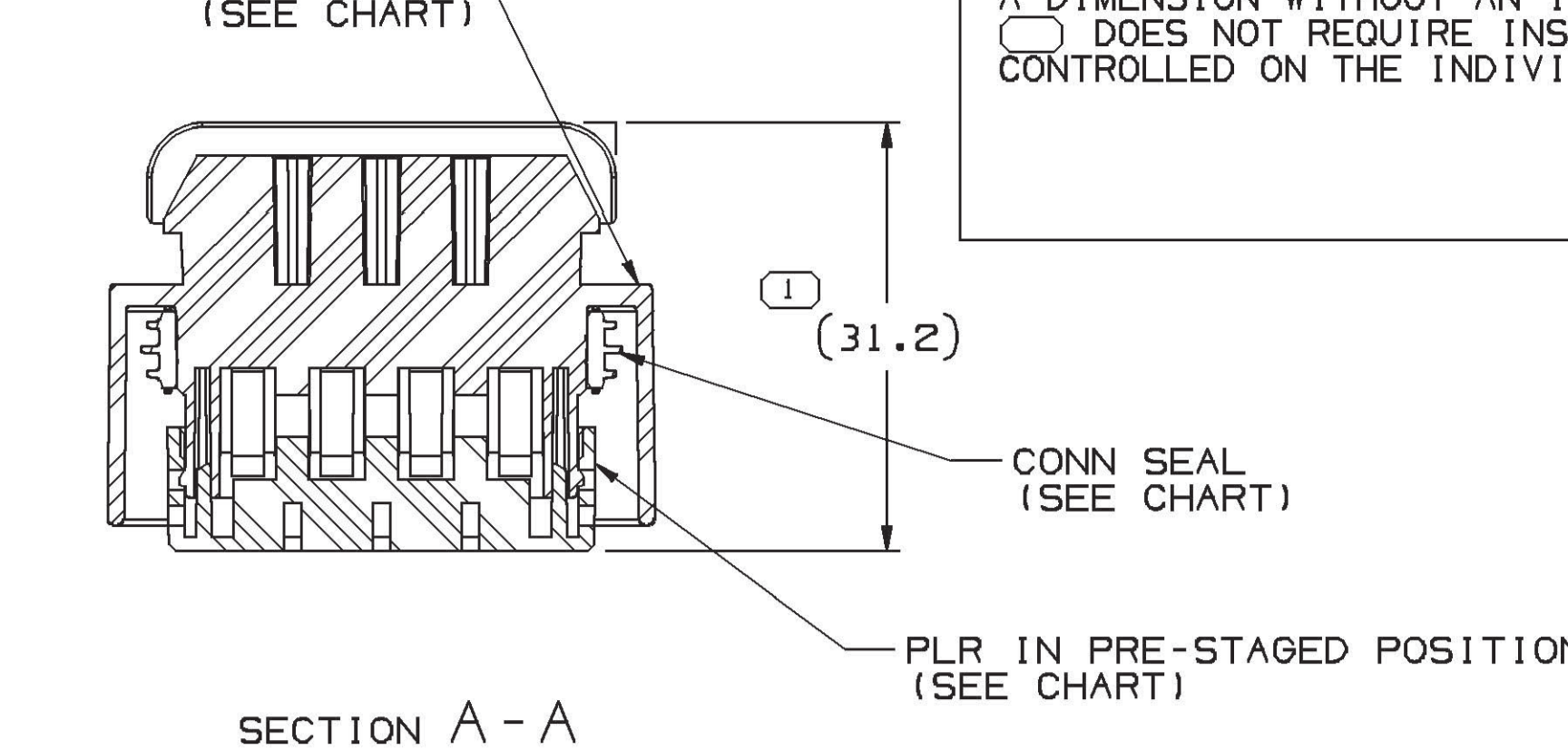
TYPE 214
SAME AS TYPE 114
EXCEPT AS SHOWN



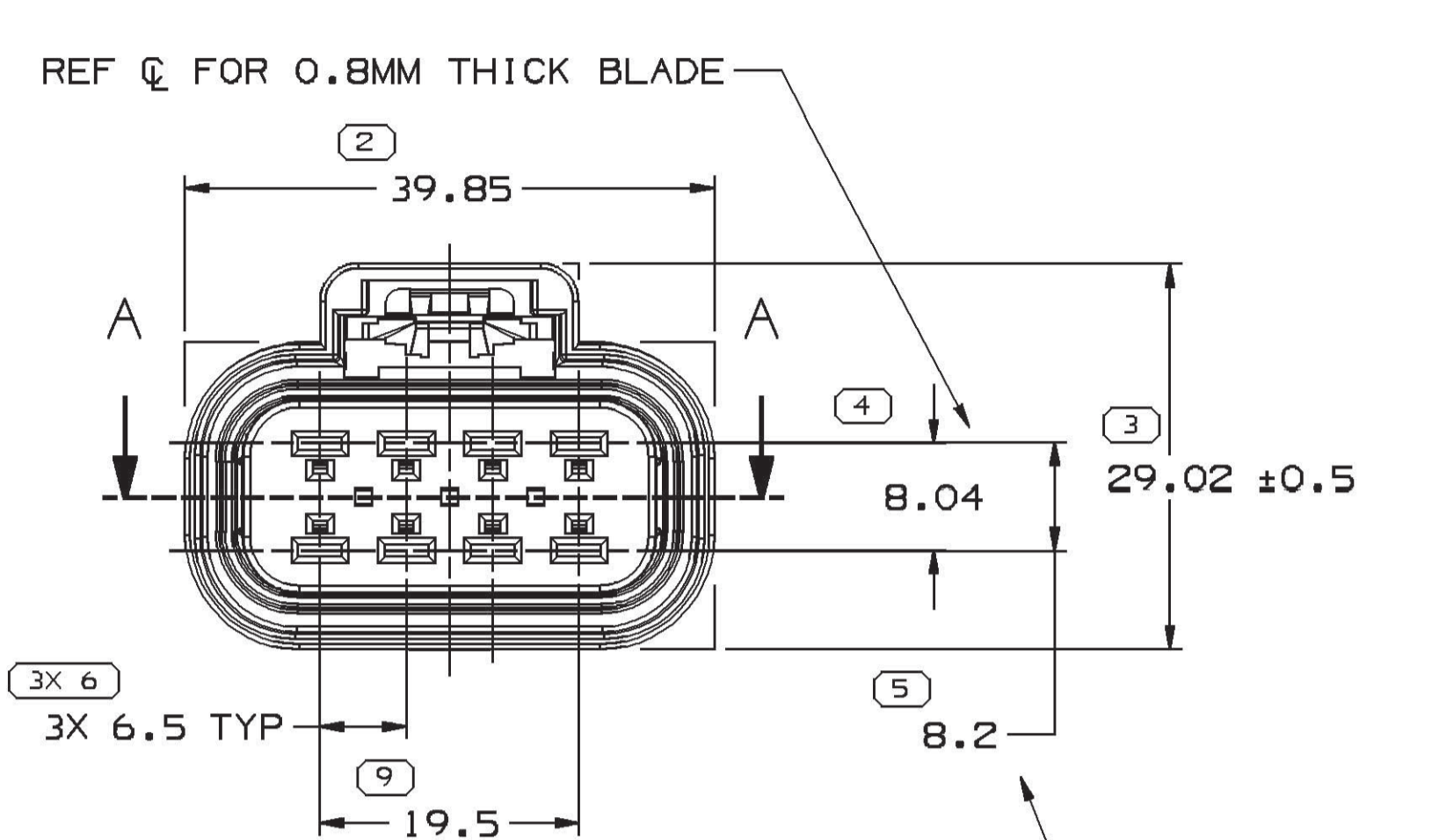
TYPE 210
SAME AS TYPE 214
EXCEPT AS SHOWN



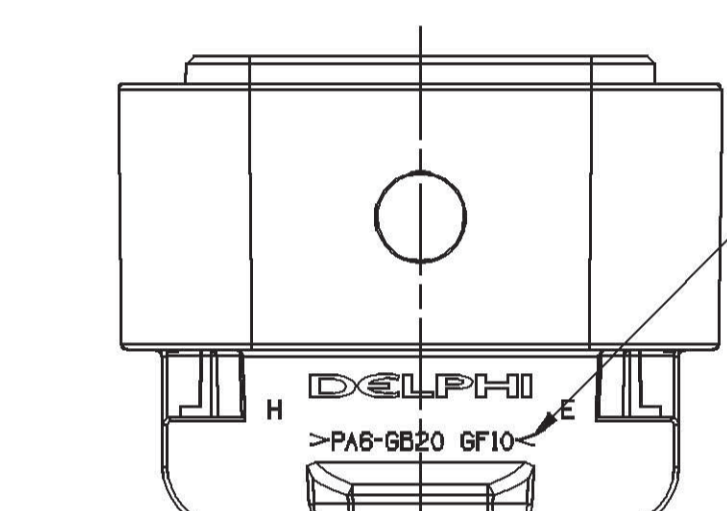
TYPE 212
SAME AS TYPE 214
EXCEPT AS SHOWN



SECTION A-A

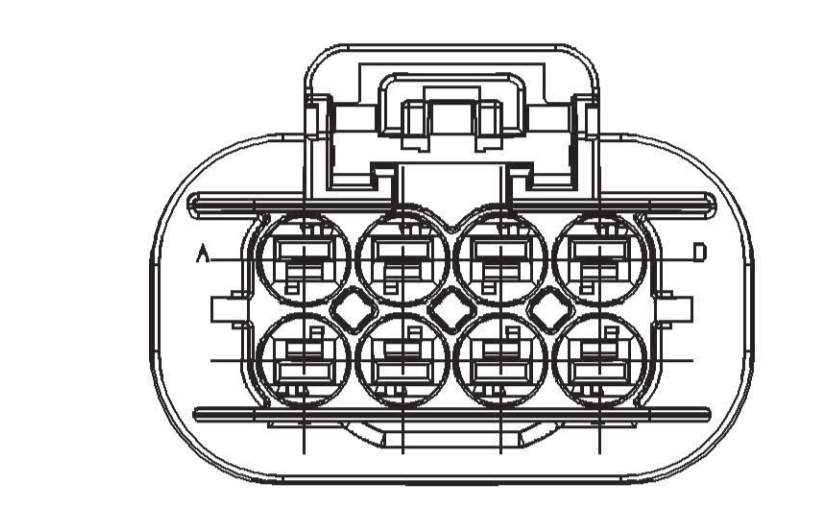
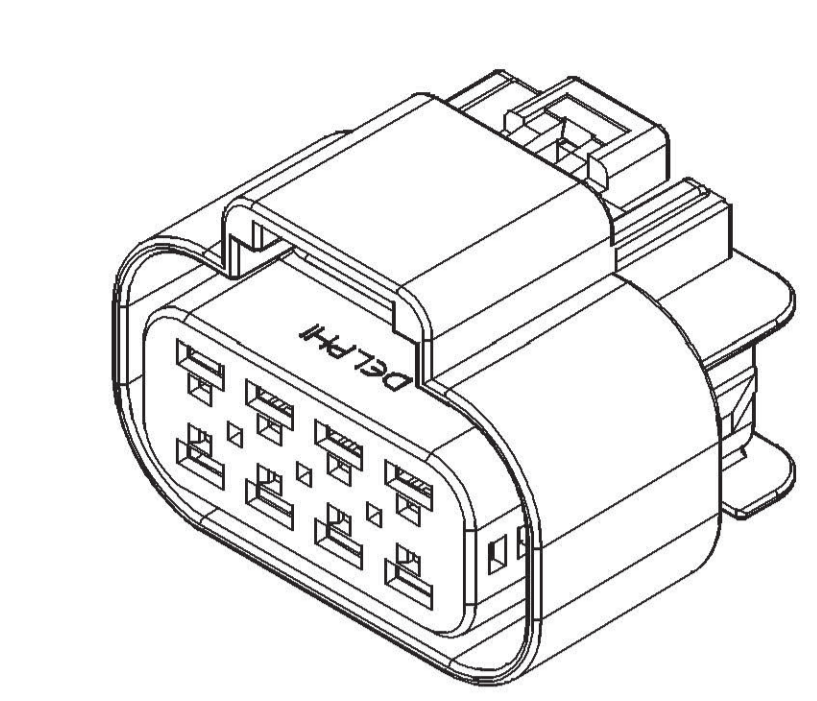


TYPE 108



TYPE 216
SAME AS TYPE 214
EXCEPT AS SHOWN

| SYMBOL DEFINITION | | TOTAL NO OF INSPECTIONS REQUIRED | | MISSING SYMBOLS | |
|--|--|----------------------------------|----|-----------------|--|
| A DIMENSION WITHOUT AN INSPECTION REPORT SYMBOL DOES NOT REQUIRE INSPECTION. IT MAY BE CONTROLLED ON THE INDIVIDUAL COMPONENT DRAWING. | | 70 | | | |
| | | LAST NO. USED | 30 | | |



| DATE | STG | REV | N/P | CHG | ZONE | REVISION HISTORY | | AUTH | DR | APV/D |
|--------|-----|-----|-----|-----|------|---|----------------------|--------|-----|---------|
| | | | | | | REVISED | REASON | | | |
| 25AU99 | R | 02 | - | - | - | CLEARED REVISION COLUMN | PART DRAWING UPDATED | 196586 | DRR | DRR SAN |
| 190C99 | R | 03 | - | - | - | ALL PARTS - REVISED GRAPHICS | | 196725 | LMM | RMM SAN |
| 14JL03 | R | 04 | - | - | - | ALL PARTS - REVISED CHART TO SHOW MATING TPA P/Ns; REVISED MATING COMPONENT NOTE, ADDED CPA P/N | | 242960 | ADK | ADK SAN |
| 22SE05 | R | 05 | - | - | - | 13538370 & 13540547 - RELEASED | | 272748 | LMB | LMB BR |
| 09MR06 | R | 06 | - | - | - | ALL PARTS - TERMINAL 15304720 WAS 15304718, CABLE SEAL 15326067 WAS 12191238; 15326654 - 39.85 WAS 39.9, 29.02 +/- 0.5 WAS 29; 15326660 - 46.37 WAS 46.4; 15326666 - 65.85 WAS 65.9; 15326910 - 52.85 WAS 52.9; 15326917 - 59.35 WAS 59.4; 13538370 - UPDATED PD ATTRIBUTES; 13540547 - REVISED DELPHI LOGO & VIEW TYPE LABEL | | 277561 | MAC | MAC SAN |
| 26AP06 | R | 07 | - | - | - | 13540547 - 29.77 +/- 0.37/-0.2 WAS 29.77 | | 279991 | JPH | FKV RWR |
| 17MY06 | R | 08 | - | - | - | ALL PARTS - UPDATED PDM ATTRIBUTES; 15326654 - RESTRICTED AND ADDED REPLACED BY COLUMN IN CHART | | 280598 | CCV | JVM RWR |
| 23MR07 | R | 09 | - | - | - | 15326654, 15326660, 15326666, 15326910 & 15326917 - UPDATED PDM ATTRIBUTES | | 400960 | JBD | JVM 061 |
| 20FE08 | R | 10 | - | - | - | ALL PARTS - ADDED COL TO CHART FOR "RECOMMENDED USAGE", APPLICATION DATA NOTE & APPEARANCE ITEM NOTE; REMOVED COL FROM CHART FOR "REPLACED BY" PART ACCEPTS NOTE, MATING CONFIGURATION NOTE, REFERENCE MATING NOTE, MATING TPA COL., CONF18 REQ COL., MATING CONN ASM COL. AND REVISED MAT'L CALLOUT TO GENERIC CALLOUT & MATERIAL RECYCLING CODE LABEL; 15326654 - REMOVED RESTRICTED STATUS; 13672060, 13658980 & 13672062 - RELEASED; 15326654 & 15326917 - ADDED NOTE FOR RECOMMENDED USAGE | | 402837 | JTV | AUG RWR |
| 28AU12 | R | 11 | - | - | - | ALL PARTS - REVISED MATING FORCE NOTE AND ADDED CAVITIES COLUMN IN CHART | | 419436 | APB | JAA OAF |

- NOTES
- UNLESS OTHERWISE SPECIFIED AND/OR INDICATED: DIMENSIONS ARE TO FACE OF VIEW SHOWN AND AUTOMATICALLY ROUNDED BY COMPUTER FOR INSPECTION. (SEE MATH MODEL FOR PRECISE DIMENSIONS.) FOR ALL OTHER DIMENSIONS NOT SHOWN BUT REQUIRED FOR TOOL BUILD, SEE MATH MODEL FOR PRECISE TOOL PATH DATA.
 - SEALING CODE 4 - DESIGN WILL MEET REQUIREMENTS OF SAE/USCAR-2 CONNECTOR SYTEM ENVIRONMENTAL TEST FLOWCHART (PRESSURE/VACUUM AND SUBMERSION).
 - ASSEMBLIES WITH 12 CAVITIES OR MORE, MATING FORCE WILL EXCEED 80N.
 - THIS PRODUCT IS NOT CATEGORIZED AS AN APPEARANCE ITEM, MINOR IMPERFECTIONS INCLUDING, BUT NOT LIMITED TO, FLOW MARKS, COLOR BLEMISHES, GATE VESTIGES, AND SOFT FLASH THAT DO NOT AFFECT THE FIT, FORM, OR FUNCTION OF THE PART ARE PERMISSIBLE PER DPNP-4.7-CS-01.
 - FOR APPLICATION DATA SEE THE INDIVIDUAL APPLICATION DRAWINGS.

| PART NO | ITEM ID | REV | N/P | RECOMMENDED USAGE | TYPE | CONN | MATERIAL RECYCLING CODE | COLOR | PLR | CONN SEAL | CAVITIES |
|----------|----------|-----|-----|---|------|---------------------|-------------------------|-------|---------------------|---------------------|----------|
| 13672062 | - | 01 | AA | - | 212 | 13672061 | POLYESTER COMPOUND | BLACK | 15326912 / ID406337 | 15326913 / ID406338 | 12 |
| 13658980 | - | 01 | AA | - | 216 | 13658979 | POLYESTER COMPOUND | BLACK | 15326664 / ID406352 | 15326665 / ID406353 | 16 |
| 13672060 | - | 01 | AA | - | 210 | 13672059 | POLYESTER COMPOUND | BLACK | 15326658 / ID406330 | 15326659 / ID406332 | 10 |
| 13540547 | - | 01 | AD | - | 214 | 13540546 | POLYESTER COMPOUND | BLACK | 15326919 / ID406343 | 15326920 / ID406344 | 14 |
| 13538370 | - | 01 | AC | - | 208 | 13534968 | POLYESTER COMPOUND | BLACK | 15326652 / ID406319 | 15326653 / ID406320 | 8 |
| 15326917 | ID406341 | 02 | AF | DO NOT PROLIFERATE REPLACED BY 13540547 | 114 | 15326916 / ID406345 | POLYAMIDE COMPOUND | BLACK | 15326919 / ID406343 | 15326920 / ID406344 | 14 |
| 15326910 | ID406335 | 02 | AF | - | 112 | 15326909 / ID406339 | POLYAMIDE COMPOUND | BLACK | 15326912 / ID406337 | 15326913 / ID406338 | 12 |
| 15326666 | ID406334 | 02 | AF | - | 116 | 15326662 / ID406350 | POLYAMIDE COMPOUND | BLACK | 15326664 / ID406352 | 15326665 / ID406353 | 16 |
| 15326660 | ID406334 | 02 | AF | - | 110 | 15326656 / ID406328 | POLYAMIDE COMPOUND | BLACK | 15326658 / ID406330 | 15326659 / ID406332 | 10 |
| 15326654 | ID406322 | 02 | AG | DO NOT PROLIFERATE REPLACED BY 13538370 | 108 | 15326650 / ID406317 | POLYAMIDE COMPOUND | BLACK | 15326652 / ID406319 | 15326653 / ID406320 | 8 |

| DIMENSIONAL RANGE (MM) | TOLERANCE | CHART REF |
|------------------------|-----------|-----------|
| FROM > 0 | > 0.25 | 1 |
| TO > 20 | > 0.30 | 2 |
| TO > 30 | > 0.40 | 3 |
| TO > 40 | > 0.50 | 4 |
| TO > 50 | > 0.60 | 5 |
| TO > 60 | > 0.70 | 6 |
| TO > 70 | > 0.80 | 7 |
| TO > 80 | > 0.90 | 8 |
| TO > 90 | > 1.00 | 9 |
| TO > 100 | > 1.10 | 10 |
| TO > 125 | > 1.25 | 11 |
| TO > 150 | > 1.50 | 12 |
| TO > 200 | > 1.75 | 13 |
| TO > 250 | > 2.00 | 14 |
| TO > 300 | > 2.25 | 15 |
| TO > 400 | > 2.50 | 16 |

DELPHI
DELPHI PACKARD ELECTRICAL/ELECTRONIC ARCHITECTURE
WARREN, OH
COPYRIGHT 1997 DELPHI CORPORATION AND/OR ITS AFFILIATES. ALL RIGHTS RESERVED.
THIS DRAWING IS THE PROPERTY OF DELPHI CORPORATION. THE REPRODUCTION, DISTRIBUTION AND UTILIZATION OF THIS DOCUMENT OR ITS RELATED CAD DATA, AS WELL AS COMBINATION OF ANY CONTENT TO OTHERS, WITHOUT EXPRESS AUTHORIZATION IS PROHIBITED.

OR **B. NABY** DATE 08MR97
APV01 **M. MCCALL** 09JL97
APV02 **M. MCCALL** 09JL97
APV03 **S.A. NORLING** 03OC97
APV04
APV05

THIS DOCUMENT IS IN ACCORDANCE WITH ASME Y14.5M-1994 AS MODIFIED BY THE 2003 SUPPLEMENT AND TELEPHONING ADDENDUM-2001. SEPARATE PATTERNS OF FEATURES MAY BE SHOWN SEPARATELY, REGARDLESS OF DATUM REFERENCES.

ALL DIMENSIONS ARE IN MILLIMETERS

UNLESS OTHERWISE SPECIFIED

DIMENSIONS ENCLOSED IN () INDICATE REFERENCE DIMENSIONS AND NO TOLERANCE LIMITS ARE ESTABLISHED

THIRD ANGLE PROJECTION

DO NOT SCALE

USE MATH DATA

DRAWING NUMBER: 15326672

SHEET NO: 1 OF 1