

THIS DRAWING IS UNPUBLISHED.

RELEASED FOR PUBLICATION

ALL RIGHTS RESERVED.

© COPYRIGHT - By TE CONNECTIVITY

LOC HB DIST -

REVISIONS

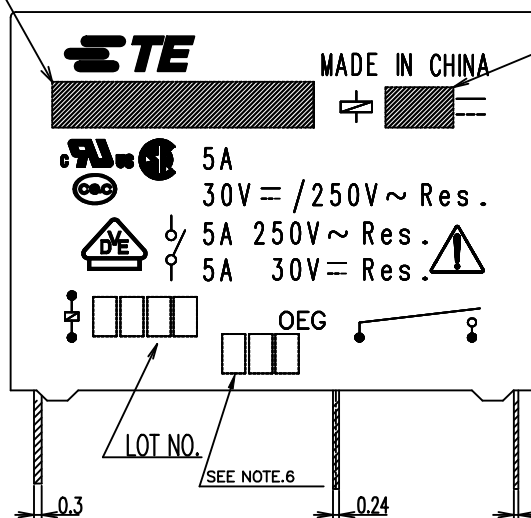
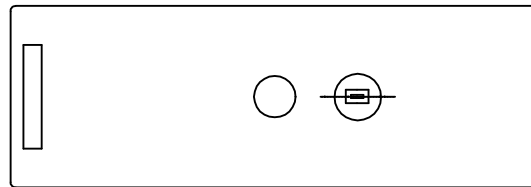
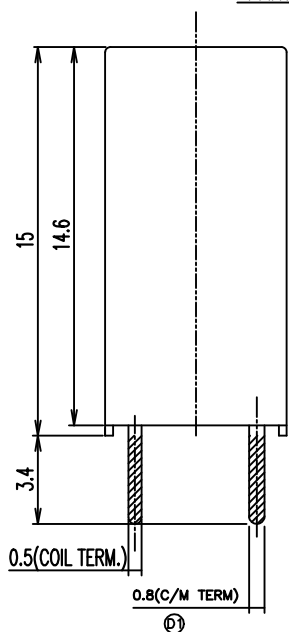
| P | LTR | DESCRIPTION               | DATE      | DWN | APVD |
|---|-----|---------------------------|-----------|-----|------|
|   | D2  | ADD NEW PN IN THE DRAWING | 22-Nov-18 | M.H | K.T  |

ECO-18-018147

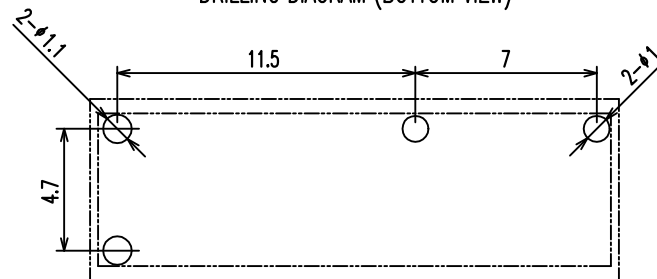
| Diagram dimension | Tolerance |
|-------------------|-----------|
| 0.99mm max.       | ±0.1mm    |
| 1 - 2.99mm        | ±0.2mm    |
| 3mm min.          | ±0.3mm    |

PART A

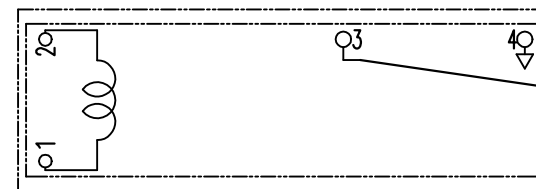
PART B



DRILLING DIAGRAM (BOTTOM VIEW)



CIRCUIT DIAGRAM (BOTTOM VIEW)



NOTE:

1.LOT NO SYSTEM AS FOLLOWING:



WEEK YEAR

2.ONE CHARACTER DISTINGUISH THE LINE IDENTITY, SUCH AS: A, B...

3.TERMINAL DIMENSION IS BEFORE SOLDER DIP.

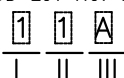
4.FOR THE TIN-PLATING OF THE PINS:

+0.1mm FOR WIDTH, THICKNESS AND DIAMETER.

+0.5mm FOR LENGTH.

5.MARKING FROM INK CHANGE TO LASER

6.ADD LOT NO. SYSTEM AS FOLLOWING;



I. DIGITS FOR DAY OF THE WEEK

1...MONDAY IN THIS WEEK;

2...TUESDAY IN THIS WEEK;

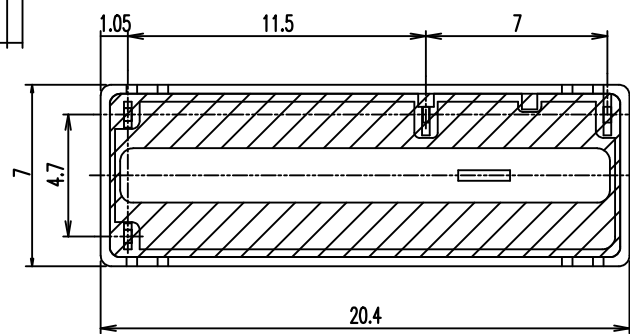
7...SUNDAY IN THIS WEEK

II. DIGITS FOR SHIFT OF THE DAY

1...DAY SHIFT IN THIS DAY;

2...NIGHT SHIFT IN THIS DAY;

III. ONE CHARACTER DISTINGUISH THE LINE IDENTITY, SUCH AS: A,B,.....Z



THIS DRAWING IS A CONTROLLED DOCUMENT.

|                   |   |  |  |                 |
|-------------------|---|--|--|-----------------|
| DIMENSIONS:<br>mm | TOLERANCES UNLESS OTHERWISE SPECIFIED:<br>0 PLC ± -<br>1 PLC ± -<br>2 PLC ± -<br>3 PLC ± -<br>4 PLC ± -<br>ANGLES ± - | DWN Q.L<br>CHK B.F<br>APVD SUNNY<br>PRODUCT SPEC -<br>APPLICATION SPEC -<br>WEIGHT - | TE Connectivity<br>NAME<br>PCJ SPEC ,303 |                 |
| MATERIAL -        | FINISH -  | CUSTOMER DRAWING   | SIZE A3                                  | CAGE CODE 00779 |
|                   |   | DRAWING NO C=1721531   |  | RESTRICTED TO   |
|                   |   | SCALE 5:1  | SHEET 1 of 2                             | REV D2          |

THIS DRAWING IS UNPUBLISHED.      RELEASED FOR PUBLICATION      - . - .

© COPYRIGHT - By TE CONNECTIVITY      ALL RIGHTS RESERVED.

| LOC | DIST | REVISIONS |     |             |      |     |      |
|-----|------|-----------|-----|-------------|------|-----|------|
| HB  | -    | P         | LTR | DESCRIPTION | DATE | DWN | APVD |
|     |      | -         |     | SEE SHEET 1 | -    | -   | -    |

|    |                  |             |                       |                                     |        |             |
|----|------------------|-------------|-----------------------|-------------------------------------|--------|-------------|
| h  | PCJ-112D3M,0300W | 1-1721531-1 | 107-79014 (TRAY)      |                                     | 12V    | PCJ-112D3M  |
| g  | PCJ-112D3MH ,303 | 1721531-7   | 107-79014 (TRAY)      | SEAL UP INSPECTION ON EVERY PRODUCT | 12V    | PCJ-112D3MH |
| f  | PCJ-109D3MH ,303 | 1721531-6   | 107-79014 (TRAY)      | SEAL UP INSPECTION ON EVERY PRODUCT | 9V     | PCJ-109D3MH |
| e  | PCJ-124D3MH ,303 | 1721531-5   | 107-79014 (TRAY)      | SEAL UP INSPECTION ON EVERY PRODUCT | 24V    | PCJ-124D3MH |
| d  | PCJ-105D3MH ,303 | 1721531-4   | 107-79014 (TRAY)      | SEAL UP INSPECTION ON EVERY PRODUCT | 5V     | PCJ-105D3MH |
| c  | PCJ-124D3M ,303  | 1721531-3   | 107-79014 (TRAY)      |                                     | 24V    | PCJ-124D3M  |
| b  | PCJ-112D3M ,303  | 1721531-2   | 107-79014 (TRAY)      |                                     | 12V    | PCJ-112D3M  |
| a  | PCJ-105D3M ,303  | 1721531-1   | 107-79014 (TRAY)      |                                     | 5V     | PCJ-105D3M  |
| No | DESCRIPTION      | TE PART NO  | PACKING SPECIFICATION | DESCRIPTION                         | PART B | PART A      |

RELAY TYPE

|                  |           |            |                                |                     |    |
|------------------|-----------|------------|--------------------------------|---------------------|----|
|                  |           | Sn-Cu      | SOLDER                         | 18                  |    |
| 94V-0            |           | PBT        | CASE                           | 17                  |    |
|                  |           | UV         | SEAL(CASE) JUST FOR WASH TIGHT | 16                  |    |
|                  |           | EPOXY      | SEAL(CASE AND BASE)            | 15                  |    |
|                  |           | 3UEW       | MAGNETIC WIRE                  | 14                  |    |
| 94V-0            |           | PBT        | CARD                           | 13                  |    |
|                  |           | Ag ALLOY   | STATIONARY CONTACT             | 12                  |    |
|                  |           | SOLDER DIP | Cu ALLOY                       | STATIONARY TERMINAL | 11 |
|                  |           | Ag ALLOY   | MOVABLE CONTACT                | 10                  |    |
|                  |           | SOLDER DIP | Cu ALLOY                       | MOVABLE SPRING      | 9  |
| 94V-0            |           | PBT        | BASE                           | 8                   |    |
|                  |           | STAINLESS  | HINGE SPRING                   | 7                   |    |
|                  |           | NIP        | STEEL                          | ARMATURE            | 6  |
|                  |           | NIP        | STEEL                          | CORE                | 5  |
|                  |           | NIP        | STEEL                          | YOKE                | 4  |
|                  |           | SOLDER DIP | Cu ALLOY                       | COIL TERMINAL B     | 3  |
|                  |           | SOLDER DIP | Cu ALLOY                       | COIL TERMINAL A     | 2  |
| 94V-0            |           | PBT        | BOBBIN                         | 1                   |    |
| INCOMBUSTIBILITY | TREATMENT | MATERIAL   | DESCRIPTION                    | ITEM                |    |

|  |          |                    |   |  |
|--|----------|--------------------|---|--|
| THIS DRAWING IS A CONTROLLED DOCUMENT. |          | DWN Q.L            | <b>STE</b> TE Connectivity              |  |
| DIMENSIONS: mm                         |          | CHK B.F            |   |  |
| TOLERANCES UNLESS OTHERWISE SPECIFIED: |          | APVD SUNNY         | NAME PCJ SPEC ,303                      |  |
| 0 PLC ± -                              |          | PRODUCT SPEC -     | SIZE CAGE CODE DRAWING NO RESTRICTED TO |  |
| 1 PLC ± -                              |          | APPLICATION SPEC - | A3 00779 C=1721531                      |  |
| 2 PLC ± -                              |          | WEIGHT -           | SCALE 5:1 SHEET 2 of 2 REV D2           |  |
| 3 PLC ± -                              |          | CUSTOMER DRAWING   |   |  |
| 4 PLC ± -                              |          |                    |   |  |
| 4 BLC ANGLES ± -                       |          |                    |   |  |
| MATERIAL -                             | FINISH - |                    |   |  |