

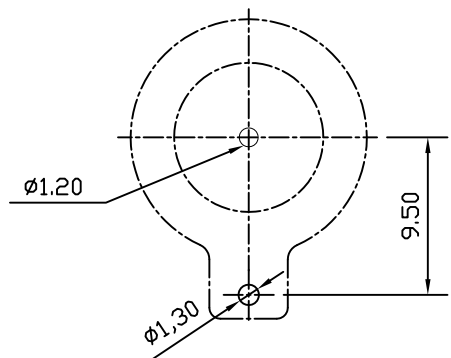
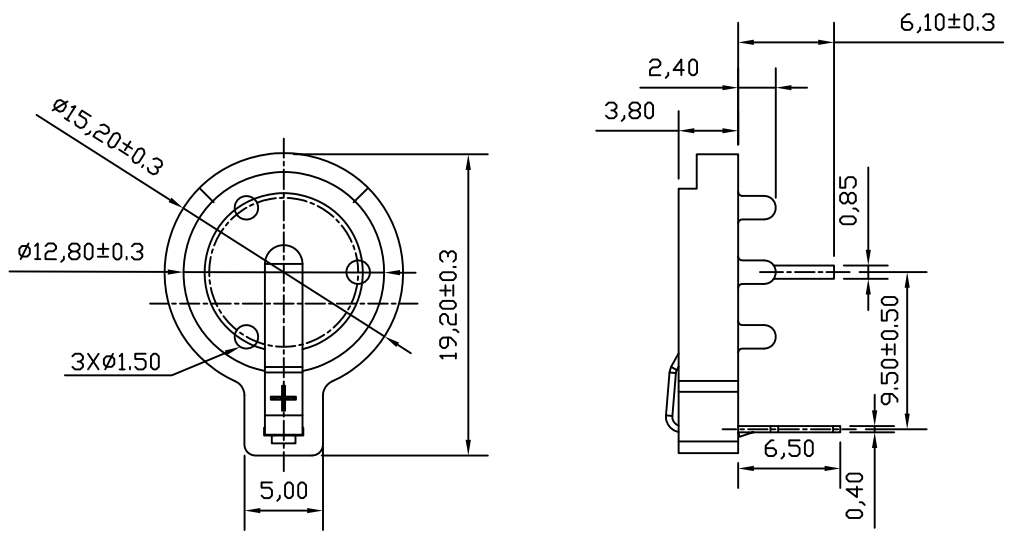


REV.	ECN NO.	REVISED	DATE

NOTE:

- 1.MATERIAL:
 a.HOUSING:PBT BLACK
 b.CONTACT:STEEL
 (SURFACE PLATING: Ni100U"~120U")
 SEE ORDERING INFORMATION

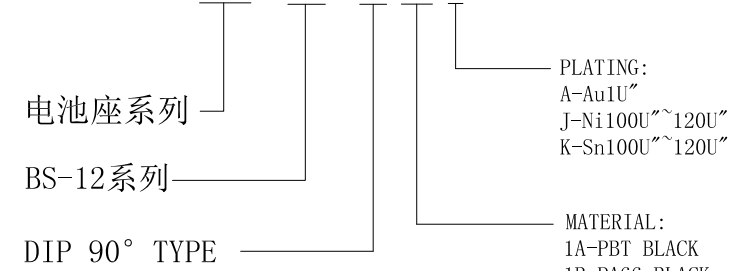
- 2.ELECTRIC:
 a.CONTACT RESISTANCE: 30 MILLIOHMS MAX
 b.INSULATION RESISTANCE: 1000 MEGA OHMS MIN
 c.DIELECTNIC VOLTAGE: 500V AC ONE SEC LEVEL
 d.OPERATING TEMPERATURE: -25° C~ +85° C



PCB Layout Diagram
Top View

ORDERING INFORMATION

BS-12-A***019



工程部
2021-06-22
H. WANG

③	TERMINAL(-)	1	STEEL, T=0.85mm	Ni-Plating
②	TERMINAL(+)	1	STEEL, T=0.40mm	Ni-Plating
①	HOUSING	1	PBT	BLACK
NO.	PART NAME	Q'TY	MATERIAL	PLATING & COLOR

UNLESS OTHERWISE SPECIFIED TOLERANCES		MYOUNG 美阳 www.meiyangdz.com			
DECIMALS: X :±0.30 X.X :±0.25 X.XX :±0.20 X.XXX :±0.10	ANGLES: X :±1° X.X :±0.5°	DSND	YangFeng	DATE	2021-06-22
WEIGHT:		CHKD	ZhouRuicai	DATE	2021-06-22
SHEET 1 OF 1		APVD	XueShunyong	DATE	2021-06-22
SCALE:		SIZE: A4		VIEW:	
UNIT: mm		REV.:	A/1	OBJECT:	MY
TITLE:		BS-1220-1 Ni DIP			
PART NO.:		BS-12-A1AJ019			
DRAW NO.:		WD-CP-0094			