



REV.	ECN NO.	REVISED	DATE

NOTE:

1.MATERIAL:

- a.HOUSING:PA66 BLACK
- b.CONTACT:PHOSPHOR BRONZE
(SURFACE PLATING: Au1u")

SEE ORDERING INFORMATION

2.ELECTRIC:

- a.CONTACT RESISTANCE: 30 MILLIOHMS MAX
- b.INSULATION RESISTANCE: 1000 MEGA OHMS MIN
- c.DIELECTNIC VOLTAGE: 500V AC ONE SEC LEVEL
- d.OPERATING TEMPERATURE: -25° C~ +85° C

ORDERING INFORMATION

BH-18650-B***002

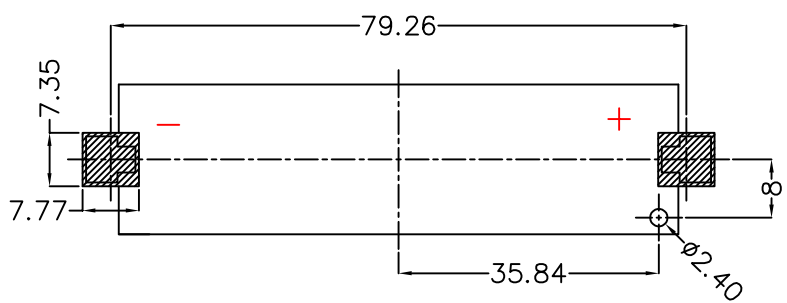
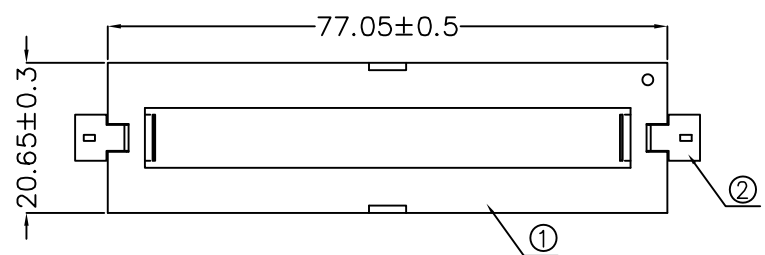
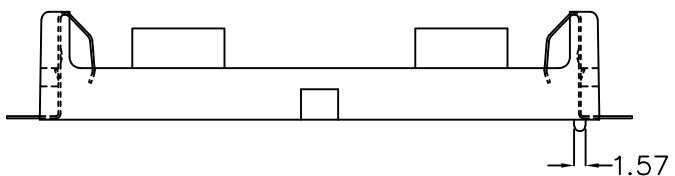
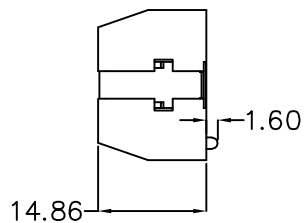
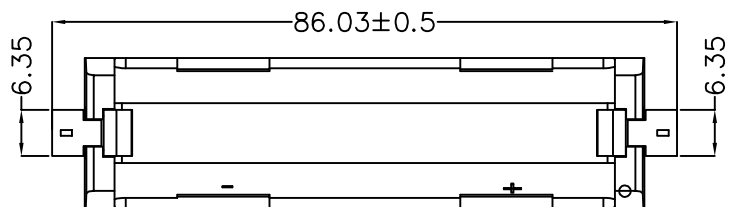
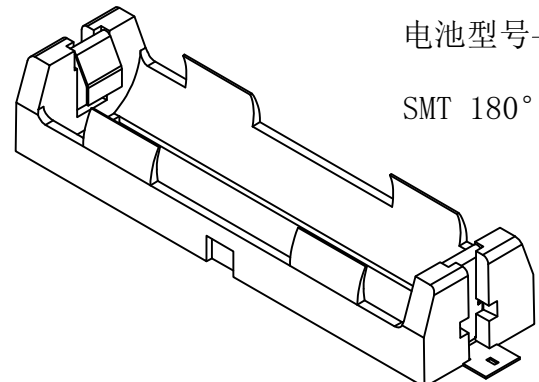
电池盒

电池型号

SMT 180° TYPE

PLATING:
A-Au1U"
J-Ni100U"~120U"
K-Sn100U"~120U"

MATERIAL:
1A-PBT BLACK
1B-PA66 BLACK
2A-PPA BROWN
2B-PPA BLACK
3A-PPS BROWN
3B-PPS BLACK
4A-LCP WHITE
4B-LCP BLACK
5A-PA9T BLACK



PCB Layout Diagram
Bottom View

UNLESS OTHERWISE SPECIFIED TOLERANCES		MYOUNG 美阳 www.meiyangdz.com	
DECIMALS: X :±0.30 X.X :±0.25 X.XX :±0.20 X.XXX :±0.10	ANGLES: X :±1° X.X :±0.5°	DSND YangFeng	DATE 2018-11-14
WEIGHT:		CHKD ZhouRuicai	DATE 2018-11-14
SHEET 1 OF 1		APVD XueShunyong	DATE 2018-11-14
SCALE: UNIT: mm		SIZE: A4	VIEW:
REV.: A/0		OBJECT: MY	TITLE: 电池盒BH-18650-1J Au SMT
PART NO.: BH-18650-B1BA002		DRAW NO.:WD-CP-0088	

2	TERMINAL	1	PHOSPHOR BRONZE, T=0.35MM	Au-Plating
1	HOUSING	1	PA66	BLACK
NO.	PART NAME	Q'TY	MATERIAL	PLATING & COLOR