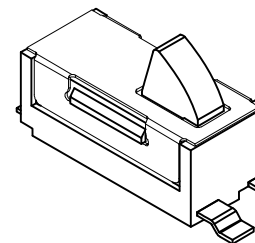
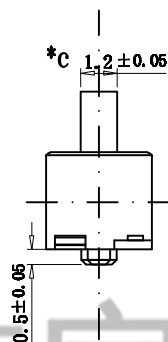
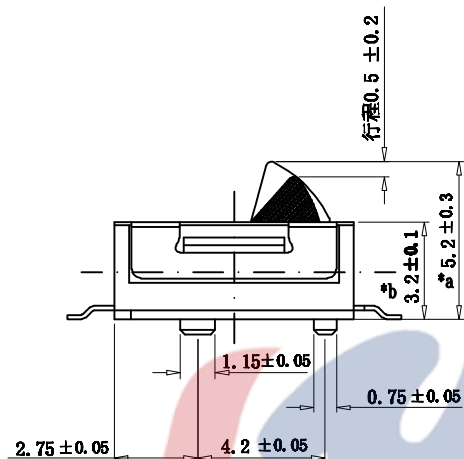
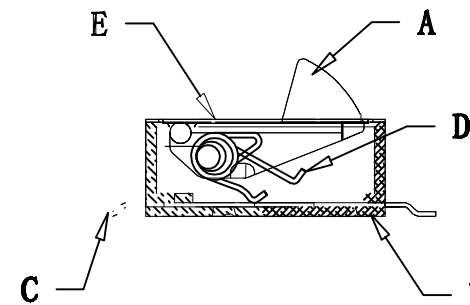
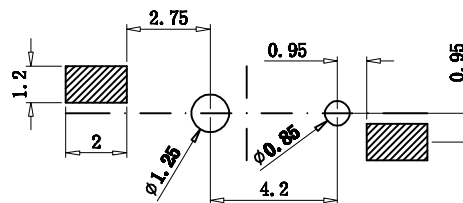
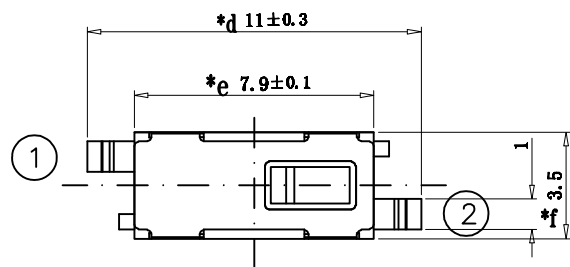


电路原理图



皓宇电子
HOOYA ELECTRONICS



				TOLERANCE UNLESS SPECIFIED							
				UP TO 5mm: ±0.1	ANGULAR	1					
				ABOVE 5mm: ±0.2	±1°	NO	DATE	REVISIONS		BY	APPD
5	盖子	SUS	1				TITLE: TACT SWITCH	UNIT: MM	ROHS COMPLIANT	DWN	
4	接触簧片	PBS	1	AG-PLATED	MODEL: TC-0711			SCALE: 1:1	CHK'D		
3	卡件	PBS	1	AG-PLATED	HAOYU(HONGKONG)LIMITED 皓宇(香港)有限公司			APPD			
2	底座	PA9T	1					PRO.AGL:			REV :A0
1	按键	PA9T	1								
NO.	PART NAME	MATERIAL	QTY	FINISHING						REV	APPD