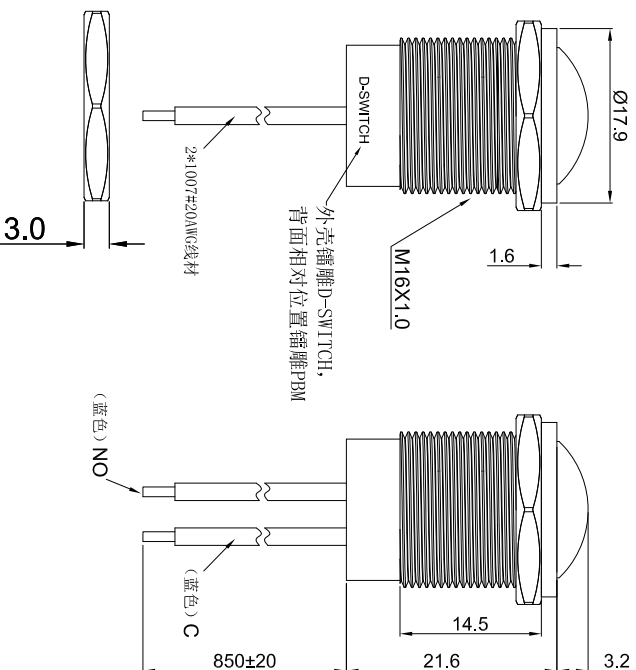


备注：  
 1.外壳镗雕D-SWITCH和PBM (代码A3)；  
 2.拧螺母，配垫圈。



Nut Torque:5~14Nm

Operating Pressure:350gf ±80gf

Operating Stroke:2.8mm±0.3

Protection Grade:IP68,IK08

Function:(ON)-OFF

Base:PAP66

Shell:SUS

Button:Silica Gel

Rating(Resistive load):3A 250V AC

Contact Resistance:50mΩ Max.

Insulation Resistance:100MΩ Min.

Dielectric Strength: 1500VAC 1 minute

Electrical life:50,000 cycles

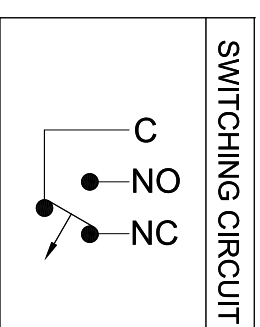
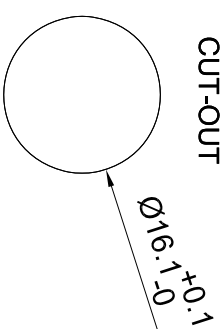
Mechanical life:100,000 cycles

Operating Temperature:-20°C~70°C

Relative Air Humidity:45%~85%

Safety Approval:   

CUT-OUT



**D-SWITCH**  
 东莞市德松电子有限公司  
 D-SWITCH ELECTRONICS CO.,LTD

公差 TOLERANCES .X±0.5 .XX±0.3 角度 ANGLE ±1° 单位 DIMENSION UNIT mm.

版本 VER	变更说明 CHANGE DESCRIPTION	日期 DATE	ECON NO.	核准 APPROVED BY	核对 CHECKED BY	绘图 DRAWN BY	品名 TITLE	图号 DRAWING NO
							PBM-16MT3-BA-N-NN-S6W-A3-0004 (L-850-1007#20-UU)	1013282