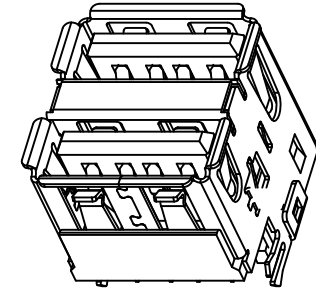


RECOMMEND P.C.B LAYOUT (THICKNESS 1.2mm)
(COMPONENT SIDE) TOLERANCE±0.05mm



GT-USB-2036-SBG15

G-Switch

USB系列

系列编码

C=铜壳

I=铁壳

S=不锈钢

G1=1U

G3=3U

G5=5U

G15=15U

G30=30U

W=白色 (PBT)

B=黑色 (PBT)

N=其它

G-SWITCH NOTES:

1. MATERIAL SPECIFICATION:

- INSULATION MATERIAL: THERMOPLASTIC.
- SHELL: COPPER ALLOY & SPCC-SD
PLATING: NICKEL
- TERMINAL: COPPER ALLOY
PLATING: GOLD/TIN PLATED;

2. ELECTRICAL CHARACTERISTIC:

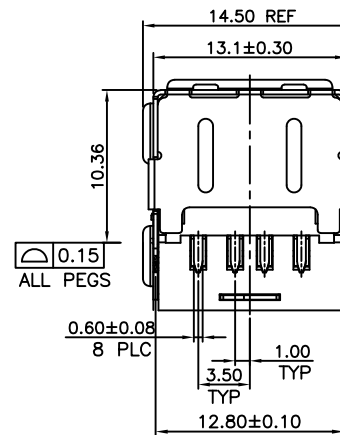
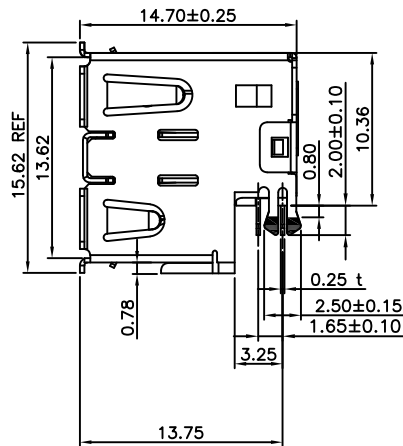
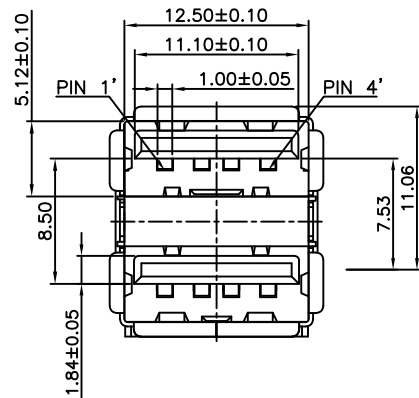
- INSULATION RESISTANCE: 1000MΩ MIN;
- CONTACT RESISTANCE: 30mΩ MAX;
- WITHSTANDING VOLTAGE: 500V AC;

3. MECHANICAL CHARACTERISTICS:

- INSERTION FORCE: 3.57Kgf Max;
- EXTRACTION FORCE: 1.02Kgf Min.
- DURABILITY: 1500 MATING CYCLES MIN

4. ENVIRONMENT CHARACTERISTICS:

- Operating temperature: -40°C to +80°C
- Storage temperature: -40°C to +80°C



RoHS
Compliant
2002/95/EC



G-Switch Electronic Technology CO., Ltd.

Unless otherwise specified, Tolerance:
X. ±0.30
X.x ±0.20
X.xx ±0.15
X.xxx ±0.10
Angles ±3°

DESIGN 陈锋枫 DATE 2016.05.29
CHECKED DATE
APPROVED DATE
<http://www.dg-switch.com>
TEL: 0769-82388879

TITLE:
GT-USB-2036-SBG15
REV.: X1 SCALE: 4:1 UNIT: mm
SIZE: A4 SHEET: 1/1