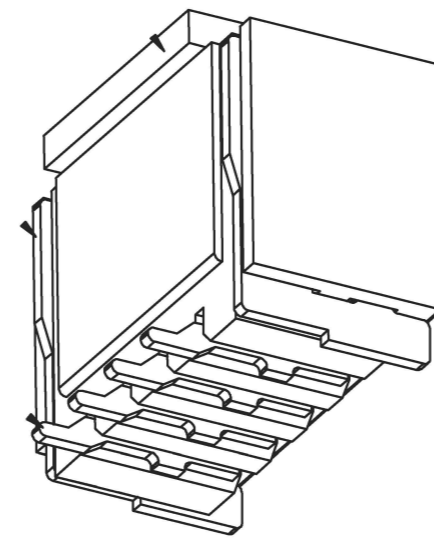
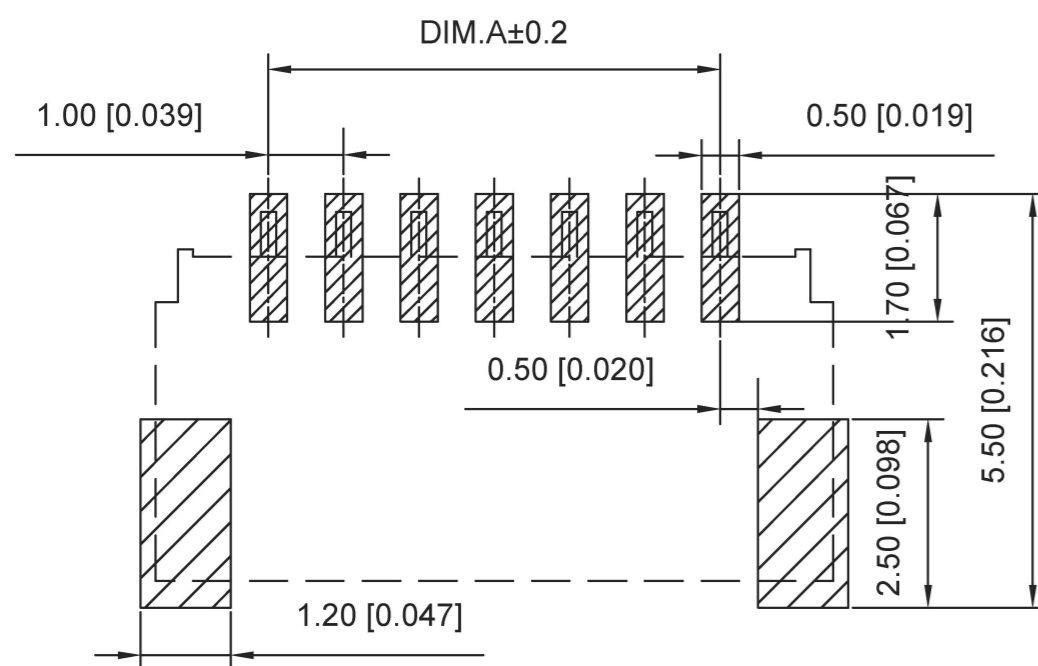
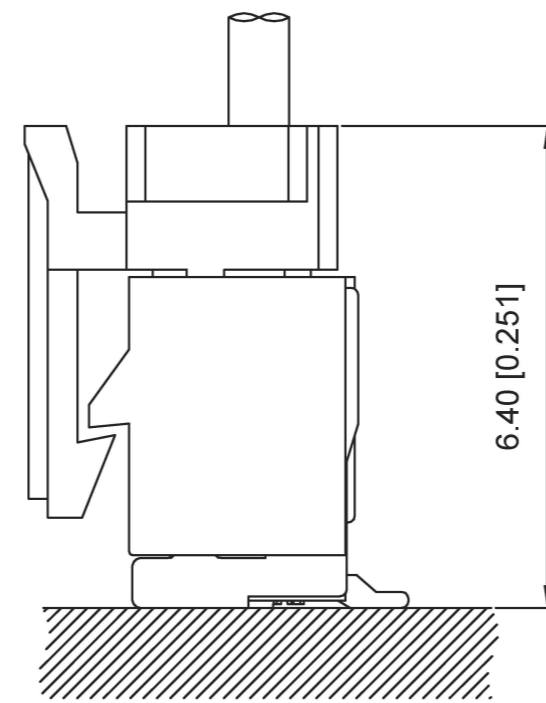
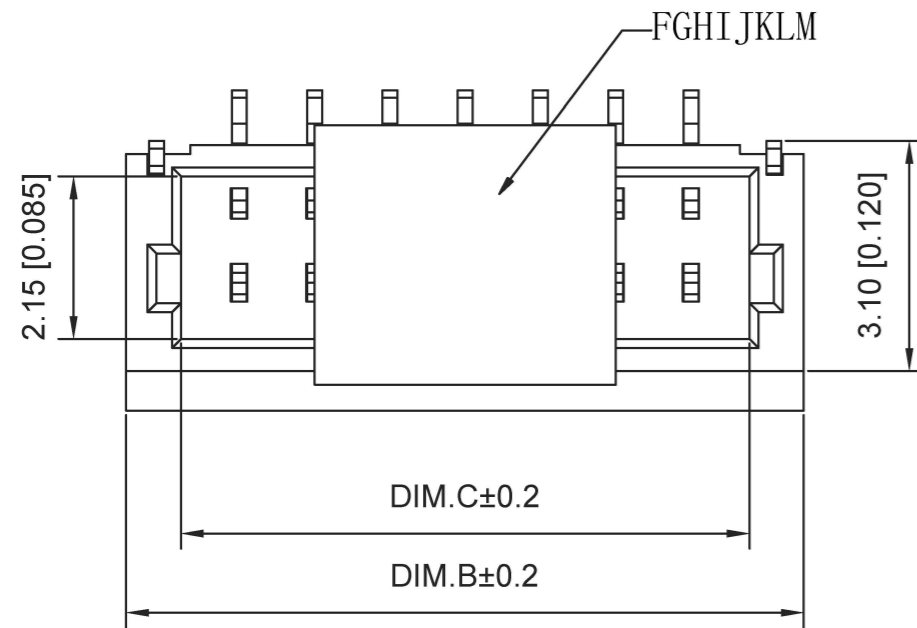


Specifications :

- Voltage rating: 50 V AC / DC
- Current rating: 1A AC / DC
- Withstanding voltage: 500V AC/minute
- Temperature range: -25°C~+85°C
- Insulation resistance: $\geq 100M\Omega$
- Contact resistance: $\leq 20m\Omega$
- After environmental testing: $\leq 40m\Omega$

X1002 W V S- XX L- HF-LP SW
① ② ③ ④ ⑤ ⑥ ⑦ ⑧ ⑨

- ① Series No.
- ② Category : W-WAFER
- ③ Wedding Board Angle : V-Stright Angle 180°
- ④ Welding Way:S-SMT
- ⑤ Row No.Pin No.XX-Single row
- ⑥ Plug the Pin & Special No:L-With Lock
- ⑦ HF-Halogen Free;Blank-Halogen
- ⑧ Material:LP-LCP 94V-0
- ⑨ Planting Category: SW-Matte Tin plating(Tin:70u Min)



Poles	Dimensions(mm)			Poles	Dimensions(mm)		
	A	B	C		A	B	C
02	1.00	4.00	2.50	12	10.00	13.00	11.50
03	2.00	5.00	3.50	13	11.00	14.00	12.50
04	3.00	6.00	4.50	14	12.00	15.00	13.50
05	4.00	7.00	5.50	15	13.00	16.00	14.50
06	5.00	8.00	6.50	16	14.00	17.00	15.50
07	6.00	9.00	7.50	17	15.00	18.00	16.50
08	7.00	10.00	8.50	18	17.00	20.00	18.50
09	8.00	11.00	9.50	20	19.00	22.00	20.50
10	9.00	12.00	10.50				

X1002WVS-XXL-HF-LPSW	LCP UL 94V-0 Halogen Free	Phosphor Bronze	Tin Plating Fog	X1002H-L
PART NO	Material	Material(Pin And Solder Tabs)	Finish(Pin And Solder Tabs)	Suitable XKB Terminal

广东星坤科技股份有限公司
Recommend PCB Layout

生 效	日期	DESCRIPTION	DATE	REVISED	APPROVED	ANGLAR	±5°
ΔX						L ≤ 4	±0.2
ΔX						4 < L ≤ 16	±0.3
ΔX						16 < L ≤ 63	±0.4
MARK						L > 63	±0.5
REVISIONS						UNSPECIFIED TOLERANCES	

DSND		DATE		SCALE: N/A	MODEL TYPE: X1002WVS-XXL-HF-LPSW
DWN		DATE		VIEW:	PART NO.: 1.0mm Crimp Style Connectors
CHKD		DATE		UNIT: mm/in	DWG NO.:
APPD		DATE		SIZE: A4	
XKB INDUSTRIAL PRECISION CO., LIMITED					WEIGHT 1.0g
					SHEET 1/1
					REVISION A0