

GENERAL DESCRIPTION

The HP2601 is a charger front-end integrated circuit designed to provide protection to Li-ion batteries from failures of charging circuitry. The device monitors the input voltage, battery voltage and the charging current to make sure all three parameters are operated in normal range. The device will switch off internal MOSFET to disconnect IN to OUT to protect load when any of input voltage, output current exceeds the threshold. The Over temperature protection (OTP) function monitors chip temperature to protect the device. The HP2601 also can protect the system's battery from being over charged by monitors the battery voltage continuously. The device operates like a linear regulator, maintaining a 5.1V output with input voltages up to the input over-voltage threshold.

The HP2601 is available in DFN-2x2-8L package. Standard products are Pb-free and Halogen-free.

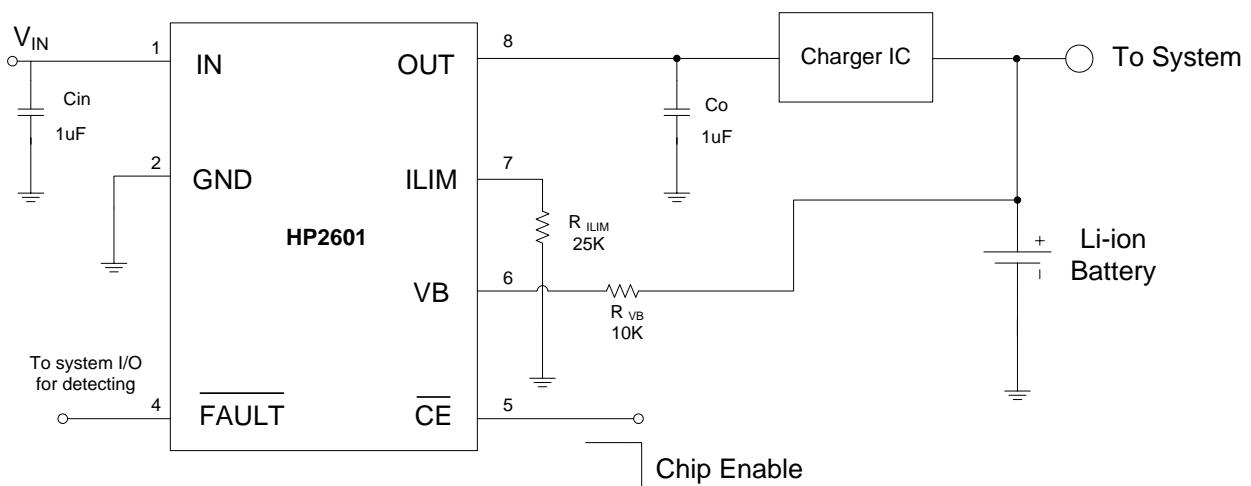
FEATURES

- Maximum Input Voltage: 24V
- Programmable OCP: Up to 1.5A
- Input OVP: 6.8V
- OVP Response Time: Less Than 1us
- Battery OVP threshold: 4.35V (Typ.)
- Over Temperature Protection
- Soft-Start to Prevent Inrush Currents
- LDO Mode Output: 5.1V
- Fault Indication Output
- Enable Input
- High Immunity of False Triggering Under Transient
- Thermal Enhanced DFN Package
- RoHS Compliant and Halogen Free

APPLICATIONS

- GPS
- MID
- Car DVR
- Digital Video

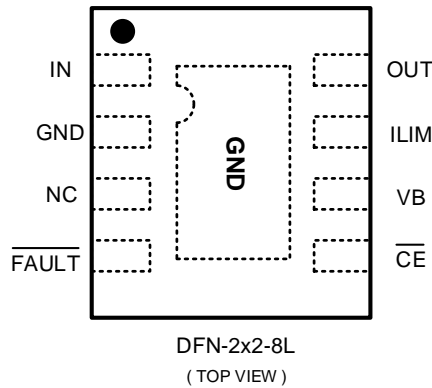
TYPICAL APPLICATION CIRCUIT



ORDERING INFORMATION

PART NO	OVP TYPE	PACAKGE	TEMPERATURE	TAPE & REEL
HP2601D8-68	6.8V	DFN-2x2-8L	-40 ~ +85 °C	4000/REEL

PIN ASSIGNMENT



PIN DESCRIPTION

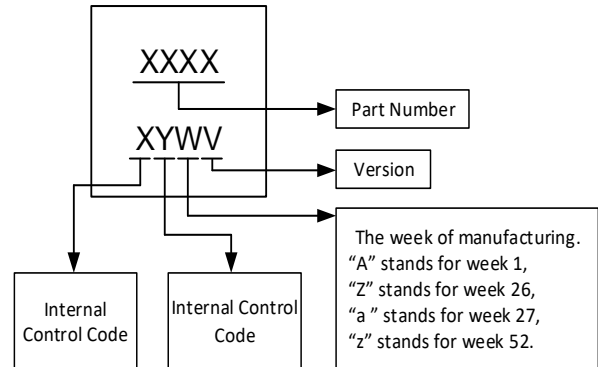
PIN	SYMBOL	I/O	DESCRIPTION
1	IN	Power	Input Power. Connected to external DC supply and bypass IN to VSS with a ceramic capacitor (1μF MIN).
2	GND	Ground	Power ground. Connect to the thermal pad and to the ground rail of the circuit.
3	NC	/	Not connected.
4	$\overline{\text{FAULT}}$	O	This is an open-drain logic output that turns LOW when any protection event occurs.
5	$\overline{\text{CE}}$	I	Chip Enable (Active Low). Pull this pin to low or leave it floating to enable the IC and force it to high to disable the IC. This is internally pulled down and pull-down resistor is about 200kΩ.
6	VB	I	Battery Voltage Sense Input. Connected to battery's positive terminal through a 10kΩ resistor.
7	ILIM	O	Over current protection threshold setting pin. Connect a resistor between this pin and GND to set the OCP threshold: $I_{\text{OCP}} = \frac{23000}{R_{\text{ILIM}}}(\text{A})$
8	OUT	O	Output terminal to the charging system. Bypass OUT to VSS with a ceramic capacitor (1μF MIN).
9	Expose Pad	GND	Thermal pad electrically connected to GND pin internally. This pad must be soldered to a large PCB and connected to GND for maximum thermal dissipation.

PART NUMBER RULES

HP2601 [1]-[2]

Code	Description
[1]	Package: D8: DFN-2x2-8L
[2]	OVP version: XX: OVP threshold voltage Example: 68: 6.8V

MARKING DESCRIPTION



ABSOLUTE MAXIMUM RATINGS (Note)

SYMBOL	ITEMS	VALUE	UNIT
IN	Input Voltage	-0.3~24	V
OUT	Output Voltage	-0.3~7	V
All other pins	$\overline{\text{FAULT}}$, $\overline{\text{CE}}$, ILIM, VB	-0.3~6	V
I _{OMAX}	Output Load Current	1.5	A
I _{SINK}	$\overline{\text{FAULT}}$ Pin Sink Current	15	mA
P _{DMAX}	Power Dissipation ^{*1}	1	W
R _{θJA}	Thermal Resistance ^{*2}		
T _J	Junction Temperature	-40~150	°C
T _{STG}	Storage Temperature	-55 to 150	°C
T _{SOLDER}	Package Lead Soldering Temperature (10s)	260	°C
HBM	ESD Susceptibility, Human Body Model	8	KV
MM	ESD Susceptibility, Machine Model	400	V
CDM	ESD Susceptibility, Charged Device Model	2	KV

Note: Exceed these limits might damage the device. Exposure to absolute maximum rating conditions may affect device reliability.

*1: Surface mounted on FR-4 Board using 1 square inch pad size, dual side, 1oz copper.

*2: Power dissipation is calculated by $P_D = (V_{IN} - V_{OUT}) \times I_{OUT}$

RECOMMENDED OPERATING RANGE

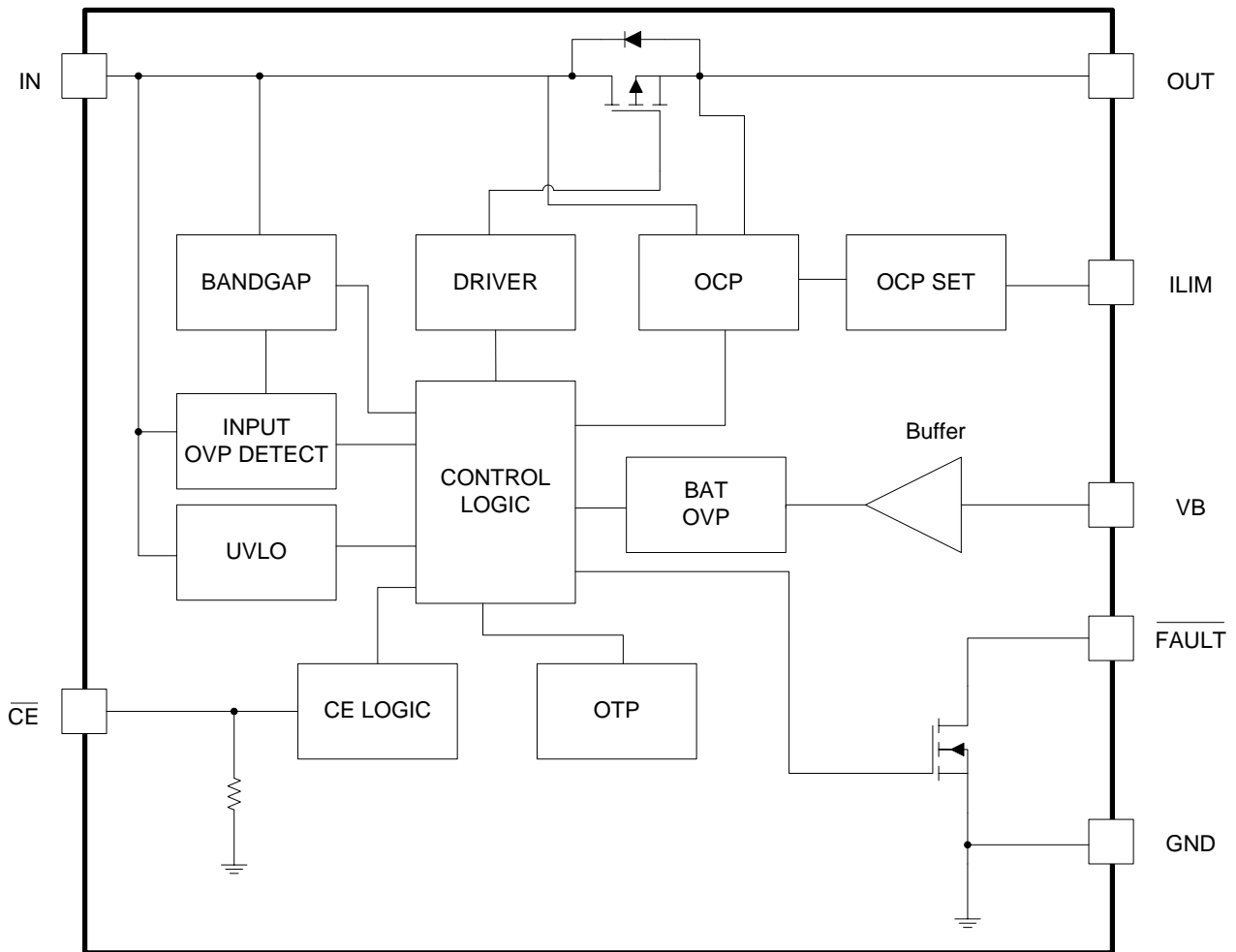
SYMBOL	ITEMS	VALUE	UNIT
IN	Input Supply Voltage	3.5 to 24	V
OUT	Output Current	0.5~1	A
T _{OPR}	Operating Temperature	-40 to +85	°C

ELECTRICAL CHARACTERISTICS

($V_{IN} = 5V$, $R_{LIM} = 23K$, \overline{CE} floating, $T_A = 25^\circ C$, $C_{IN} = C_{OUT} = 1\mu F$, unless otherwise noted.)

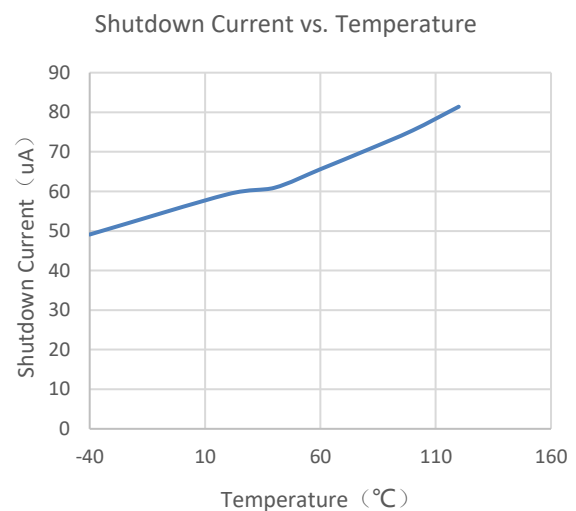
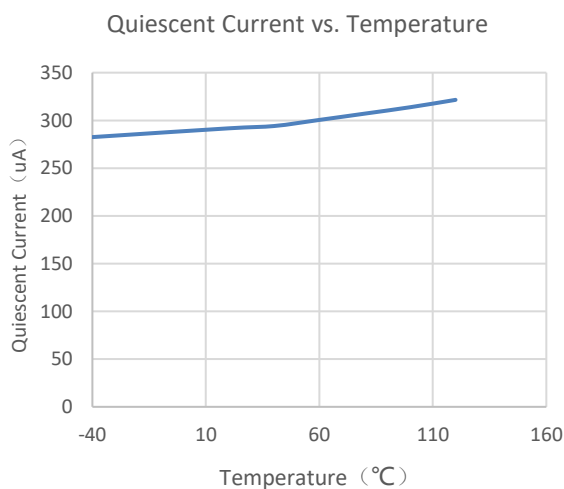
SYMBOL	ITEMS	CONDITIONS	MIN	TYP	MAX	UNIT
DC Characteristics and Power-On-Reset						
V_{IN}	Operation voltage		3.5		6.5	V
UVLO	Under voltage lockout threshold	V_{IN} increasing from 0~3V	2.5	2.7	2.9	V
$V_{HYS-UVLO}$	Under voltage lockout hysteresis	V_{IN} decreasing from 3~0V		80	150	mV
I_Q	Input quiescent current	$V_{IN} = 5.5V$, $\overline{CE} = 0$, $I_{OUT} = 0A$		280	400	μA
I_{SHDN}	Input shutdown current	$\overline{CE} = 5V$, $I_{OUT} = 0A$		65	95	μA
t_{DGL}	Deglintch time, Input power detected status			8		ms
t_{ON}	Output power-on time	V_{IN} ready to output ON	6	8	10	ms
Input Over-Voltage-Protection (OVP)						
V_{OUT}	Output Voltage	$V_{IN} = 5.5V$	4.9	5.1	5.3	V
V_{OVP}	OVP threshold		6.6	6.8	7	V
$V_{HYS-OVP}$	OVP hysteresis			100		mV
t_{OVP}	Input OVP propagation delay	$V_{IN}: 5.5V$ to 10V			1	μs
$t_{ON(OVP)}$	Input OVP recovery delay	$V_{IN}: 10V$ to 5.5V to output ON	6	8	10	ms
Over-Current-Protection (OCP)						
I_{OCP}	Over current protection	$V_{IN} = 5V$, $R_{LIM} = 23K$	0.9	1	1.1	A
t_{OCP}	Over current protection blanking time			180		μs
$t_{ON(OCP)}$	Over current recover delay			64		ms
Battery Over-Voltage-Protection (BOVP)						
V_{BOVP}	Battery OVP threshold		4.3	4.35	4.4	V
$V_{HYS-BOVP}$	Battery OVP hysteresis			200		mV
t_{BOVP}	Battery OVP blanking time			180		μs
$t_{ON(BOVP)}$	Battery OVP recovery delay			8		ms
I_{VB}	VB pin leakage current	$V_{VB} = 4.4V$			20	nA
Over-Temperature-Protection (OTP)						
T_{OTP}	OTP threshold			150		$^\circ C$
$T_{OTP-HYS}$	OTP hysteresis			30		$^\circ C$
$t_{ON(OTP)}$	OTP recovery delay			8		ms
Logic Levels ON \overline{CE}						
V_{IH}	Logic high input voltage	\overline{CE} rising	1.5			V
V_{IL}	Logic low input voltage	\overline{CE} falling			0.4	V
$R_{\overline{CE}}$	\overline{CE} internal pull down resistor			200		K Ω
Logic Levels ON \overline{FAULT}						
V_{OL}	Output low voltage	$I_{SINK} = 5mA$		0.15	0.3	V
I_{LKG}	Output logic high leakage current	$V_{\overline{FAULT}} = 5V$			1	μA
Power MOSFIT						
R_{ON}	On resistance ^{*3}	$I_{OUT} = 0.5A$		400		m Ω

SIMPLIFIED BLOCK DIAGRAM

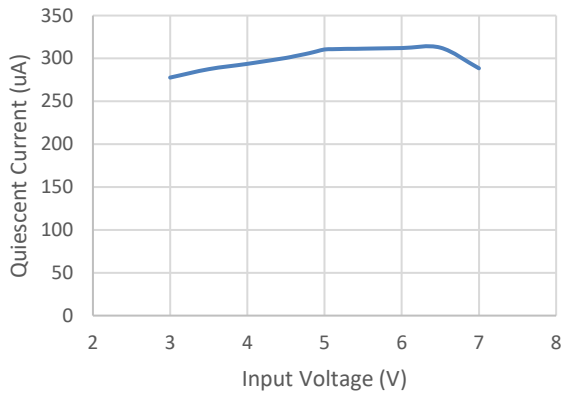


TYPICAL PERFORMANCE CHARACTERISTICS

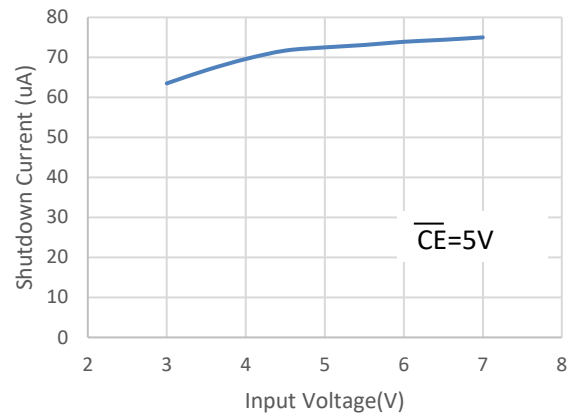
$V_{IN} = 5V$, $R_{ILIM} = 23K$, \overline{CE} floating, $T_A = 25^\circ C$, $C_{IN} = C_{OUT} = 1\mu F$, unless otherwise noted.



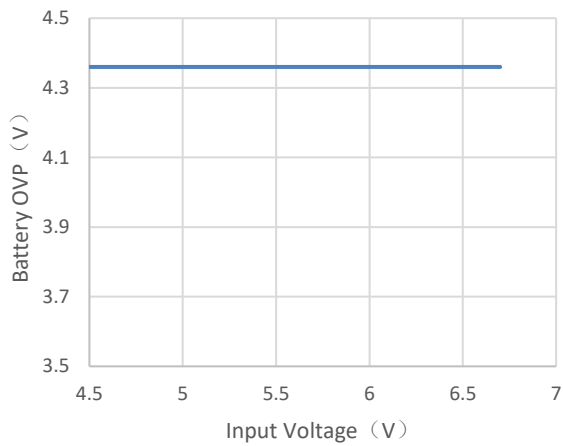
Quiescent Current vs. Input Voltage



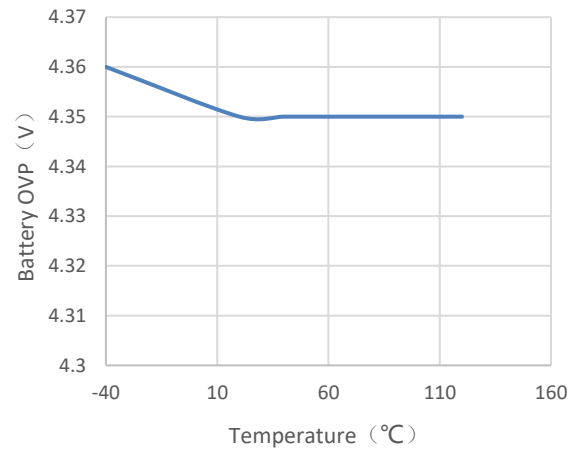
Shutdown Current vs. Input Voltage



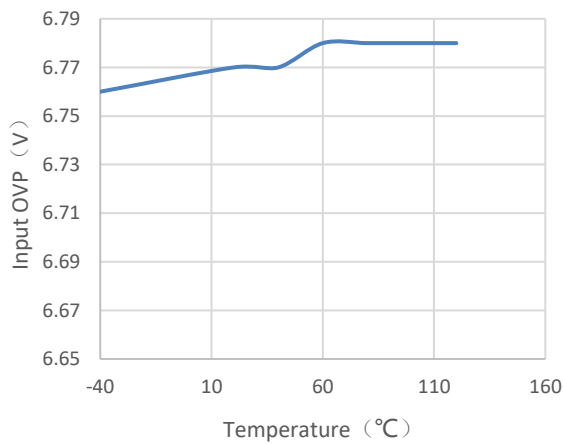
Battery OVP vs. Input Voltage



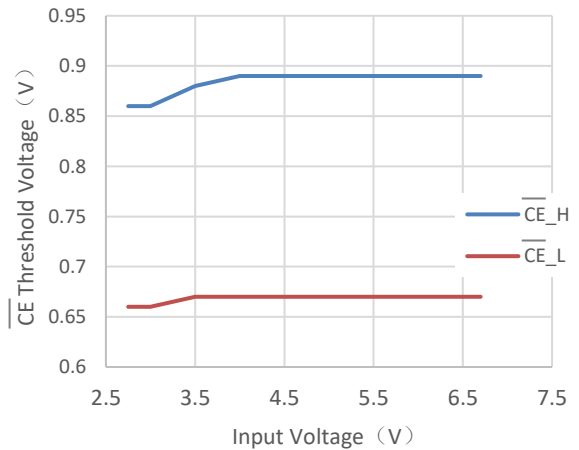
Battery OVP vs. Temperature



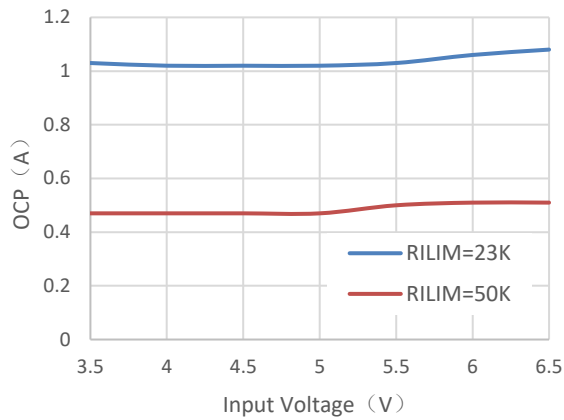
Input OVP vs. Temperature



\overline{CE} Threshold Voltage vs. Input Voltage



OCP vs. Input Voltage



Power ON/OFF

CH1: FAULT

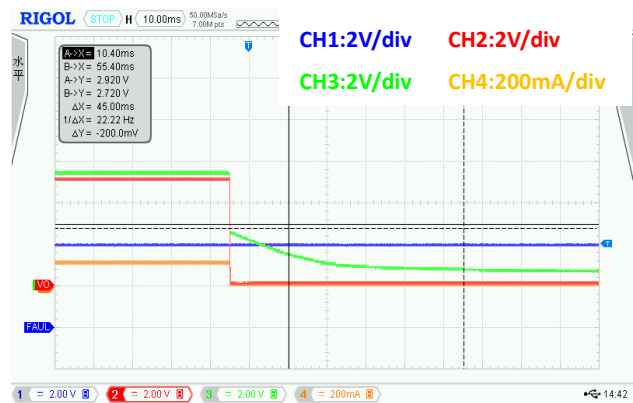
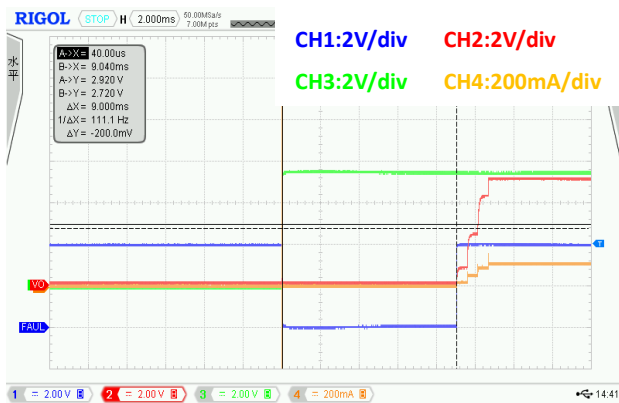
CH2: V_{OUT}

CH3: V_{IN}

CH4: I_{OUT}

Power ON

Power OFF



Input OVP

CH1: FAULT

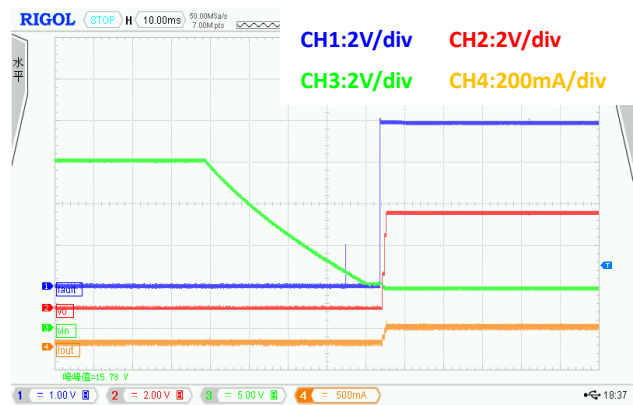
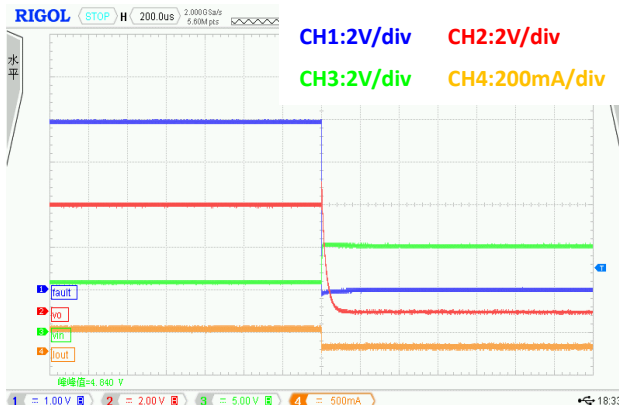
CH2: V_{OUT}

CH3: V_{IN}

CH4: I_{OUT}

Input OVP

Input OVP recovery



Battery OVP

CH1:FAULT

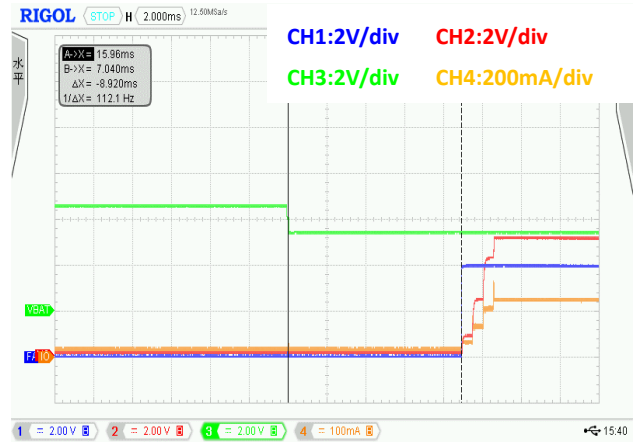
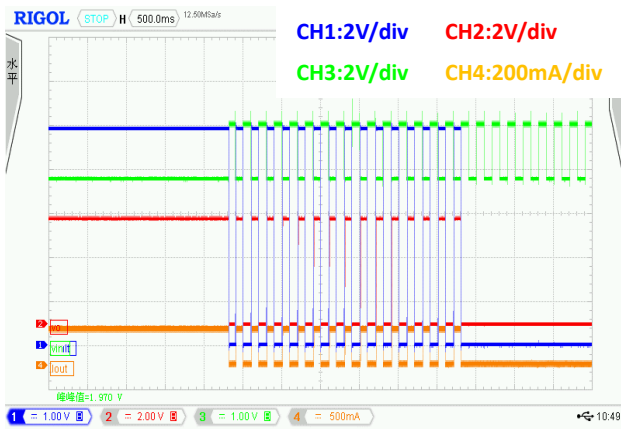
CH2:V_{OUT}

CH3:V_{BAT}

CH4:I_{OUT}

Battery OVP

Battery OVP recovery



OCP

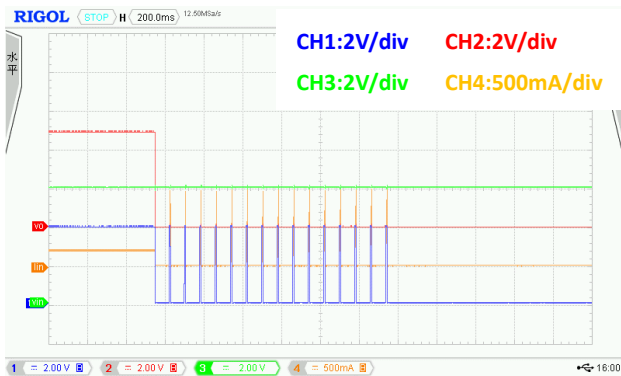
CH1:FAULT

CH2:V_{OUT}

CH3:V_{IN}

CH4:I_{OUT}

OCP



APPLICATION INFORMATION

The HP2601 is a highly integrated circuit designed to provide protection to Li-ion batteries from failures of the charging circuit and the input source. The IC continuously monitors the input voltage and the battery voltage. The device operates like a linear regulator, maintaining a 5.1V output with input voltages up to the input over-voltage threshold ($V_{OVP} = 6.8V$). If the input voltage exceeds V_{OVP} , the IC turn off the MOSFET and disconnects the system from input power. Additionally, if the battery voltage rises above 4.35V, the IC switches off the MOSFET, removing the power from the system until the battery voltage falls to safe levels. The IC also monitors its die temperature and switches the MOSFET off if it exceeds 150°C.

The IC can be controlled by a processor, and also provides status information about fault conditions to the host.

Power Up

The HP2601 has a threshold of 2.7V power on reset (UVLO) with a built-in hysteresis of 80mV. Before the input voltage reaches the UVLO threshold, the HP2601 is off. When the input voltage is over the UVLO threshold; the HP2601 will delay for 8ms and the soft-start will be activated after the 8ms delay. The 8ms delay allows any transient at the input during a hot insertion of the power supply to settle down before the IC starts to operate.

During the soft-start transition, the HP2601 slowly turns on the internal MOSFET to reduce the inrush current.

Enable Control

The HP2601 offers an enable (\overline{CE}) input. When the \overline{CE} pin is pulled to logic high (>1.5V), the HP2601 will shut down. When the \overline{CE} pin is pulled to logic low (<0.4V), the HP2601 will power on. The \overline{CE} pin has an internal pull-down resistor, and leaving the \overline{CE} pin floating can enable the IC.

\overline{FAULT} Indication Output

The \overline{FAULT} pin is an open-drain output that indicates a LOW signal when any protection event occurs (Input OVP, Output OCP, Battery OVP and OTP). When the protection events are released and then the \overline{FAULT} pin indicates a HIGH signal.

Over Temperature Protection (OTP)

The HP2601 monitors its own internal temperature to prevent thermal failures. The chip turns off the MOSFET when the internal temperature reaches 150°C. The IC will resume after the internal temperature is cooled down below 30°C.

Input Over Voltage Protection

The HP2601 monitors input voltage to prevent the input voltage lead to output system failures. The HP2601 input OVP threshold is set by the internal resistor. When the input voltage exceeds the threshold, the HP2601 outputs a logic signal to turn off the internal MOSFET within 1us to prevent the high input voltage from damaging the electronics in the handheld system. The hysteresis of the input OVP threshold is 100mV. When the input voltage returns to normal operation voltage range, the HP2601 re-enables the MOSFET.

Battery Over Voltage Protection

The battery OVP threshold voltage is set at 4.35V typically and the HP2601 has a built-in 180us blanking time to prevent any transient voltage from triggering the battery OVP. If the OVP situation still exists after 180us, the internal MOSFET will be turned off and the \overline{FAULT} pin indicate a LOW signal. The battery OVP threshold has a 200mV built in hysteresis. The control logic contains a 4-bit binary counter. If the battery over voltage event occurs for consecutive 16 times, the MOSFET will be turned off permanently unless the input power or the enable pin is reset.

Over Current Protection (OCP)

The HP2601 monitors the output current to prevent the output short or the charging of the battery with an excessive current. The OCP (Over Current protection) threshold can be set by the ILIM pin. The HP2601 has a built-in 180us delay time to prevent any transient noise from triggering the OCP. If the OCP situation exists for 180us, the internal MOSFET will be turned off and the $\overline{\text{FAULT}}$ pin indicate a LOW signal. When the OCP happens for consecutive 16 times, the internal MOSFET will be turned off permanently unless the input power is recycled or the enable pin is toggled.

The OCP threshold can be set by the resistor connected between the ILIM pin and GND. The OCP threshold can be calculated by the following equation:

$$I_{\text{OCP}} = \frac{23000}{R_{\text{ILIM}}} (\text{A})$$

Selecting R_{VB}

The HP2601 monitors the battery voltage by the VB pin. The HP2601 will be turned off when the battery voltage exceeds the 4.35V battery OVP threshold. The VB pin is connected to the battery pack positive terminal via an isolation resistor (R_{VB}) and the resistor is an important component. The R_{VB} determines some parameters such as battery OVP threshold error and VB pin leakage current. Generally, it is necessary to decrease the R_{VB} for reducing the battery OVP threshold error. However, this will increase the VB pin leakage current. So, it is an important issue to get a trade-off between the battery OVP threshold error and the VB pin leakage current. The resistance between 10k Ω to 100K Ω is recommended for R_{VB} .

If the battery OVP function is not required, the VB pin can be connected to GND.

PACKAGE OUTLINE

Package	DFN-2x2-8L	Devices per reel	4000Pcs	Unit	mm
Package Dimension:					
<p style="text-align: center;">TOP VIEW</p>		<p style="text-align: center;">BOTTOM VIEW</p>			
<p style="text-align: center;">SIDE VIEW</p>					
Symbol	Dimensions In Millimeters		Dimensions In Inches		
	MIN	MAX	MIN	MAX	
A	0.700	0.800	0.028	0.031	
A1	0.000	0.050	0.000	0.002	
A2	0.203 REF		0.008 REF		
D	1.900	2.100	0.075	0.083	
D1	1.100	1.300	0.043	0.051	
E	1.900	2.100	0.075	0.083	
E1	0.500	0.700	0.020	0.028	
b	0.180	0.300	0.007	0.012	
e	0.500 TYP		0.020 TYP		
k	0.200 MIN		0.008 MIN		
L	0.250	0.450	0.010	0.018	

Revision History

Version No.	Date	Description
Preliminary	2018-07-06	- Initial Preliminary release
Version 1.0	2018-08-08	- Update features - Update electrical characteristics - Update typical performance characteristics
Version 1.1	2018-09-12	- Update quantity per reel - Update OVP hysteresis - Update OCP formula - Update ESD Susceptibility - Update OTP threshold and hysteresis
Version 1.2	2019-05-28	- Update recommended maximum input voltage
Version 1.3	2019-07-10	- Update ESD Susceptibility
Version 1.4	2019-08-16	- Update recommended operating range
Version 1.5	2019-12-02	- Update marking description