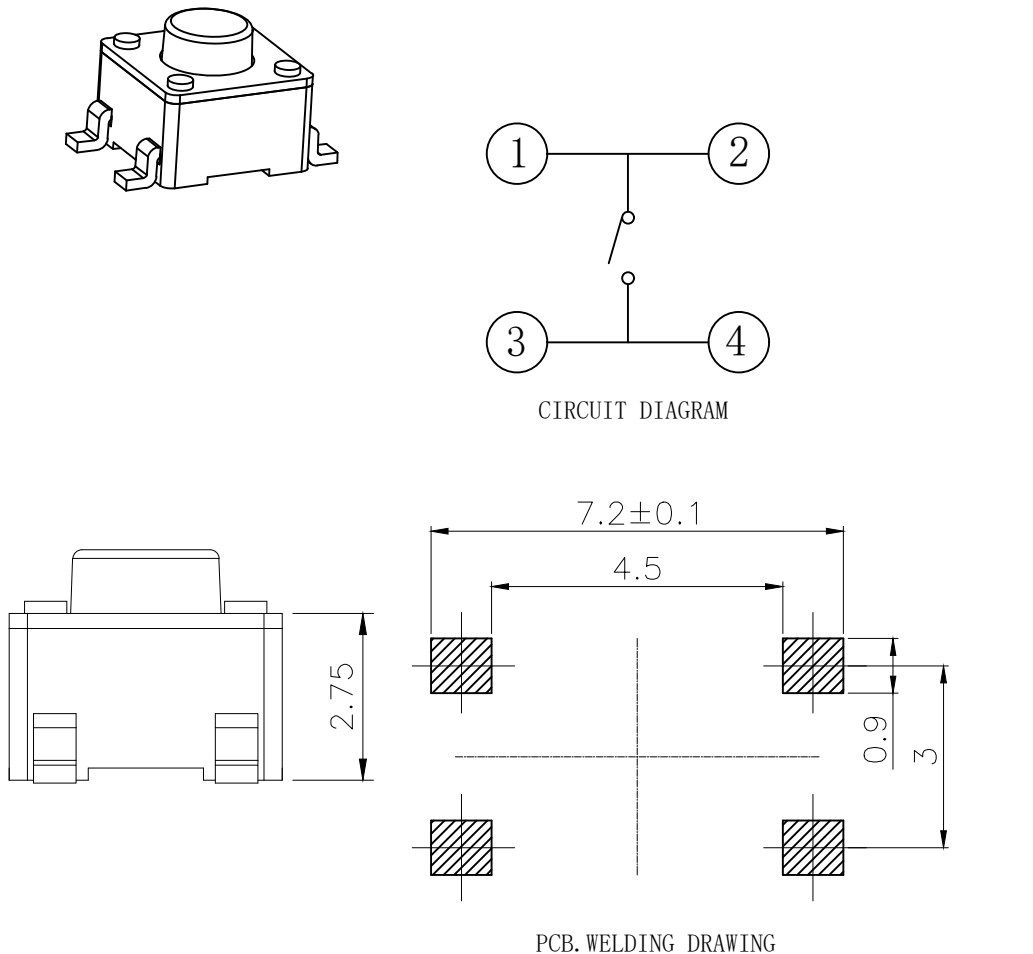
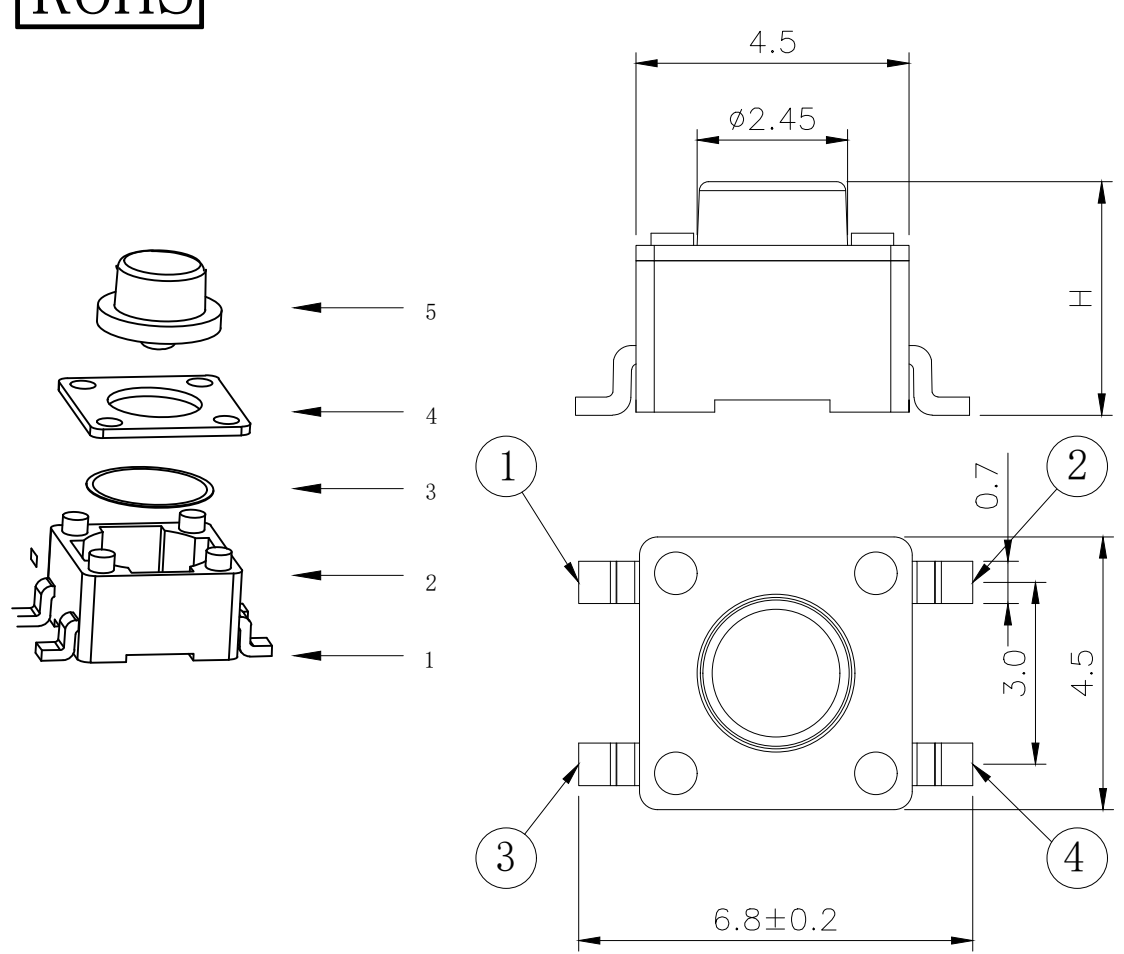


RoHS

CAD GENERATED DRAWING. DON'T CHANGE BY HAND.

REV.	ECN. NO.	APPD.



Specification

Operating Life	100,000
Contact rating	50mA@12V DC.
Insulation resistance	1011Ω min.
Contact resistance	100mΩ max. initial.
Dielectric Strength	250 V AC(1mm)
Travel	0.2±0.15mm
Storage Temperature	- 30° C to 85° C

Mechanical

Type	Operating Force (gf)	Height mm	Button	Leads Shape (G, J, T)	Ground pin (0, 1)	Pegs Option (0, 1)	
YTS1H015	250±50	**	B (BLACK)	G	0	0 (None)	
		P					9.5
		N					9.0
		M					8.0
		J					6.5
		K					7.0
		H					6.0
		G					5.5
		F					5.0
		E					4.8
		D					4.5
		C					4.3
B	3.8						
A	3.5						

E	Button	PPA	1	Black
D	COVER	Brass	1	Cleaning
C	DOME	Stainless Steel	1	Plated Ag
B	HOUSING	PPA	1	Black
A	PIN	PHOSPHOR BRONZE	1	Plated Ag

ITEM	DESCRIPTION	MATERIAL	QTY	FINISH/COLOR
1	HOUSING	PPA	1	Black
2	HOUSING WITH PINS	PPA	1	Black
3	DOME	STAINLESS STEEL	1	PLATED AG
4	COVER	BRASS	1	CLEANING
5	BUTTON	PPA	1	BLACK

Packaging:
 Reel of 2,000 pieces for 3.5~4.8H.
 Reel of 1,500 pieces for 5.0~5.5H.
 Reel of 1,000 pieces for 6.0~9.5H.

X. ±0.50	X.° ±2°	UNITS mm	深圳市怡远科技有限公司 SHENZHEN YIYUAN TECHNOLOGY CO., LTD
.X ±0.30	.X° ±1°		
.XX ±0.10	.XX° ±0.5°	MAT'L	PART NO. YTS1H015
.XXX ±0.05		FINISH	TITLE: TACTILE SWITCH
THESE DRAWINGS AND SPECIFICATIONS ARE THE PROPERTY OF YIYUAN TECHNOLOGY CO.,LTD AND SHALL NOT BE REPRODUCED, COPIED OR USED IN ANY MANNER WITHOUT THE PRIOR WRITTEN CONSENT OF YIYUAN TECHNOLOGY CO.,LTD			APPD: ROGER
			CHKD: ROC
DR: BILLY WANG 2020/08/21			DWG NO.: YTS1H015
		SCALE	SHEET
		1/1	1/1
		REV.	A1