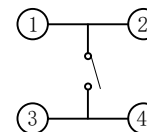
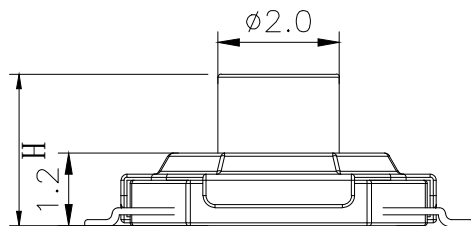
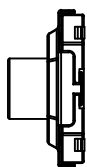
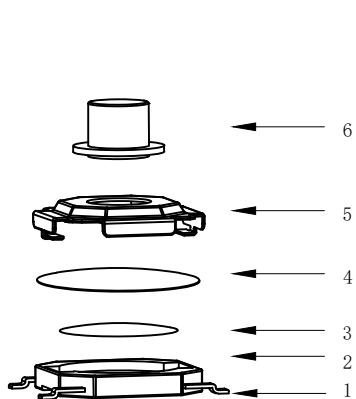


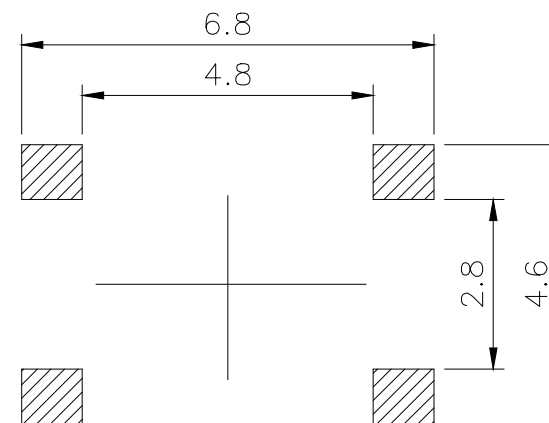
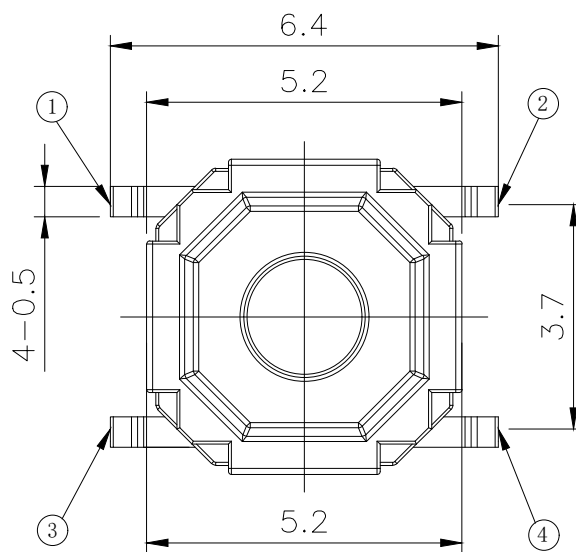
# RoHS

CAD GENERATED DRAWING. DON'T CHANGE BY HAND.

REV.	ECN. NO.	APPD.



CIRCUIT DIAGRAM



PCB. WELDING DRAWING

Specification

Operating Life	200,000
Contact rating	50mA@12V DC.
Insulation resistance	1011 $\Omega$ min.
Contact resistance	100m $\Omega$ max. initial.
Dielectric Strength	250 V AC(1mm)
Travel	0.2 $\pm$ 0.15mm
Storage Temperature	-30° C to 85° C

Mechanical

ITEM	DESCRIPTION	MATERIAL	QTY	FINISH/COLOR
E	Button	Brass	1	Pickling
D	COVER	Stainless Steel	1	Cleaning
C	HOME	Stainless Steel	1	Plated Ag
B	HOUSING	PPA	1	Black
A	PIN	PHOSPHOR BRONZE	1	Plated Ag

Type	Operatin g Force (gf)	Heiht mm	Button	Leads Shape (G, J, T)	Ground pin (0, 1)	Pgs Option (0, 1)
YTS1H005	3	G	3.0	G	0	0
		F	2.5	G	0	0
		E	2.3	G	0	0
	2	D	2.0	G	0	0
		C	1.7	G	0	0
		B	1.6	G	0	0
1	160 $\pm$ 50	A	1.5	G	0	0

.X	$\pm 0.50$	$X.^{\circ} \pm 2^{\circ}$
.XX	$\pm 0.30$	$.X.^{\circ} \pm 1^{\circ}$
.XXX	$\pm 0.10$	$.XX.^{\circ} \pm 0.5^{\circ}$
.XXX	$\pm 0.05$	

THESE DRAWINGS AND SPECIFICATIONS ARE THE PROPERTY OF YIYUAN TECHNOLOGY CO.,LTD AND SHALL NOT BE REPRODUCED, COPIED OR USED IN ANY MANNER WITHOUT THE PRIOR WRITTEN CONSENT OF YIYUAN TECHNOLOGY CO.,LTD

UNITS	mm
MAT'L	/
FINISH	/
Q'TY	/

yiYUAN 深圳市怡远科技有限公司  
SHENZHEN YIYUAN TECHNOLOGY CO., LTD

PART NO. YTS1H005 TITLE: TACTILE SWITCH

APPD: ROGER DWG NO.: YTS1H005

CHKD: ROC

DR: BILLY WANG 2020/08/21

SCALE 1/1 SHEET 1/1 REV. A1

Packaging:  
Reel of 4,000 pieces.