

REVISION RECORD				
REV	ECN	DESCRIPTION	DRFT	DATE
AO		NEW		20.12.9

NOTES1:

UL Standard

- 1.Rated voltage/current : 600V / 41A
- 2.Withstanding voltage : AC2200V/1Min.
- 3.Torque value : M3 , 7.0Lb.in
- 4.Wire range : 24~8AWG(str)
24~10AWG(sol)

IEC Standard

1. Pollution degree	2	2	3
Overvoltage category	II	III	III
Rate impulse voltage(KV)	6KV	6KV	6KV
Rate voltage(V)	1000V	1000V	1000V
Rate current(A)	41A		

- 2.Torque value : M3 , 0.8N·m
- 3.Wire range : 0.5~6mm²

NOTES2:

- 1.Dimension shall be interpreted per ASME Y14.5-2009
- 2.Pitch : 7.62mm, Poles : N=02~12P
- 3.Stripping length : 11mm
- 4.Operating temperature: -40°C~+105°C
- 5.Undimensioned tolerances:

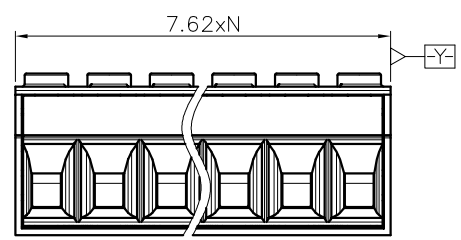
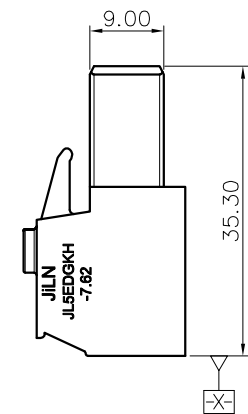
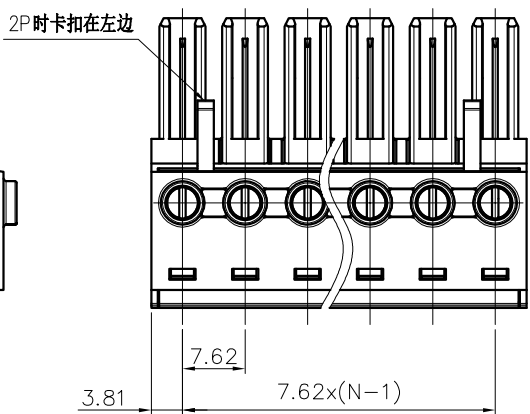
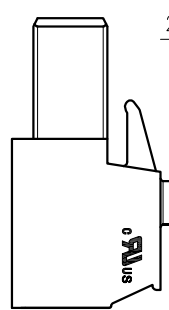
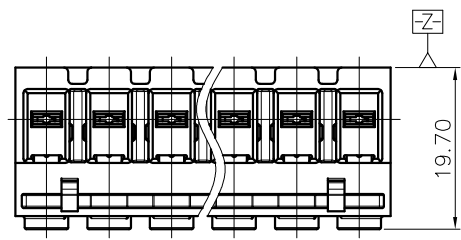
Pitch range in mm		Nominal dimension range in mm						0.1/10
TO	Over	TO	Over	TO	Over	TO	Over	
6	10	6	10	30	60	100	150	<
±0.15	±0.20	±0.30	±0.30	±0.50	±0.70	±1.00	±1.30	±2*

6.RoHS Compliance

Ordering Information

JL5EDGKH-762 XX G 0 1

- Pitch 762=7.62PH
- No.of pins 2P,3P,4P~12P
- Housing Color
B=Black
G=Green
U=Blue
R=Red
W=White
Y=Yellow
D=Orange
E=Grey
- Packing
Q=Pe bag
T=Tube
A=Tray



DRAW	SHUANGPING ZHENG	SCALE	FIT	JILN ® 东莞市锦凌电子有限公司 DONGGUAN JINLING ELECTRONIC CO.,LTD	
CHECK	LICHAD LIU	UNIT	mm		
APPROVE	YONGLIANG GAO	SIZE	A4	PART NO.	JL5EDGKH-762XXG01
		SHEET	1/1	TITLE:	JL5EDGKH-7.62-XXP 插拔式母座/绿色
		PROJ.			