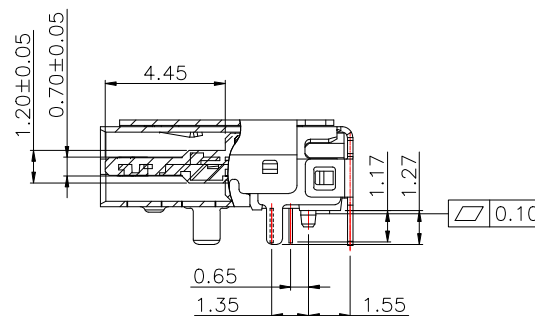
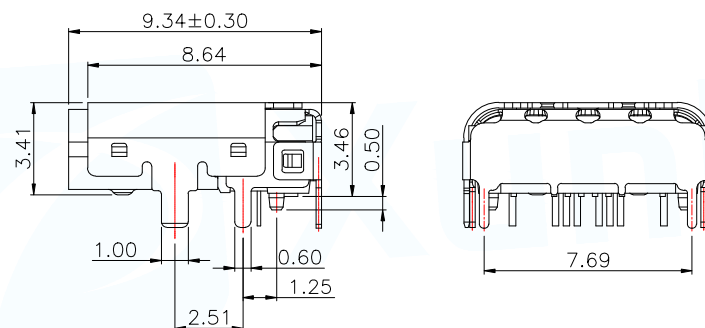
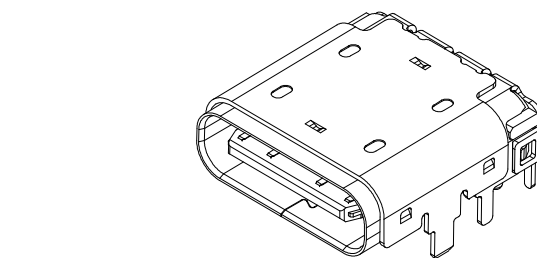
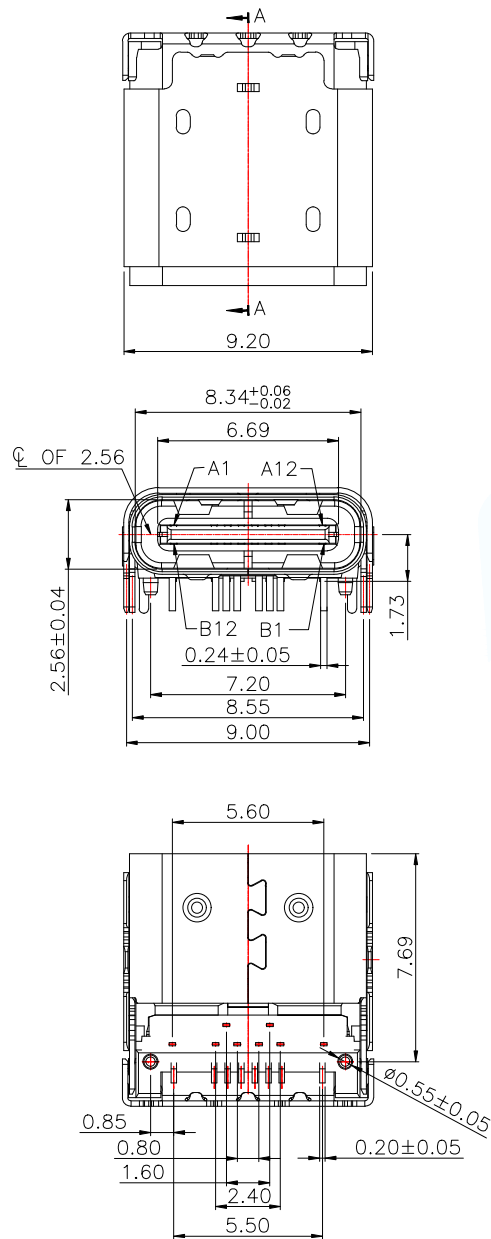


MAPX	MODIFICATION	DATE	DRAW	APPROVE

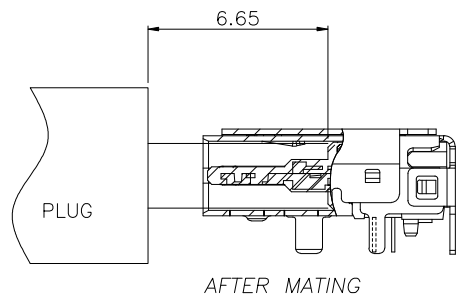


SECTION:A-A

NOTE:

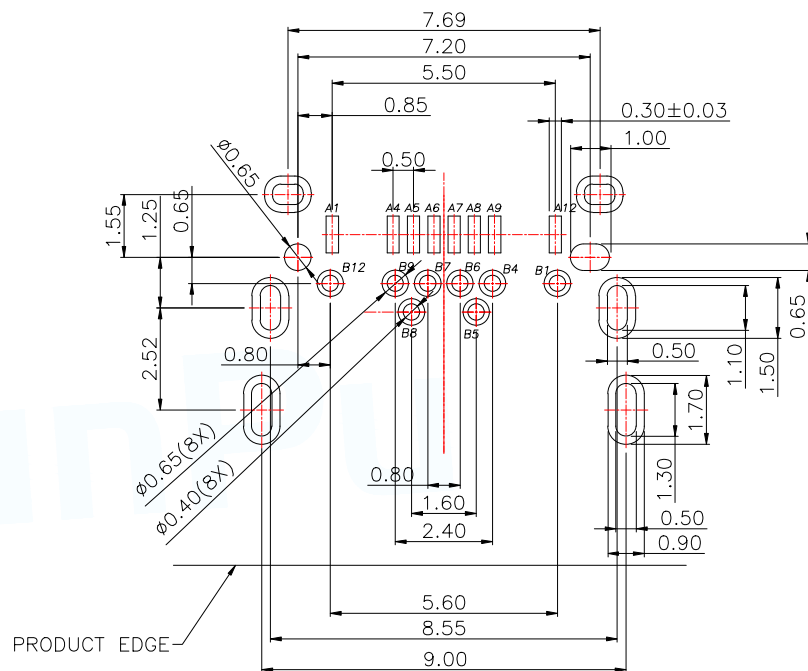
- 1.MATERIAL SPECIFICATION:
 - 1.HOUSING:PA9T COLOR SEE TABLE 1,UL94 V-0.
 - 2.CONTACTS:COPPER ALLOY(C1814)
 - 3.MID PLATE: STAINLESS STEEL(SUS301)
 - 4.FRONT SHELL&COVER: STAINLESS STEEL(SUS304)
- 2.PLATING SPECIFICATION:
 - 2-1.CONTACTS:
 - Ni 50u" MIN. UNDER PLATED OVER ALL.
 - Au PLATED ON THE FUNCTIONAL AREA OF CONTACT.
 - (GOLD PLATING THICKNESS FOLLOW THE P/N)
 - PLATING SPECIFICATIONS OF THE SOLDER AREA FOLLOW THE P/N
 - 2-2.FRONT SHELL & COVER:
 - Ni 30u" MIN. UNDER PLATED OVER ALL.
 - 2-3.MID PLATE
 - CLEAR ONLY
- 3.MECHANICAL PERFORMANCE,
 - 3-1.INSERTION FORCE: 0.5~2.0kgf.
 - 3-2.REMOVAL FORCE: 0.8kgf~2.0kgf.
 - 3-3.DURABILITY: 10000 CYCLES.
- 4.ELECTRICAL PERFORMANCE,
 - 4-1. CURRENT RATING:3.0A
VOLTAGE RATING:5.0V
 - 4-2. LLCR:
 - VBUS & GND PINS AND OTHER PINS: 40mA/PIN MAX.
 - SHIELD: 50mA/MAX.
 - LLCR MAX. CHANGE OF ALL PINS: 10mA.
 - 4-3.INSULATION RESISTANCE: 100MΩ MIN
 - 4-4.DIELECTRIC WITHSTAND VOLTAGE,AC 100V FOR 1 MINUTE.
5. ENVIRONMENTAL PERFORMANCE:
 - OPERATING TEMPERATURE: -25°C~+85°C.
- 6.IR REFLOW:
 - THE PEAK TEMPERATURE ON THE BOARD SHALL BE MAINTAINED FOR 10 SECONDS AT 260°C.

MANUFACTURE DWG			 东莞市讯普电子科技有限公司 DongGuan XunPu Electronics Co.,Ltd	
UNLESS OTHERWISE SPECIFIED TOLERANCES			TITLE: USB CF 16PIN DIP&SMT	
DECIMALS:	ANGLES:	PAR	TYPEC-319DDS-ACP16	
.X:±0.30	.X':±10°	DWN		
.XX:±0.20	.X':±8°	CHKD		
.XXX:±0.10	.XX':±5°	APVD		
CUSTOMER COPY		SCALE1:1	UNIT:MM	
		SIZE:A4	SHEET:1F1	REV:A



USB TYPE-C PIN ASSIGNMENTS

PIN NUMBER	SIGNAL NAME	PIN NUMBER	SIGNAL NAME
A1	GND	B12	GND
 	 	 	
A4	Vbus	B9	Vbus
A5	CC1	B8	SBU2
A6	Dp1	B7	Dn2
A7	Dn1	B6	Dp2
A8	SBU1	B5	CC2
A9	Vbus	B4	Vbus
 	 	 	
A12	GND	B1	GND



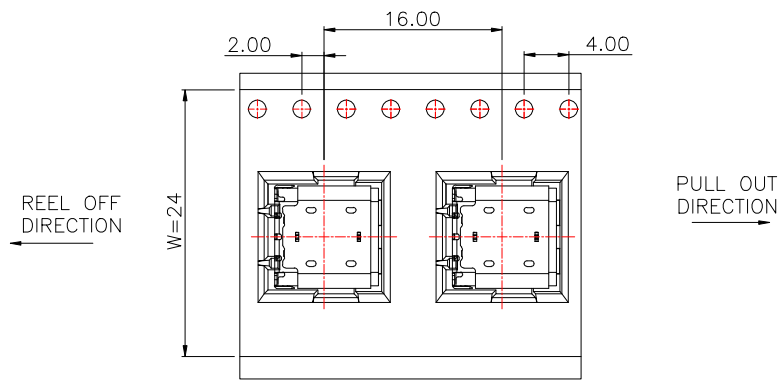
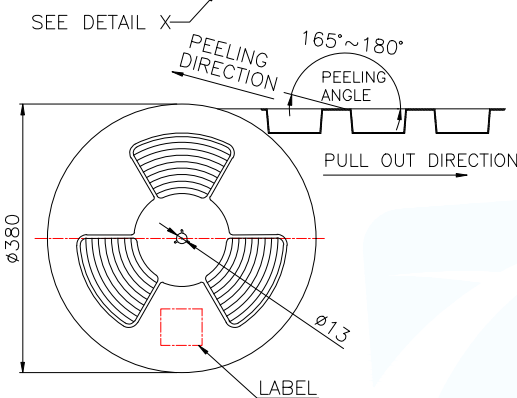
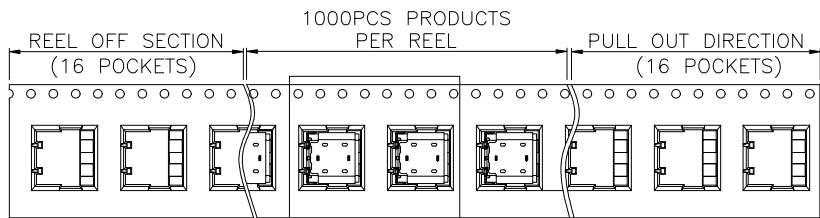
SCALE 1.5:1

RECOMMENDED PCB LAYOUT(TOP VIEW)
THICKNESS 1.0 MM;DEFAULT TOLERANCE:±0.05

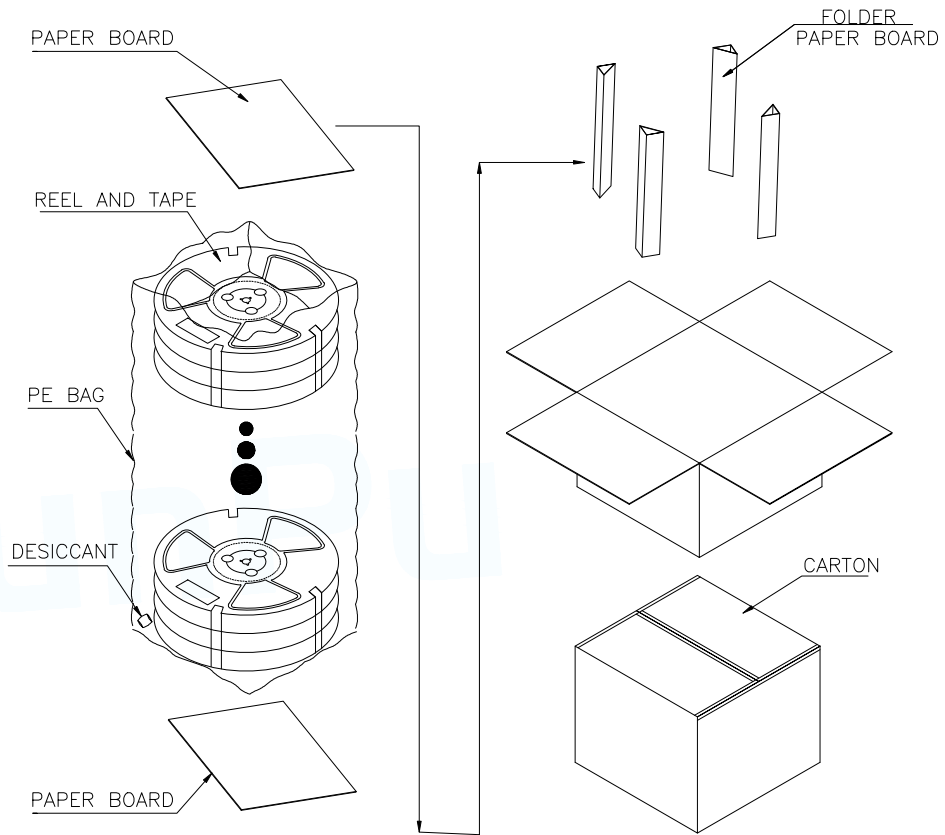
TABLE 1

ITEM	P/N	PLATING		HOUSING CLOER
		MATING AREA	SOLDER AREA	
1	TYPEC-319DDS-ACP16	Au:3u"	Au:G/F	BALCK

MANUFACTURE DWG		 东莞市讯普电子科技有限公司 DongGuan XunPu Electronics Co.,Ltd	
UNLESS OTHERWISE SPECIFIED TOLERANCES			TITLE: USB CF 16PIN DIP&SMT
DECIMALS: .X:±0.30 .XX:±0.20 .XXX:±0.10			PAR TYPEC-319DDS-ACP16
ANGLES: X':±10° .X':±8° .XX':±5°			DWN
CUSTOMER COPY			CHKD
SCALE 1:1		UNIT:MM	APVD
SIZE:A4		SHEET:1F1	REV:A



DETAIL X
SCALE 2:1



	REEL/TRAY	CARTON
CONNECTOR (PCS)	1000	10000

MANUFACTURE DWG			 东莞市讯普电子科技有限公司 DongGuan XunPu Electronics Co.,Ltd	
UNLESS OTHERWISE SPECIFIED TOLERANCES			TITLE: USB CF 16PIN DIP&SMT	
DECIMALS:	ANGLES:	PAR	TYPEC-319DDS-ACP16	
.X:±0.30	X':±10°	DWN		
.XX:±0.20	.X':±8°	CHKD		
.XXX:±0.10	.XX':±5°	APVD		
CUSTOMER COPY		SCALE1:1	UNIT:MM	
		SIZE:A4	SHEET:1F1	REV:A