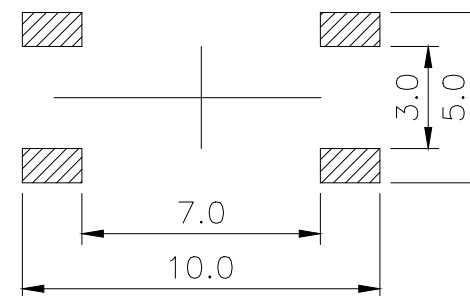
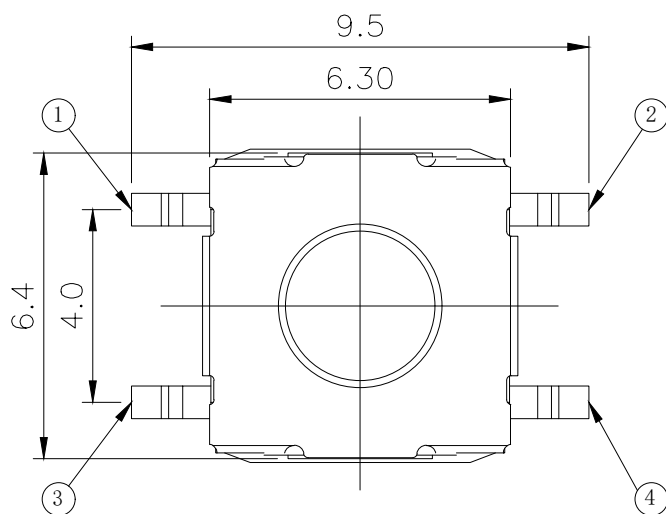
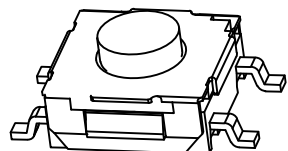


CIRCUIT DIAGRAM



PCB WELDING DRAWING

Specification

Operating Life	100,000
Contact rating	50mA@12V DC.
Insulation resistance	1011 Ω min.
Contact resistance	100mΩ max. initial.
Dielectric Strength	250 V AC(1mm)
Travel	0.25±0.15mm
Storage Temperature	-30° C to 80° C

Packaging:
Reel of 1,500 pieces for 3.1-3.5H
Reel of 1,000 pieces for 4.3*5.0H.

Mechanical

ITEM	DESCRIPTION	MATERIAL	QTY	FINISH/COLOR
E	Button	Silica	1	Pickling
D	COVER	Stainless Steel	1	Cleaning
C	DOME	Stainless Steel	1	Plated Ag
B	HOUSING	PPA	1	Black
A	PIN	PHOSPHOR BRONZE	1	Plated Ag

Type	Operatin g Force(gf)	Height mm	Button	Leads Shape(G, J, T)	Ground pin (0, 1)	Pogs Option(0, 1)
YTS1S005	4	400±50	D	5.0	E (Ecru) U (Bale) W (White)	G 0 (None) 0 (None)
	3	250±50	C	4.3		
	2	160±50	B	3.5		
	1	100±50	A	3.1		

X.	±0.50	X.°	±2°	UNITS mm
.X	±0.30	.X°	±1°	
.XX	±0.10	.XX°	±0.5°	MAT'L
.XXX	±0.05			

THESE DRAWINGS AND SPECIFICATIONS ARE THE PROPERTY OF YIYUAN TECHNOLOGY CO.,LTD AND SHALL NOT BE REPRODUCED, COPIED OR USED IN ANY MANNER WITHOUT THE PRIOR WRITTEN CONSENT OF YIYUAN TECHNOLOGY CO.,LTD

FINISH	
Q' TY	

	深圳市怡远科技有限公司 SHENZHEN YIYUAN TECHNOLOGY CO.,LTD	
	PART NO. YTS1S005*G	TITLE: TACTILE SWITCH
APPD: ROGER	DWG NO.: YTS1S005*G	
CHKD: ROC	SCALE SHEET REV. 1/1 1/1 A1	
DR: BILLY WANG 2020/08/21		