

### GENERAL DESCRIPTION

The PS11108E is a single-pole/eight-throw (SP8T) antenna switch, which supports from 0.1GHz to 3GHz. The device features low insertion loss and high isolation, which make it suitable for 2G/3G/4G transmitting/receiving (TRx) applications. It also has the advantage of high linearity performance. The PS11108E is not subject to cellular interference and is applied to multi-mode and multi-band LTE mobile phones.

The PS11108E has the ability to integrate SP8T RF switch and GPIO controller on a SOI chip. Internal driver and decoder for switch control signals are offered by the GPIO controller, which makes it flexible in RF path band and routing selection.

No external DC blocking capacitors required on the RF paths as long as no external DC voltage is applied, which can save PCB area and cost.

The PS11108E is available in a Green UTQFN-2x2-14L package.

### FEATURES

- **Supply Voltage Range: 2.5V to 3.4V**
- **GPIO Controller**
- **Low Insertion Loss: 0.7dB (TYP) at 2.7GHz**
- **Operating Frequency Range: 0.1GHz to 3GHz**
- **High Isolation: 17dB (MIN) at 2.7GHz**
- **Advanced Silicon-On-Insulator (SOI) Process**
- **No External DC Blocking Capacitors Required**
- **Available in a Green UTQFN-2x2-14L Package**

### BLOCK DIAGRAM

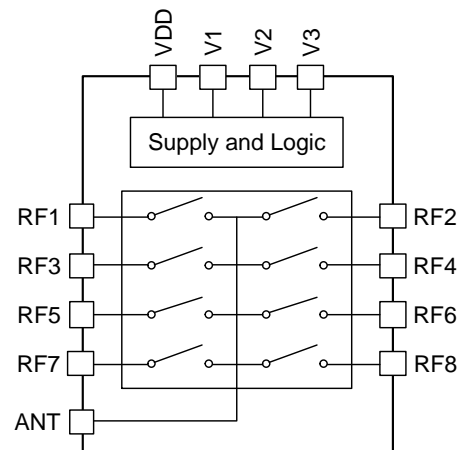


Figure 1. PS11108E Block Diagram

### APPLICATIONS

Receiving Band Switching and Pre-PA Switching  
 2G/3G/4G Transmitting/Receiving (TRx)

**PACKAGE/ORDERING INFORMATION**

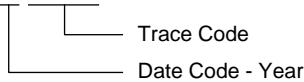
MODEL	PACKAGE DESCRIPTION	SPECIFIED TEMPERATURE RANGE	ORDERING NUMBER	PACKAGE MARKING	PACKING OPTION
PS11108E	UTQFN-2x2-14L	-40°C to +85°C	PS11108EYURB14G/TR	OPB XXXX	Tape and Reel, 3000

**MARKING INFORMATION**

NOTE: XXXX = Date Code and Trace Code.

YYY — Serial Number

XXXX



Green (RoHS & HSF): PS Micro Corp defines "Green" to mean Pb-Free (RoHS compatible) and free of halogen substances. If you have additional comments or questions, please contact your PSMICRO representative directly.

**ABSOLUTE MAXIMUM RATINGS**

- Supply Voltage, V<sub>DD</sub>..... 3.6V
- Control Voltage (V1, V2 and V3 Pins), V<sub>CTL</sub> ..... 3.6V
- RF Input Power, P<sub>IN</sub>..... 37.5dBm
- Junction Temperature.....+150°C
- Storage Temperature Range..... -55°C to +150°C
- Lead Temperature (Soldering, 10s).....+260°C
- ESD Susceptibility
- HBM..... 1000V

**RECOMMENDED OPERATING CONDITIONS**

- Operating Temperature Range..... -40°C to +85°C
- Operating Frequency Range..... 0.1GHz to 3GHz
- Supply Voltage, V<sub>DD</sub>.....2.5V to 3.4V
- Control High Voltage, V<sub>CTL\_H</sub>.....1.66V to 3.4V
- Control Low Voltage, V<sub>CTL\_L</sub>.....0V to 0.45V

**OVERSTRESS CAUTION**

Stresses beyond those listed in Absolute Maximum Ratings may cause permanent damage to the device. Exposure to absolute maximum rating conditions for extended periods may affect reliability. Functional operation of the device at any conditions beyond those indicated in the Recommended Operating Conditions section is not implied.

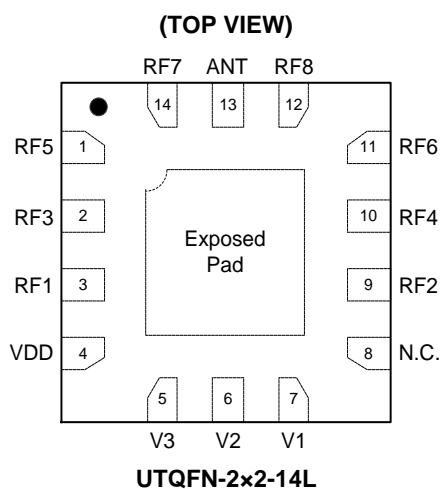
**ESD SENSITIVITY CAUTION**

This integrated circuit can be damaged if ESD protections are not considered carefully. PSMICRO recommends that all integrated circuits be handled with appropriate precautions. Failure to observe proper handling and installation procedures can cause damage. ESD damage can range from subtle performance degradation to complete device failure. Precision integrated circuits may be more susceptible to damage because even small parametric changes could cause the device not to meet the published specifications.

**DISCLAIMER**

PS Micro Corp reserves the right to make any change in circuit design, or specifications without prior notice.

## PIN CONFIGURATION



## PIN DESCRIPTION

PIN	NAME	FUNCTION
1	RF5	RF I/O Port 5.
2	RF3	RF I/O Port 3.
3	RF1	RF I/O Port 1.
4	VDD	DC Power Supply.
5	V3	DC Control Voltage 3.
6	V2	DC Control Voltage 2.
7	V1	DC Control Voltage 1.
8	N.C.	Not Connection.
9	RF2	RF I/O Port 2.
10	RF4	RF I/O Port 4.
11	RF6	RF I/O Port 6.
12	RF8	RF I/O Port 8.
13	ANT	Antenna Port.
14	RF7	RF I/O Port 7.
Exposed Pad	GND	Ground. Exposed pad must be connected to ground.

LOGIC TRUTH TABLE

CONTROL PINS			SWITCHED RF PATHS							
V1	V2	V3	RF1	RF2	RF3	RF4	RF5	RF6	RF7	RF8
0	0	0	Insertion Loss	Isolation	Isolation	Isolation	Isolation	Isolation	Isolation	Isolation
0	0	1	Isolation	Insertion Loss	Isolation	Isolation	Isolation	Isolation	Isolation	Isolation
0	1	0	Isolation	Isolation	Insertion Loss	Isolation	Isolation	Isolation	Isolation	Isolation
0	1	1	Isolation	Isolation	Isolation	Insertion Loss	Isolation	Isolation	Isolation	Isolation
1	0	0	Isolation	Isolation	Isolation	Isolation	Insertion Loss	Isolation	Isolation	Isolation
1	0	1	Isolation	Isolation	Isolation	Isolation	Isolation	Insertion Loss	Isolation	Isolation
1	1	0	Isolation	Isolation	Isolation	Isolation	Isolation	Isolation	Insertion Loss	Isolation
1	1	1	Isolation	Isolation	Isolation	Isolation	Isolation	Isolation	Isolation	Insertion Loss

ELECTRICAL CHARACTERISTICS

(V<sub>DD</sub> = 2.5V to 3.4V, T<sub>A</sub> = +25°C, P<sub>IN</sub> = 0dBm, 50Ω, Typical values are at V<sub>DD</sub> = 2.8V, unless otherwise noted.)

PARAMETER	SYMBOL	CONDITIONS	MIN	TYP	MAX	UNITS
<b>DC Specifications</b>						
Supply Voltage	V <sub>DD</sub>		2.5	2.8	3.4	V
Supply Current	I <sub>DD</sub>			40	80	μA
Control Voltage	V <sub>CTL_H</sub>	High	1.66	1.8	3.4	V
	V <sub>CTL_L</sub>	Low	0		0.45	
Control Current	I <sub>CTL</sub>	V <sub>CTL</sub> = 0V		3	8	μA
Switching Time	t <sub>sw</sub>	50% of control voltage to 90% of RF power		2	5	μs
Turn-On Time	t <sub>ON</sub>	Time from V <sub>DD</sub> = 0V to part on and RF at 90%		10	15	μs
<b>RF Specifications</b>						
Insertion Loss (ANT to All RF Ports)	IL	0.1GHz to 1.0GHz		0.45	1.06	dB
		1.0GHz to 2.0GHz		0.55	1.11	
		2.0GHz to 2.7GHz		0.70	1.58	
Isolation (ANT to All RF Ports)	ISO	0.1GHz to 1.0GHz	21	42		dB
		1.0GHz to 2.0GHz	20	35		
		2.0GHz to 2.7GHz	17	30		
Input Return Loss (ANT to All RF Ports)	RL	0.1GHz to 1.0GHz	25	30		dB
		1.0GHz to 2.0GHz	20	22		
		2.0GHz to 2.7GHz	15	20		
0.1dB Compression Point (ANT to All RF Ports)	P <sub>0.1dB</sub>	0.1GHz to 3GHz		37.5		dBm
2 <sup>nd</sup> Harmonics GSM LB	2f <sub>0</sub>	P <sub>IN</sub> = 35dBm, 824MHz to 915MHz		90		dBc
3 <sup>rd</sup> Harmonics GSM LB	3f <sub>0</sub>	P <sub>IN</sub> = 35dBm, 824MHz to 915MHz		80		dBc
2 <sup>nd</sup> Harmonics GSM HB	2f <sub>0</sub>	P <sub>IN</sub> = 33dBm, 1710MHz to 1910MHz		90		dBc
3 <sup>rd</sup> Harmonics GSM HB	3f <sub>0</sub>	P <sub>IN</sub> = 33dBm, 1710MHz to 1910MHz		85		dBc
2 <sup>nd</sup> Harmonics	2f <sub>0</sub>	P <sub>IN</sub> = 26dBm, 0.1GHz to 2.7GHz		95		dBc
3 <sup>rd</sup> Harmonics	3f <sub>0</sub>	P <sub>IN</sub> = 26dBm, 0.1GHz to 2.7GHz		90		dBc

TYPICAL APPLICATION CIRCUIT

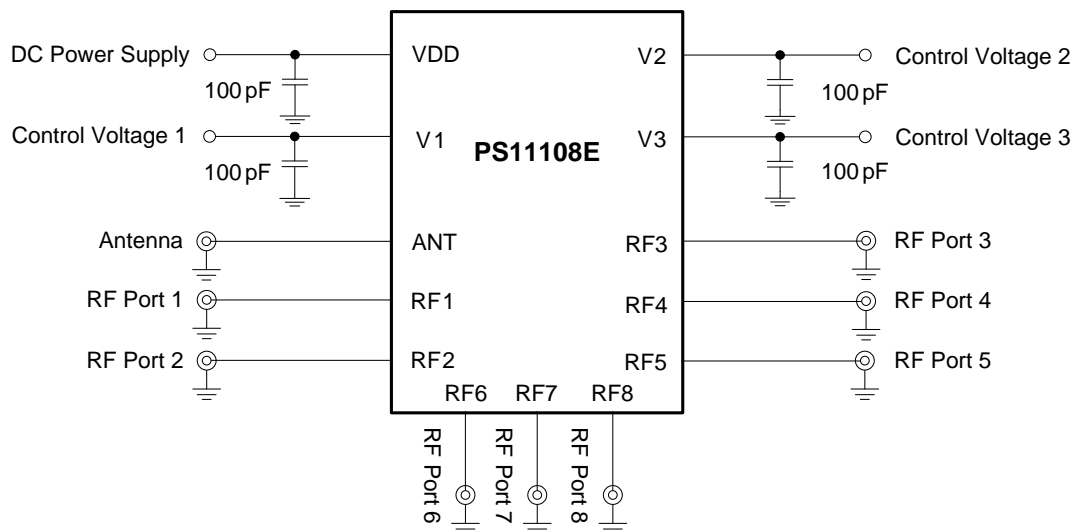


Figure 2. PS11108E Typical Application Circuit

EVALUATION BOARD LAYOUT

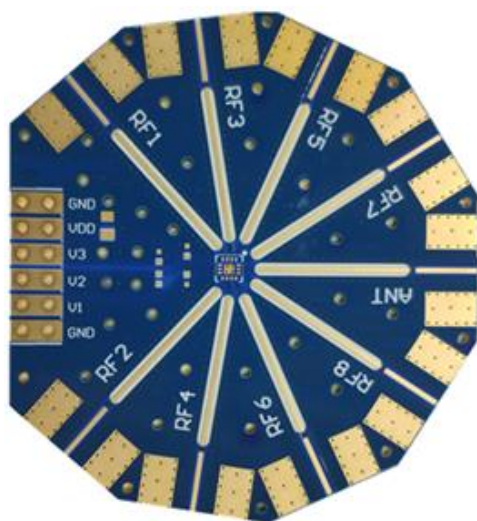
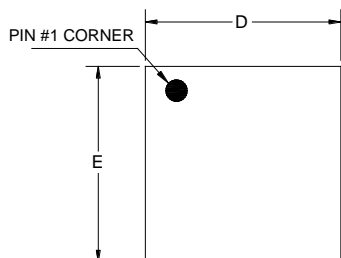


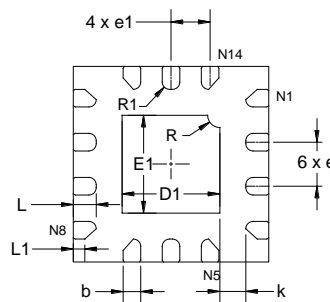
Figure 3. PS11108E Evaluation Board Layout

PACKAGE OUTLINE DIMENSIONS

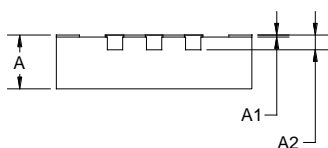
UTQFN-2x2-14L



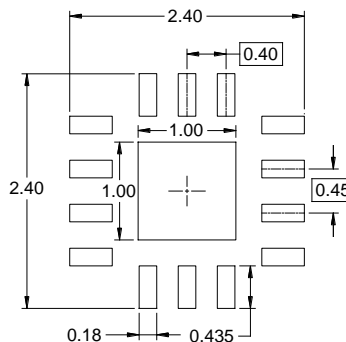
TOP VIEW



BOTTOM VIEW



SIDE VIEW

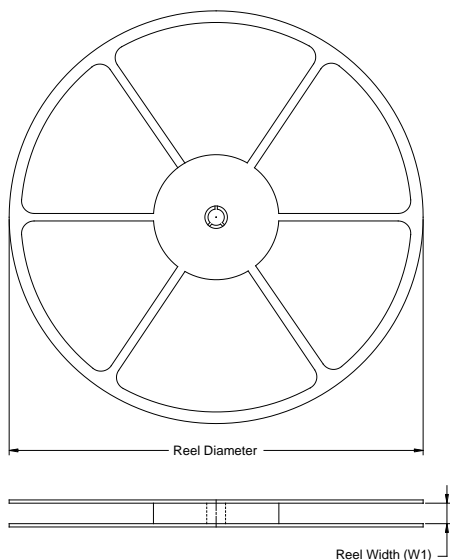


RECOMMENDED LAND PATTERN (Unit: mm)

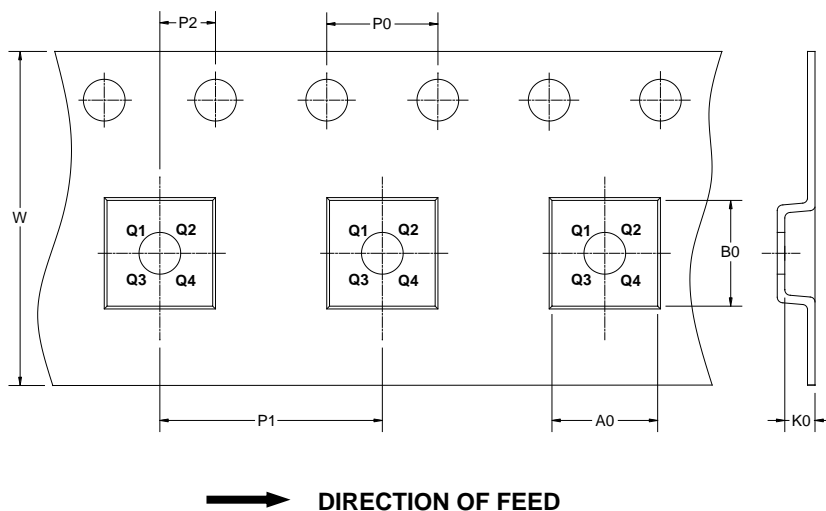
Symbol	Dimensions In Millimeters		
	MIN	MOD	MAX
A	0.50	0.55	0.60
A1	0.00	0.02	0.05
A2	0.15 REF		
b	0.13	0.18	0.23
D	1.90	2.00	2.10
E	1.90	2.00	2.10
D1	0.90	1.00	1.10
E1	0.90	1.00	1.10
e	0.40	0.45	0.50
e1	0.35	0.40	0.45
k	0.15	-	-
L	0.185	0.235	0.285
L1	0.118 REF		
R	0.125 REF		
R1	0.075	-	-

TAPE AND REEL INFORMATION

REEL DIMENSIONS



TAPE DIMENSIONS



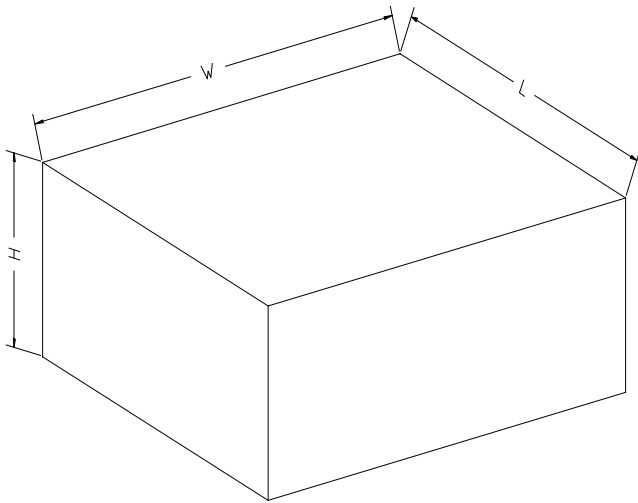
NOTE: The picture is only for reference. Please make the object as the standard.

KEY PARAMETER LIST OF TAPE AND REEL

Package Type	Reel Diameter	Reel Width W1 (mm)	A0 (mm)	B0 (mm)	K0 (mm)	P0 (mm)	P1 (mm)	P2 (mm)	W (mm)	Pin1 Quadrant
UTQFN-2x2-14L	7"	9.5	2.25	2.25	0.75	4.0	4.0	2.0	8.0	Q1

DD0001

**CARTON BOX DIMENSIONS**



NOTE: The picture is only for reference. Please make the object as the standard.

**KEY PARAMETER LIST OF CARTON BOX**

Reel Type	Length (mm)	Width (mm)	Height (mm)	Pizza/Carton
7" (Option)	368	227	224	8
7"	442	410	224	18

DD0002





For the latest specifications or product information:

**Website:** [www.ps-micro.com.cn](http://www.ps-micro.com.cn)

**Phone:** 86-21-50772230

**Email:** [info@ps-micro.com.cn](mailto:info@ps-micro.com.cn)

THE INFORMATION CONTAINED HEREIN IS BELIEVED TO BE RELIABLE. PSMICRO MAKES NO WARRANTIES REGARDING INFORMATION CONTAINED HEREIN. PSMICRO ASSUMES NO RESPONSIBILITIES OR LIABILITIES FOR THE USE OF THE INFORMATION CONTAINED HEREIN. THE INFORMATION CONTAINED HEREIN IS PROVIDED "AS IS, WHERE IS", AND THE ENTIRE RISK ASSOCIATED WITH SUCH INFORMATION IS ENTIRELY WITH THE USER. ALL INFORMATION CONTAINED HEREIN IS SUBJECT TO CHANGE WITHOUT NOTICE. THE INFORMATION CONTAINED HEREIN OR ANY USE OF SUCH INFORMATION DOES NOT GRANT, EXPLICITLY OR IMPLICITLY TO ANY PARTY ANY PATENT RIGHTS, LICENSES, OR ANY OTHER INTELLECTUAL PROPERTY RIGHTS, WHETHER WITH REGARD TO SUCH INFORMATION ITSELF OR ANYTHING DESCRIBED BY SUCH INFORMATION.

PSMICRO products are not warranted or authorized for use as critical components in medical, life-saving, or life-sustaining applications, or other applications where a failure would reasonably be expected to cause severe personal injury or death.

Copyright 2021, 2022 © PS Micro Corp | All rights reserved | Weedspread is a registered trademark of PS Micro Corp