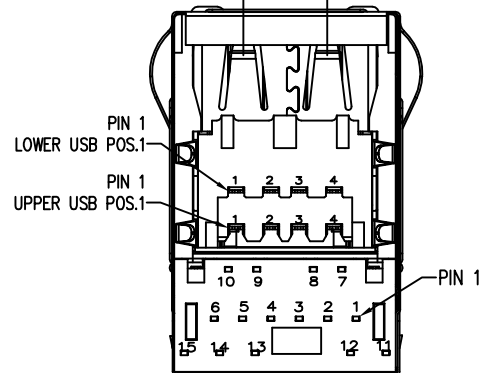
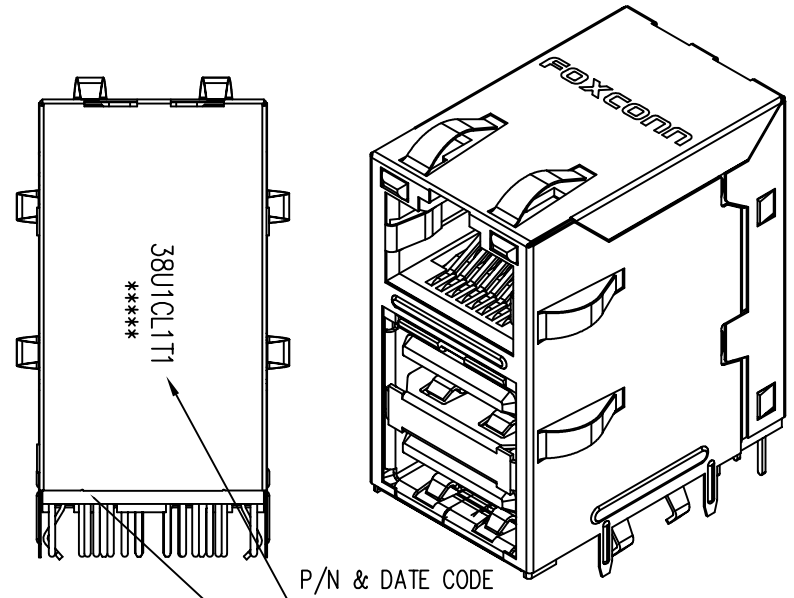
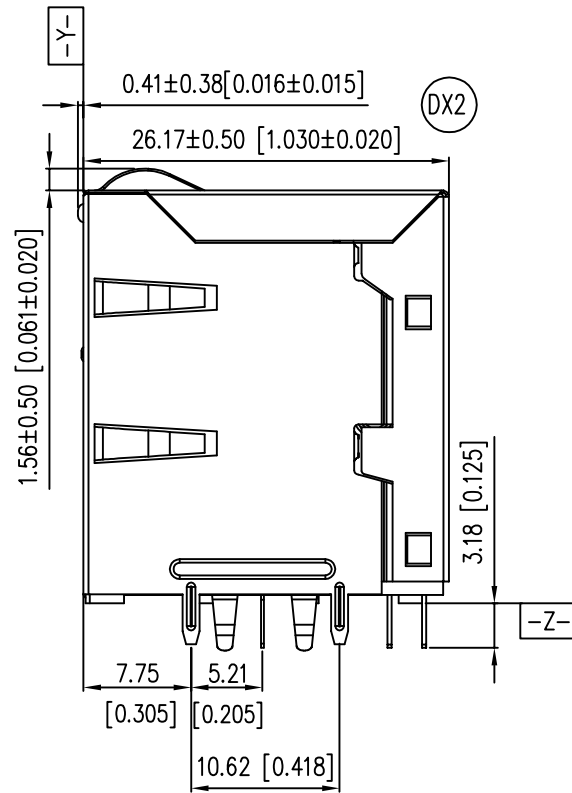
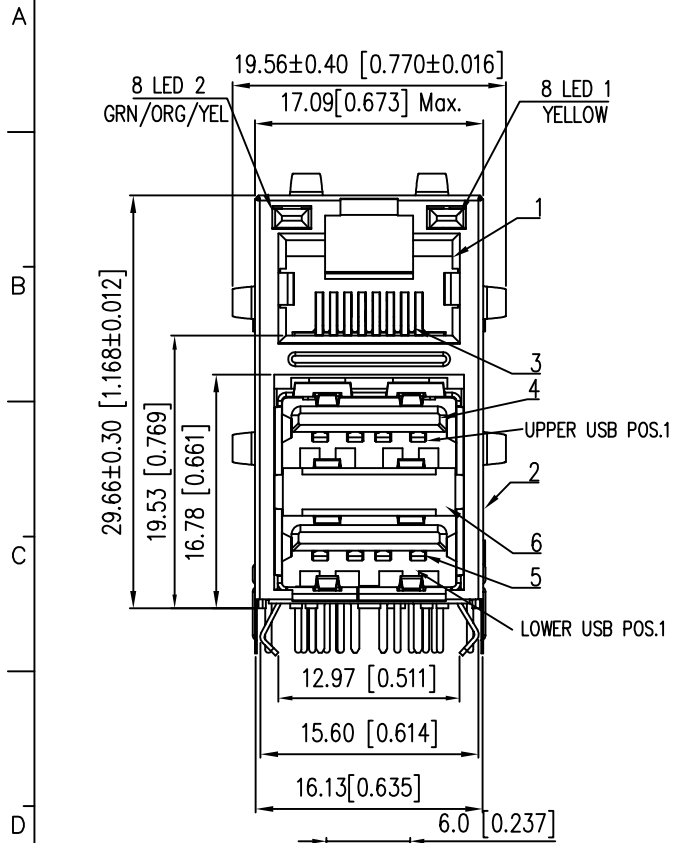


REV.	ECN. NO.	APPD.
A	BC-08-7017353	L.C. WU
B	BC-08-7064369	L.C. WU
C	BC-14-0021036	L.C. WU
D	BC-15-0010942	L.C. WU
DX2	BC-16-XXXXXX	ARTHUR



NOTES: (UNLESS OTHERWISE SPECIFIED)

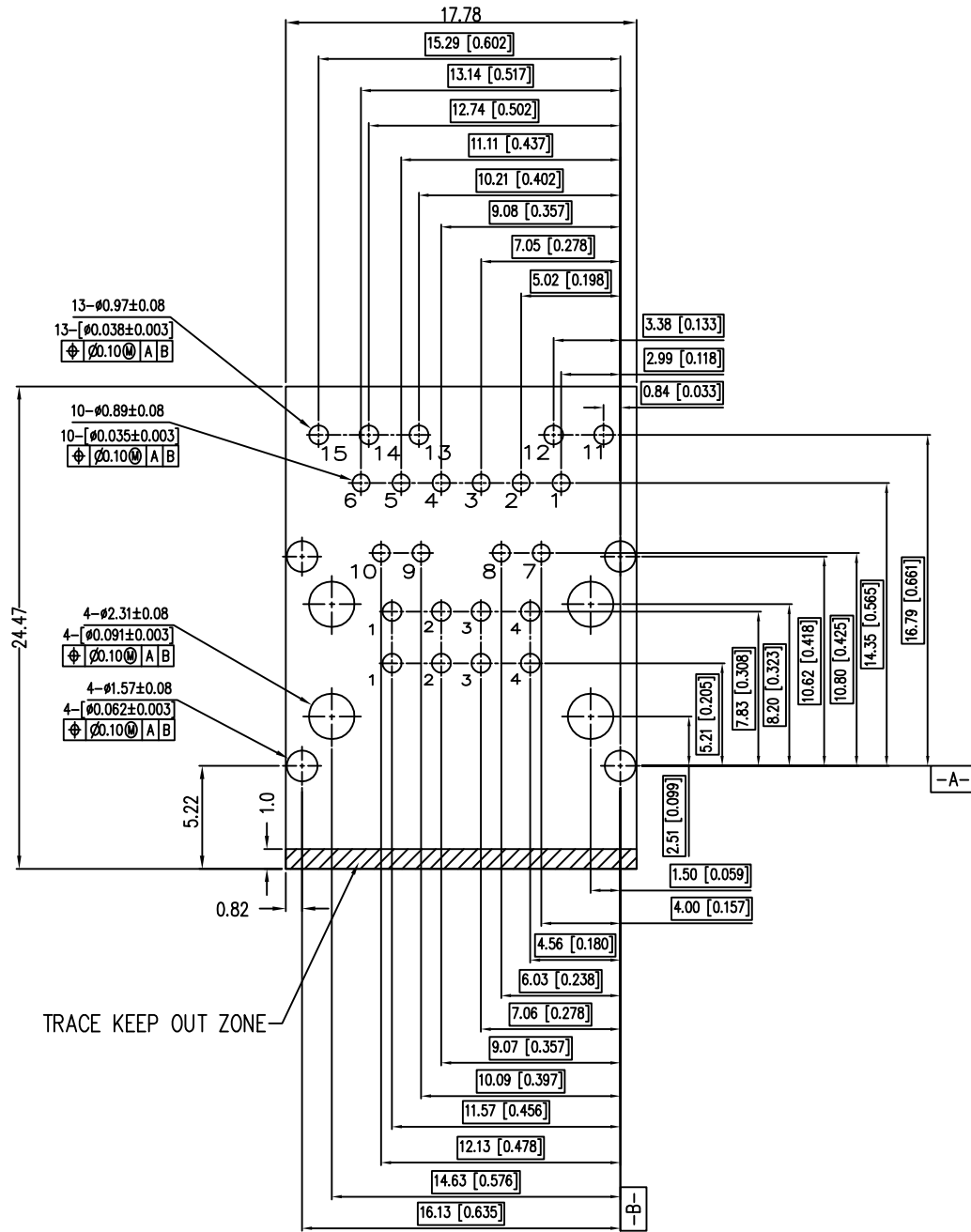
1. RJ45 TO BE BASED UPON FCC 68.5.
2. STACKED USB TO BE BASED UPON USB SPECIFICATION.
3. RECOMMENDED PCB THICKNESS : 1.57±0.05 [0.062±0.002] MM [INCH].
4. ITEM 7,9,10,11,12,13,14,15 ARE INSIDE OF THE CONNECTOR.
5. HARMFUL MATERIAL CONTROL FOLLOW DOC. NO. EP12.

JFM38U1C-L1T1-4\*  
PART NO.

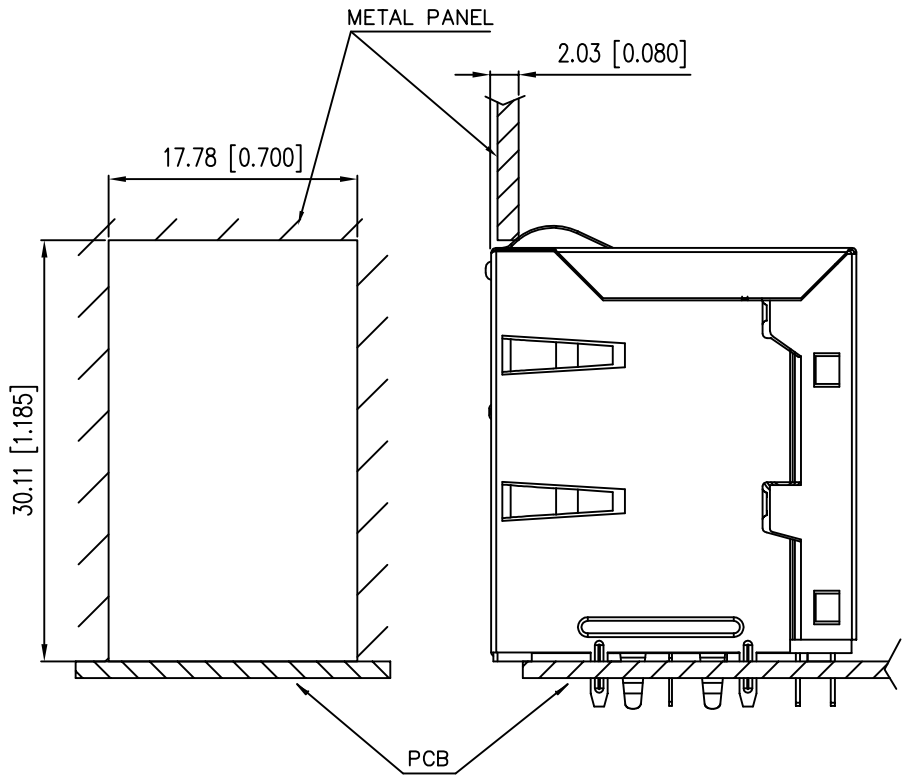
X.±	X'.±	UNITS	MM [INCH]	NAME (INTENDED USE)	FOXCONN®
.X±	.X'±	MAT'L		CUSTOMER	FOXCONN INTERCONNECT TECHNOLOGY LIMITED.
.XX±	.XX'±	FINISH		PART NO. (INTENDED USE)	CLASS: <input type="checkbox"/> CONFIDENTIAL <input type="checkbox"/> SECRET <input checked="" type="checkbox"/> GENERAL
.XXX±	.XXX'±	Q'TY		JFM38U1C-L1T1-4*	TITLE: COMBO RJ45 OVER DUAL USB, 10/100/1000, 8-CORE LEAD FREE
THESE DRAWINGS AND SPECIFICATIONS ARE THE PROPERTY OF FOXCONN INTERCONNECT TECHNOLOGY LIMITED AND SHALL NOT BE REPRODUCED, COPIED OR USED IN ANY MANNER WITHOUT THE PRIOR WRITTEN CONSENT OF FOXCONN INTERCONNECT TECHNOLOGY LIMITED.				APPD:	DRG NO.:
				ARTHUR 04/28'16	305-0000-2442
				CHKD:	SCALE SHEET REV.
				LI FEI 04/28'16	2:1 1/5 DX2
				DR:	
				G.Y.CHEN 04/28'16	

A  
B  
C  
D  
E

A  
B  
C  
D  
E



RECOMMENDED P.C.B. LAYOUT  
TOP VIEW (COMPONENT SIDE)



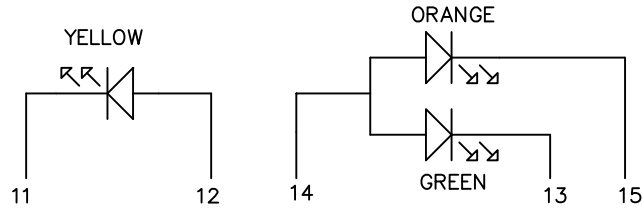
RECOMMENDED PANEL CUTOUT

JFM38U1C-L1T1-4\*  
PART NO.

RECOMMENDED P.C.B. LAYOUT  
TOP VIEW (COMPONENT SIDE)

X. ±	X°. ±	UNITS	MM [INCH]	NAME (INTENDED USE)	FOXCONN® FOXCONN INTERCONNECT TECHNOLOGY LIMITED.
.X ±	.X°. ±	MAT'L		CUSTOMER	
.XX ±	.XX°. ±			PART NO. (INTENDED USE)	CLASS: <input type="checkbox"/> CONFIDENTIAL <input type="checkbox"/> SECRET <input checked="" type="checkbox"/> GENERAL
.XXX ±	.XXX°. ±	FINISH		JFM38U1C-L1T1-4*	TITLE: COMBO RJ45 OVER DUAL USB 10/100/1000, 8-CORE LEAD FREE
THESE DRAWINGS AND SPECIFICATIONS ARE THE PROPERTY OF FOXCONN INTERCONNECT TECHNOLOGY LIMITED AND SHALL NOT BE REPRODUCED, COPIED OR USED IN ANY MANNER WITHOUT THE PRIOR WRITTEN CONSENT OF FOXCONN INTERCONNECT TECHNOLOGY LIMITED.				APPD:	DWG NO.:
		Q'TY		ARTHUR 04/28'16	305-0000-2442
				CHKD: LI FEI 04/28'16	SCALE SHEET REV.
				DR: G.Y.CHEN 04/28'16	N/A 2/5 DX2

E



LED SPECIFICATIONS

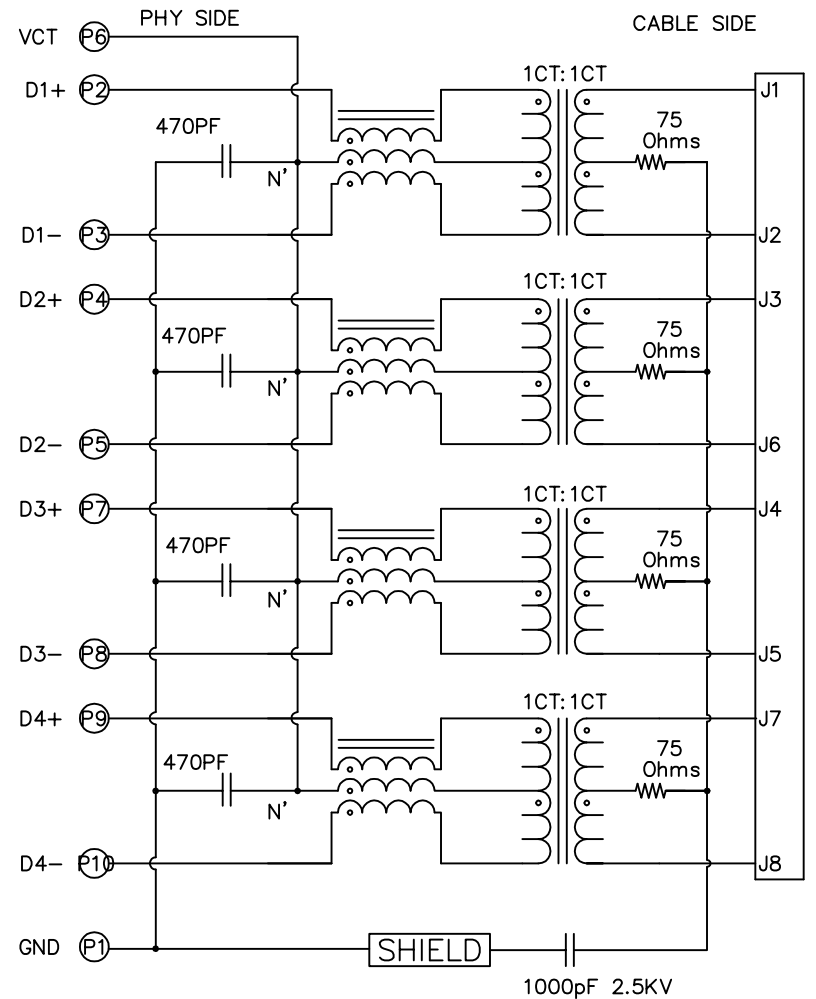
TEST COND.	BI-COLOR		SINGLE COLOR
	ORANGE	GREEN	YELLOW
PEAK EMISSION WAVELENGTH	I <sub>F</sub> =20mA 608nm TYP.	565nm TYP.	590nm TYP.
DOMINANT WAVELENGTH	I <sub>F</sub> =20mA 600~610(nm)	562~572(nm)	585~595(nm)

ELECTRICAL SPECIFICATIONS AT 25 DEGREE C:

TURNS RATIO TP1 1CT : 1CT +/-2%  
 TP2 1CT : 1CT +/-2%  
 TP3 1CT : 1CT +/-2%  
 TP4 1CT : 1CT +/-2%  
 OCL @ 100KHz/100mVRMS 8mA DC BIAS  
 FROM 0-70 DEGREE C: 350uH Min.  
 INSERTION LOSS: 1MHz - 125MHz -1.2 dB Max.  
 RETURN LOSS (MIN): 1 MHz - 40 MHz -18 dB Min  
 40 MHz - 100MHz -12 +20Log(F/80 MHz) dB Min.  
 CROSS TALK: 1MHz - 100MHz -35 dB Min.  
 CM TO CM REJ: 0.1MHz - 100MHz -30 dB Min.  
 CM TO DM REJ: 0.1MHz - 100MHz -35 dB Min.

HIPOT TEST SPECIFICATION:

PRIMARY TO SECONDARY 1500VAC OR 2250VDC



SCHEMATIC

JFM38U1C-L1T1-4\*  
PART NO.

X.±	X*.±	UNITS	NAME(INTENDED USE)	<b>FOXCONN®</b> FOXCONN INTERCONNECT TECHNOLOGY LIMITED.
.X±	.X*.±	MAT'L	CUSTOMER	
.XX±	.XX*.±	FINISH	PART NO.(INTENDED USE)	CLASS: <input type="checkbox"/> CONFIDENTIAL <input type="checkbox"/> SECRET <input checked="" type="checkbox"/> GENERAL
.XXX±	.XXX*.±		JFM38U1C-L1T1-4*	APPD: ARTHUR 04/28'16
THESE DRAWINGS AND SPECIFICATIONS ARE THE PROPERTY OF FOXCONN INTERCONNECT TECHNOLOGY LIMITED AND SHALL NOT BE REPRODUCED, COPIED OR USED IN ANY MANNER WITHOUT THE PRIOR WRITTEN CONSENT OF FOXCONN INTERCONNECT TECHNOLOGY LIMITED.			Q'TY	DWG NO.: 305-0000-2442
			CHKD: LI FEI 04/28'16	SCALE SHEET REV.
			DR: G.Y.CHEN 04/28'16	N/A 3/5 DX2

RJ45 MECHANICAL CHARACTERISTICS:

- CONNECTOR MATING FORCES: 23 NEWTONS MAXIMUM WITH LATCH DEPRESSED.  
CONNECTOR UNMATING FORCE: 45 NEWTONS MAXIMUM WITH LATCH DEPRESSED AT AN ADVANTAGEOUS ANGLE.
- DURABILITY: 5000 CYCLES.
- OPERATING TEMPERATURE: -40°C TO +85°C.

USB MECHANICAL CHARACTERISTICS:

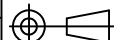
- CONNECTOR MATING FORCE : 35 NEWTONS MAX.(7.9 LBS.)
- CONNECTOR UNMATING FORCE : 10 NEWTONS MIN.(2.25 LBS.)
- DURABILITY : 5000 CYCLES.
- OPERATING TEMPERATURE:-40°C TO +85 °C

USB ELECTRICAL CHARACTERISTICS:

- CONTACT RESISTANCE: 30 mOHM MAX..
- DIELECTRIC WITHSTANDING VOLTAGE: 500 VAC MIN..
- INSULATION RESISTANCE: 1000 MOHM MIN..

JFM38U1C-L1T1-4\*

PART NO.

X.±	X°±	UNITS	NAME(INTENDED USE)	<b>FOXCONN®</b> FOXCONN INTERCONNECT TECHNOLOGY LIMITED.
.X±	.X°±	MAT'L	CUSTOMER	
.XX±	.XX°±	FINISH	PART NO.(INTENDED USE)	CLASS: <input type="checkbox"/> CONFIDENTIAL <input type="checkbox"/> SECRET <input checked="" type="checkbox"/> GENERAL
.XXX±	.XXX°±		JFM38U1C-L1T1-4*	APPD: ARTHUR 04/28'16
THESE DRAWINGS AND SPECIFICATIONS ARE THE PROPERTY OF FOXCONN INTERCONNECT TECHNOLOGY LIMITED AND SHALL NOT BE REPRODUCED, COPIED OR USED IN ANY MANNER WITHOUT THE PRIOR WRITTEN CONSENT OF FOXCONN INTERCONNECT TECHNOLOGY LIMITED.		Q'TY	CHKD: LI FEI 04/28'16	DWG NO.: 305-0000-2442
			DR: G.Y.CHEN 04/28'16	 SCALE SHEET REV. N/A 4/5 DX2

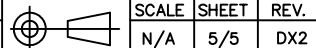
ITEM	DESC.	Q'TY	MATERIAL	TREATMENT
1	HOUSING	1	THERMOPLASTIC UL94V-0	MOLDED COLOR: BLACK
2	SHELL	1	METAL ALLOY	NICKEL PLATING OVERALL
3	RJ45 CONTACT	8	PHOSPHOR BRONZE	C: GOLD PLATING 50u" AT CONTACT AREA B: TIN PLATING AT SOLDERING AREA A: NICKEL UNDERPLATING
4	USB HOUSING	1	THERMOPLASTIC UL94V-0	MOLDED COLOR: BLACK
5	USB CONTACT	8	COPPER ALLOY	C: GOLD PLATING 30u" AT CONTACT AREA B: TIN PLATING AT SOLDERING AREA A: NICKEL UNDERPLATING
6	USB F-SHELL	1	METAL ALLOY	B: TIN PLATING AT SOLDERING AREA A: NICKEL UNDERPLATING
7	USB R-SHELL	1	METAL ALLOY	NICKEL PLATING OVERALL
8	LED	2	_____	GREEN /ORANGE/YELLOW X 1 YELLOW X 1
9	PCB	1	FR4	NONE
10	CAPACITOR	1	_____	1000 pF
11	CAPACITOR	4	_____	470 pF
12	RESISTOR	4X1	_____	75 OHMS
13	FOOTER CONTACT	15	COPPER ALLOY	B: TIN PLATING AT SOLDERING AREA A: NICKEL UNDERPLATING
14	FOOTER HOUSING	1	THERMOPLASTIC UL94V-0	MOLDED COLOR: BLACK
15	TRANSFORMER MODULE	1	_____	_____

REMARK:

JFM 3 8 U 1 C - L1T1 - 4 \*

JFM: RJ WITH MAGNETIC      PRODUCT TYPE 3=10/1000 BASE T      CORE COUNT 8=8 CORE      CONFIGURATION U=RJ45 OVER USB      PCB ATTACH METHOD 1=SOLDER TAIL      LEDS C=GREEN/ORANGE/YELLOW-YELLOW      FOXCONN EXTENSION CODES      PACKAGING 4=SOFT TRAY      PLATING TYPE F=LEAD FREE H=HALOGEN FREE

JFM38U1C-L1T1-4\*  
PART NO.

X.±	X°±	UNITS	NAME(INTENDED USE)	<b>FOXCONN®</b> FOXCONN INTERCONNECT TECHNOLOGY LIMITED.
.X±	.X°±	MAT'L	CUSTOMER	
.XX±	.XX°±	FINISH	PART NO.(INTENDED USE)	CLASS: <input type="checkbox"/> CONFIDENTIAL <input type="checkbox"/> SECRET <input checked="" type="checkbox"/> GENERAL
.XXX±	.XXX°±		JFM38U1C-L1T1-4*	TITLE: COMBO RJ45 OVER DUAL USB, 10/100/1000, 8-CORE LEAD FREE
THESE DRAWINGS AND SPECIFICATIONS ARE THE PROPERTY OF FOXCONN INTERCONNECT TECHNOLOGY LIMITED AND SHALL NOT BE REPRODUCED, COPIED OR USED IN ANY MANNER WITHOUT THE PRIOR WRITTEN CONSENT OF FOXCONN INTERCONNECT TECHNOLOGY LIMITED.			APPD: ARTHUR 04/28'16	DWG NO.: 305-0000-2442
Q'TY			CHKD: LI FEI 04/28'16	 SCALE SHEET REV. N/A 5/5 DX2
			DR: G.Y.CHEN 04/28'16	