

2.4/5GHz 1608 Diplexer: DPX1608R24554K65

Applications:

WLAN, 802.11b/g, ISM Band...

Features

SMD, high reliability, ultra Impact...

Part number

DPX 1608 R 2455 4K 65
 (1) (2) (3) (4) (5)

(1)Size Code	1.6x0.8mm
(2) Packing	Tape and reel
(3) Frequency	2.4/5GHz
(4) Packing Number	4K
(5)Type	65

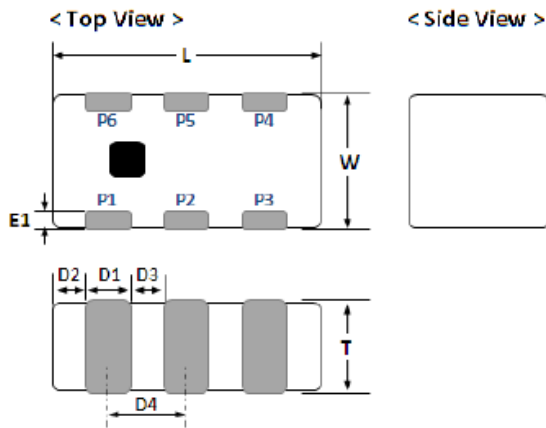
Electrical Specification

DESCRIPTION	VALUE	
	LOW Band	High Band
Pass Band	2400~2500MHz	4900~6000MHz
Insertion Loss	0.50dB (Max)	0.75dB (Max)
Return Loss	12.0dB(Min)	12.0dB(Min)
Attenuation	30dB(Min).@4800~5000MHz 32dB(Min).@7200~7500MHz	27dB(Min).@2400~2500MHz 27dB(Min).@10300~11700MHz 20dB(Min).@15450~16200MHz
Isolation	32dB(Min).@2400~2500MHz 32dB(Min).@4800~5950MHz	
Operating Temperature	-40 ~ +85 °C	

The specification is defined on EVB.

2.4/5GHz 1608 Diplexer: DPX1608R24554K65

Dimension and Terminal Configuration



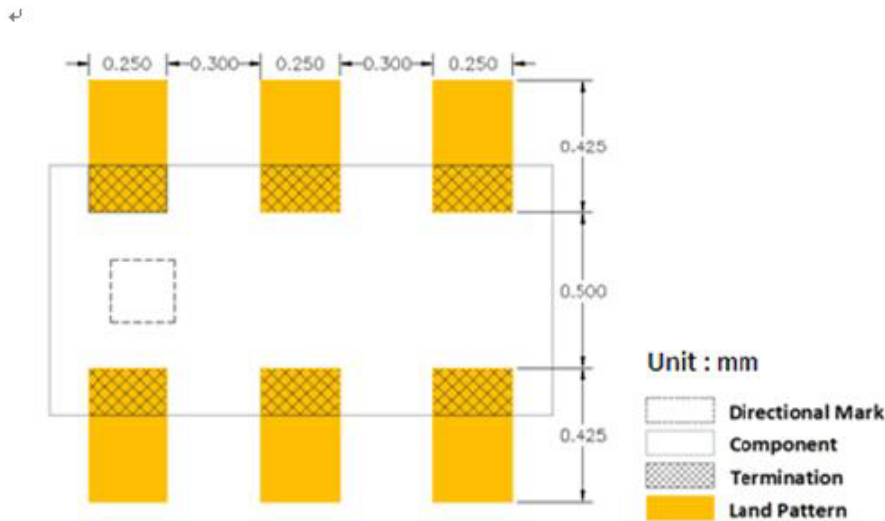
Dimension (mm)	
L (mm)	1.60 ± 0.15
W (mm)	0.80 ± 0.15
T (mm)	0.60 ± 0.15
D1 (mm)	0.25 ± 0.10
D2 (mm)	0.125 ± 0.10
D3 (mm)	0.30 ± 0.10
E1 (mm)	0.15 ± 0.10

No.	Terminal Name
P1	GND
P2	Common
P3	GND
P4	Low band
P5	GND
P6	High band

*P.S : Symmetrical,
No direction*

Evaluation Board Reference

Recommended Land Pattern

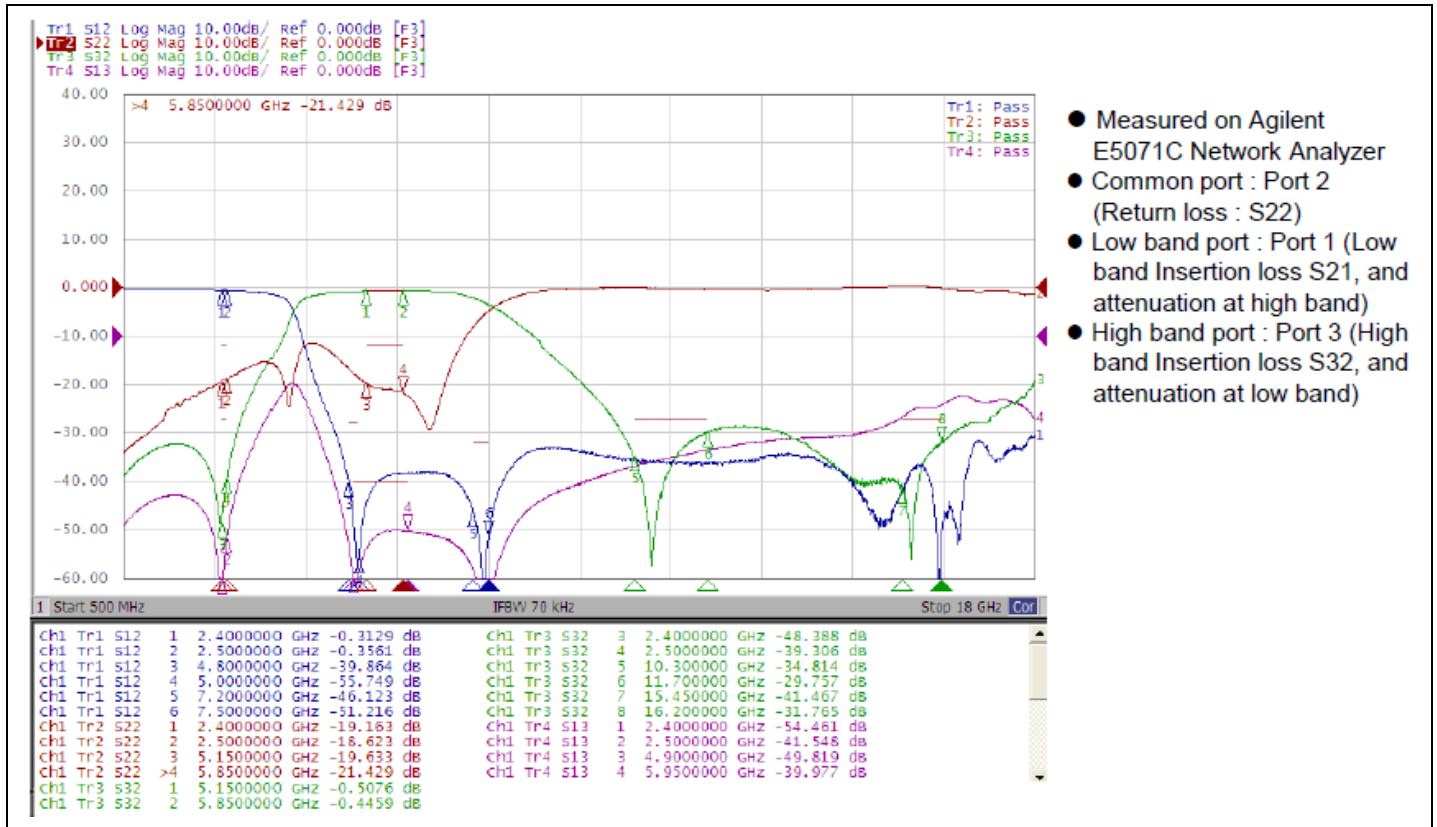


Recommended PCB Pattern



2.4/5GHz 1608 Diplexer: DPX1608R24554K65

Electrical Characteristics



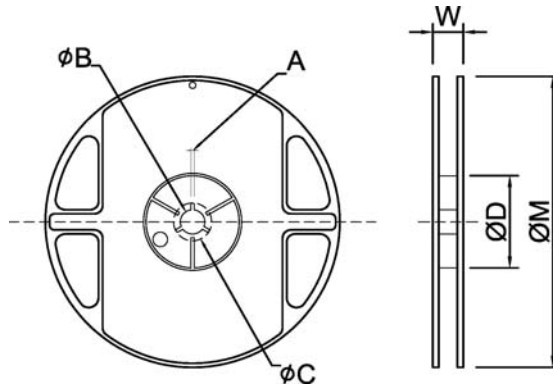
- Measured on Agilent E5071C Network Analyzer
- Common port : Port 2 (Return loss : S22)
- Low band port : Port 1 (Low band Insertion loss S21, and attenuation at high band)
- High band port : Port 3 (High band Insertion loss S32, and attenuation at low band)

2.4/5GHz 1608 Diplexer: DPX1608R24554K65

Taping Specifications

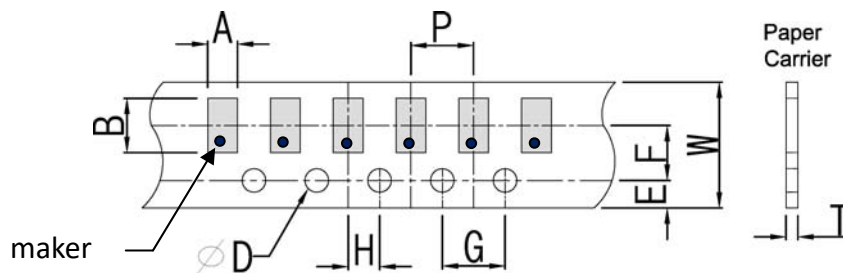
Reel and Taping Specification

Reel Specification



TYPE	SIZE	A	ψB	ψC	ψD	W	ψM
1608	7" 4K/Reel	2.0±0.5	13.5±1.0	21±1.0	60±1.0	11.5±2.0	178±2.0

Taping Specification

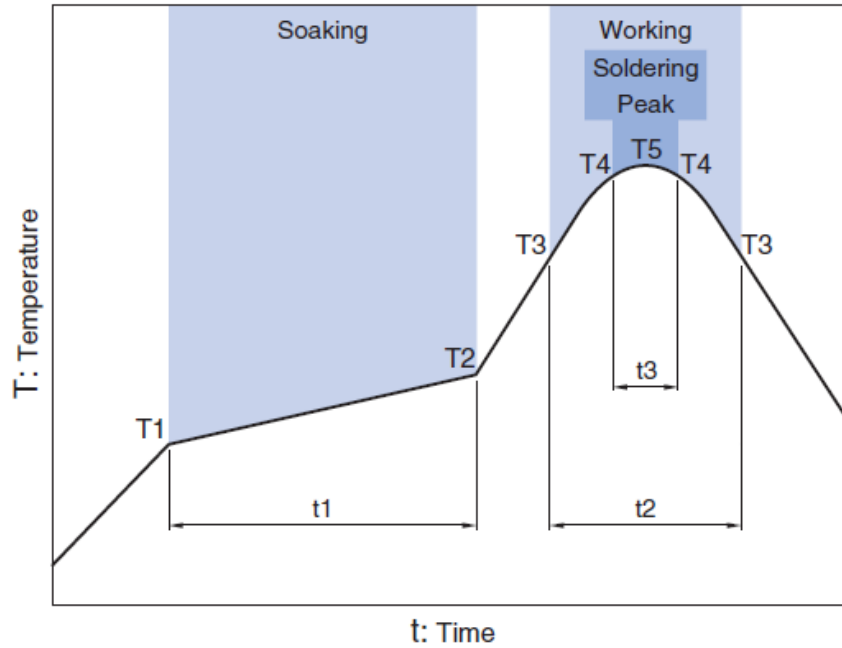


Packaging	Type	A	B	W	E	F	G	H	T	ψD	P
Paper Type	1608	1.40±0.20	2.20±0.20	8.0±0.20	1.75±0.10	3.0±0.05	4.0±0.10	2.0±0.05	0.75±0.10	1.50 +0.10 -0	4.0±0.1

2.4/5GHz 1608 Diplexer: DPX1608R24554K65

Recommended Reflow Profile

Pb free solder



Soaking		Working		Soldering		Peak	
Temp.	Time	Temp.	Time	Temp.	Time	Temp.	
T1	T2	t1	T3	t2	T4	t3	T5
150°C	180°C	60 to 120sec	230°C	more than 30sec	247 to 253°C	within 10sec	260°C Max.

March 2020 Ver.H01