

XKB Product features

Voltage: < 12V

Current: < 20mA

Conduction time: 2ms

Closed circuit resistance: < 10m ohm

Open circuit resistance: > 10m ohm

High temperature resistance: 120 degrees

Terminal tension: 500gf / min

Humidity: 25~95%RH

Operating life: 100000 times

XKB Product features:

XKB产品特点:

1.SW-520 is a double ball type single direction tilt induction trigger switch.

1.SW-520是一个单球型单向倾斜感应触发开关。

2. When the product tilts towards the cap end, the tilting Angle is greater than 10 degrees, the product is in the open, (OFF) state;

When the horizontal state of the product has a tilt change, the trigger end (gold-plated pin end) is lower than the horizontal and the tilt Angle is greaterWhen the Angle is 10 degrees, the product is in the closed circuit, (ON) state.

2.当产品向盖端倾斜时，倾斜角度大于10度，产品处于打开（关闭）状态；当产品水平状态发生倾斜变化时，触发端（镀金销端）低于水平，倾斜角度较大当角度为10度时，产品处于闭路（开）状态。

3. When the switch tilts parallel to the direction of the PIN and the tilting Angle of the trigger PIN end is less than 45 angles, the switch is in the OFF state;When the inclination Angle of the trigger pin end is greater than 45 degrees, it is in the closed-circuit ON state.

3.当开关与插脚方向平行倾斜，且触发插脚端部倾斜角度小于45度时，开关处于断开状态当触发销端部倾斜角大于45度时，处于闭合接通状态。

4. The products of this specification are completely sealed, waterproof and dustproof.XKB
4.本规范产品全密封、防水、防尘。

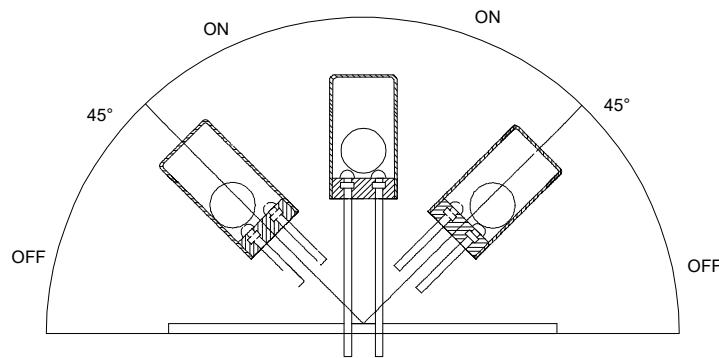
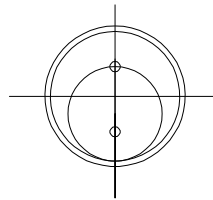
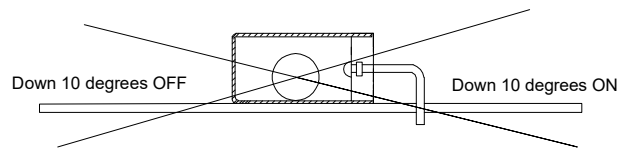
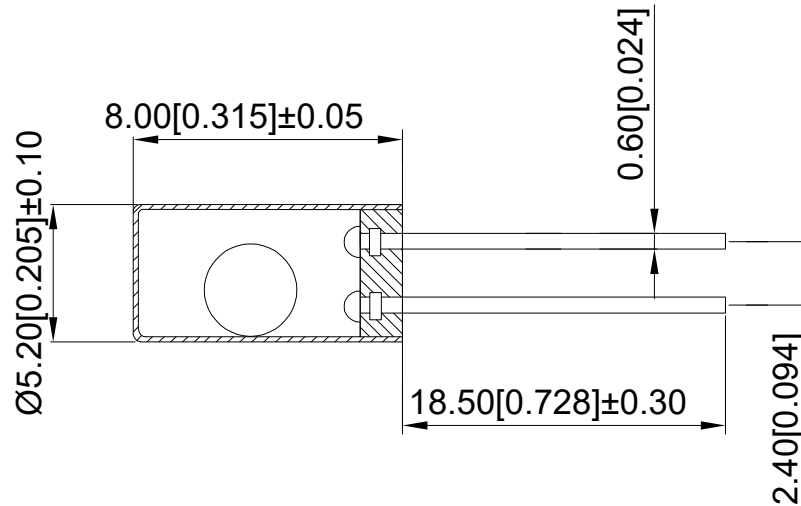
5. This switch is suitable for triggering small current circuit, not for power switch.

5.本开关适用于触发小电流电路，不适用于电源开关。

6. This product is made of environment-friendly metal material with stable performance.

XKB

6、本产品采用环保型金属材料，性能稳定。



ITEM	PAPT NAMF	QTY	MATERIAL	FINISHING	REMARK
⑦					
⑥	Heat shrinkable tube	1	PET	black	
⑤	Rubber stopper	1	Heat resistant nylon		
④	Ball	1	iron	silvering	
③	Ball	1	iron	silvering	
②	Guide pin	1	Brass	Gold-plated	
①	Copper tube	1	Brass		

DSND	DATE	SCALE: N/A	MODEL TYPE:
DWN	DATE	VIEW:	Vibration switch
CHKD	DATE	UNIT: mm/in	PART NO.:
APPD	DATE	SIZE: A4	DWG NO.:
XKB INDUSTRIAL PRECISION CO.,LIMITED			SW-520S-AB185G
WEIGHT	SHEET	REVISION	

REVISIONS	DESCRIPTION	DATE	REVISED	APPROVED	UNSPECIFIED TOLERANCES
ΔX					units: mm
ΔX					tolerance:
ΔX					X.X ±0.2mm
MARK					X.XX ±0.1mm
					X.XXX ±0.05mm