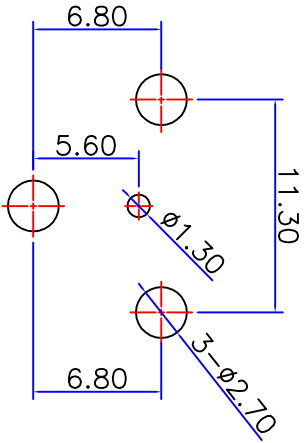
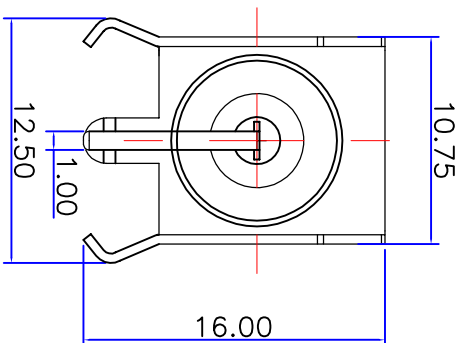
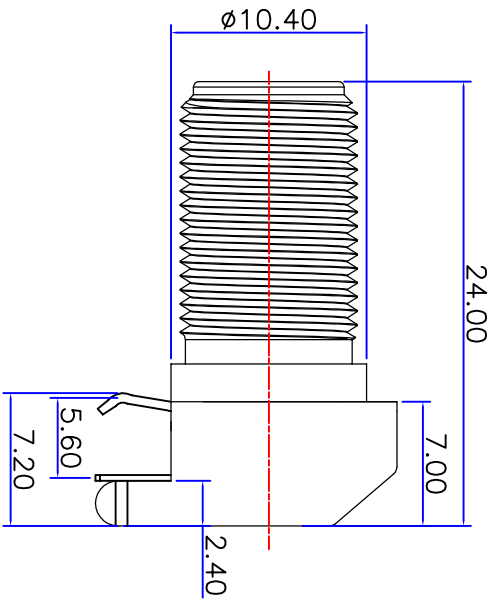
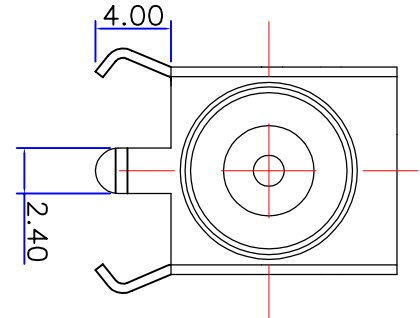
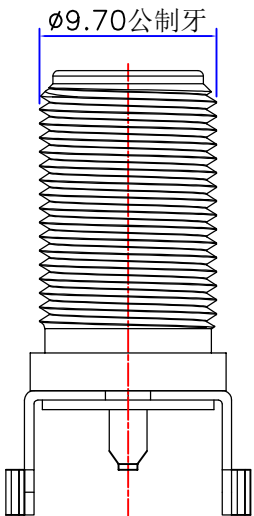




PRODUCT NO:		DS803FPR0016	
REV	DESCRIPTION	DWN	DATE
A	FIRST ISSUE	W.cheng	2020/05/11
B			John.kine



RECOMMENDED PCB LAYOUT



SPECIFICATIONS:

IMPEDANCE: 75 ohms
 FREQUENCY RANGE: DC~3G
 VSWR: 1.3MAX
 WORKING VOLTAGE: 500V RMS@SEA LEVEL
 INSULATION RESISTANCE: 5000 ohms min
 TEMPERATURE RANGE: -55°C TO +155°C
 RELATIVE TEMPERATURE: ≤ 95%(40°C±2°C)
 DRAWINGS PRODUCTS ARE IN LINE WITH ROHS STANDARDS

1	BODY	BRASS	NICKEL	1	NOTE:
2	TRESTLE	IRON	NICKEL	1	
3	CONTACT PIN	BRASS	GOLD	1	
4	INSULATOR	POM	NONE	1	
5					DRAWN
6					W.cheng
7					2020/05/11
8					CHECKED
9					
10					APPROVALS
NO	COMPONENT NUMBER	MATERIAL	FINISH	QTY	
A		B			C

TOLERANCE		UNLESS OTHERWISE SPECIFIED
VIEW		TOLERANCES DIMENSIONS ARE
UNIT		0.5-8MM ±0.020MM
SCALE		8-30MM ±0.40MM
1 : 1		30-120MM ±0.50MM
SIZE	PRODUCT NO:	DOSHIN DOSIN INDUSTRIAL(HK)CO.,LTD 东莞市德索五金电子有限公司 Dongguan Dosin Hardware Electronics Co.,Ltd. Fax: (0086)769-81875836 Web: http://www.dosin.com dosin2005@dosin-china.com E-mail: dosin2005@163.com Tel: (0086)769-81153906
DATE	CAD FILE	
2020/05/11	D/compan ydr awings/BD	F CONNECTOR DNN
SHEET: 1 OF 1		SIZE
		A