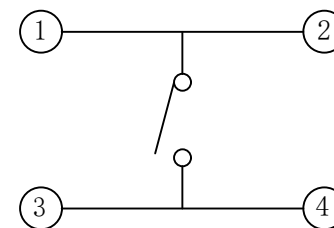
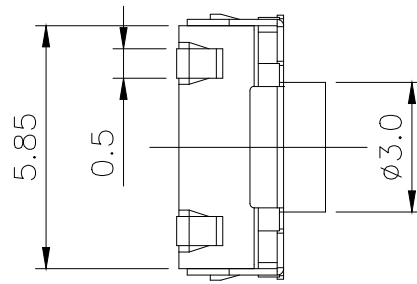
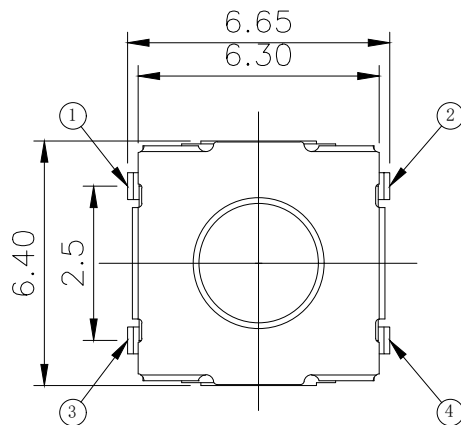
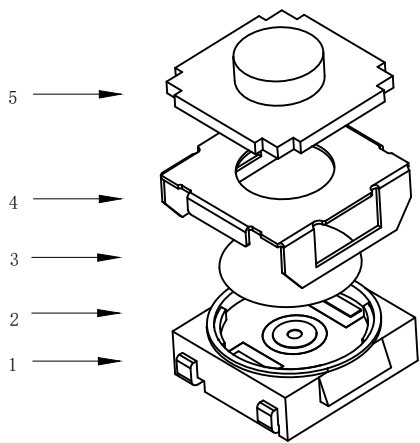


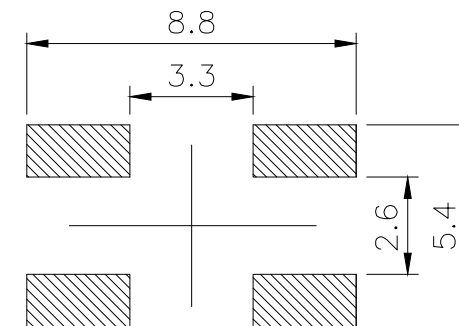
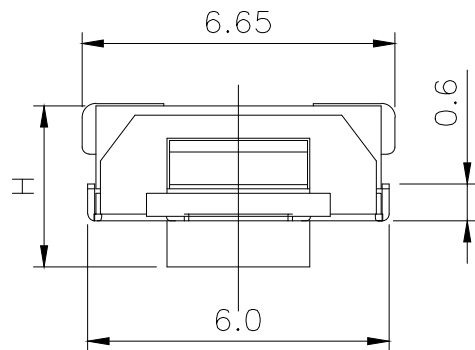
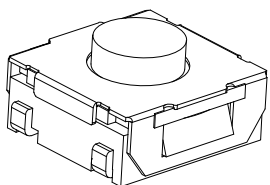
# RoHS

CAD GENERATED DRAWING. DON'T CHANGE BY HAND.

REV.	ECN. NO.	APPD.



CIRCUIT DIAGRAM



PCB. WELDING DRAWING

### Specification

Operating Life	100,000
Contact rating	50mA@12V DC.
Insulation resistance	1011 $\Omega$ min.
Contact resistance	100m $\Omega$ max. initial.
Dielectric Strength	250 V AC(1mm)
Travel	0.25 $\pm$ 0.15mm
Storage Temperature	-30 $^{\circ}$ C to 80 $^{\circ}$ C

Packaging:  
Reel of 1,500 pieces for 3.1-3.5H  
Reel of 1,000 pieces for 4.3 $\times$ 5.0H

E	Button	Silica	1	Pickling
D	COVER	Stainless Steel	1	Cleaning
C	DOME	Stainless Steel	1	Plated Ag
B	HOUSING	PPA	1	Black
A	PIN	PHOSPHOR BRONZE	1	Plated Ag
ITEM	DESCRIPTION	MATERIAL	QTY	FINISH/COLOR

### Mechanical

Type	Operating Force (gf)	Height mm	Button	Leads Shape (G, J, T)	Ground pin (0, 1)	Pogo Option (0, 1)
YTS1S005	4	400 $\pm$ 50	D	5.0	E (Ecrn) U (Blue) # (White)	J
	3	250 $\pm$ 50	C	4.3		
	2	160 $\pm$ 50	B	3.5		
	1	100 $\pm$ 50	A	3.1		

X.	$\pm 0.50$	X. $^{\circ}$	$\pm 2^{\circ}$
.X	$\pm 0.30$	.X $^{\circ}$	$\pm 1^{\circ}$
.XX	$\pm 0.10$	.XX $^{\circ}$	$\pm 0.5^{\circ}$
.XXX	$\pm 0.05$		

UNITS	mm
MAT'L	/
FINISH	/
Q'TY	/

	<b>深圳市怡远科技有限公司</b> SHENZHEN YIYUAN TECHNOLOGY CO., LTD							
	PART NO. <b>YTS1S005*J</b>	TITLE: <b>TACTILE SWITCH</b>						
APPD: ROGER	DWG NO.: <b>YTS1S005*J</b>							
CHKD: ROC								
DR: BILLY WANG 2020/08/21		<table border="1"> <tr> <td>SCALE</td> <td>SHEET</td> <td>REV.</td> </tr> <tr> <td>1/1</td> <td>1/1</td> <td>A1</td> </tr> </table>	SCALE	SHEET	REV.	1/1	1/1	A1
SCALE	SHEET	REV.						
1/1	1/1	A1						

THESE DRAWINGS AND SPECIFICATIONS ARE THE PROPERTY OF YIYUAN TECHNOLOGY CO.,LTD AND SHALL NOT BE REPRODUCED, COPIED OR USED IN ANY MANNER WITHOUT THE PRIOR WRITTEN CONSENT OF YIYUAN TECHNOLOGY CO.,LTD