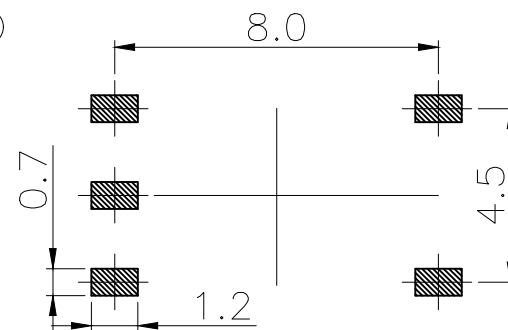
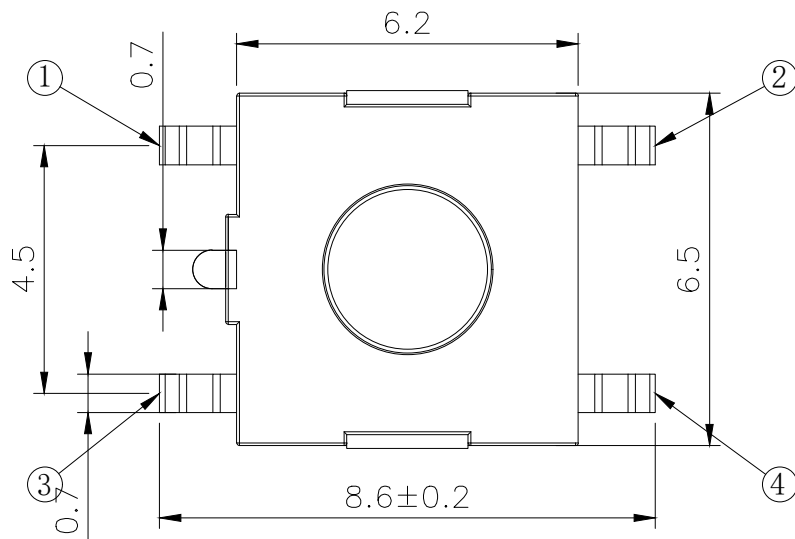
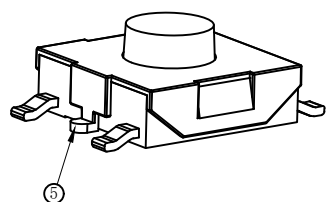


CIRCUIT DIAGRAM



PCB. WELDING DRAWING

Specification

Operating Life	100,000
Contact rating	50mA@12V DC.
Insulation resistance	1011 Ω min.
Contact resistance	100m Ω max. initial.
Dielectric Strength	250 V AC(1mm)
Travel	0.25 ± 0.15mm
Storage Temperature	- 30° C to 80° C

Packaging:
Reel of 1,500 pieces.

Mechanical

E	Button	PPA	1	Pickling
D	COVER	Stainless Steel	1	Cleaning
C	DOME	Stainless Steel	1	Plated Ag
B	HOUSING	PPA	1	Black
A	PIN	PHOSPHOR BRONZE	1	Plated Ag
ITEM	DESCRIPTION	MATERIAL	QTY	FINISH/COLOR

Type	Operatin Force(gf)	Heiight mm	Button	Leads Shape (G, J, T)	Ground pin (0, 1)	Pegs Option (0, 1)
YTS1S004	3	320 ± 50	F	B(Black) R(Red)	G	0 (No), 1 (Yes)
			E			
			D			
2	250 ± 50	D	G	0 (No), 1 (Yes)	0 (No), 1 (Yes)	
		C				
		B				
1	160 ± 50	A	G	0 (No), 1 (Yes)	0 (No), 1 (Yes)	

X.	± 0.50	X.°	± 2°
.X	± 0.30	.X°	± 1°
.XX	± 0.10	.XX°	± 0.5°
.XXX	± 0.05		

THESE DRAWINGS AND SPECIFICATIONS ARE THE PROPERTY OF YIYUAN TECHNOLOGY CO.,LTD AND SHALL NOT BE REPRODUCED, COPIED OR USED IN ANY MANNER WITHOUT THE PRIOR WRITTEN CONSENT OF YIYUAN TECHNOLOGY CO.,LTD

UNITS	mm
MAT'L	/
FINISH	/
Q' TY	/



深圳市怡远科技有限公司
SHENZHEN YIYUAN TECHNOLOGY CO., LTD

PART NO.	YTS1S004
APPD:	ROGER
CHKD:	ROC
DR:	BILLY WANG 2020/08/21

TITLE:	TACTILE SWITCH	
DWG NO.:	YTS1S004	
SCALE	SHEET	REV.
1/1	1/1	A1