

Specifications:

规格:

Voltage rating: 125V AC/DC

额定电压: 125V AC/DC

Current rating: 2A AC/DC

额定电流: 2A AC/DC

Contact Resistance: ≤20MΩ

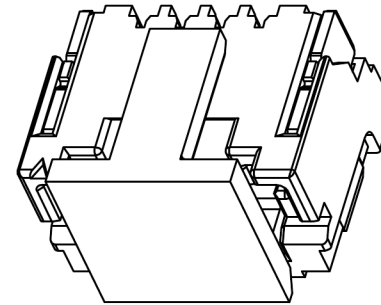
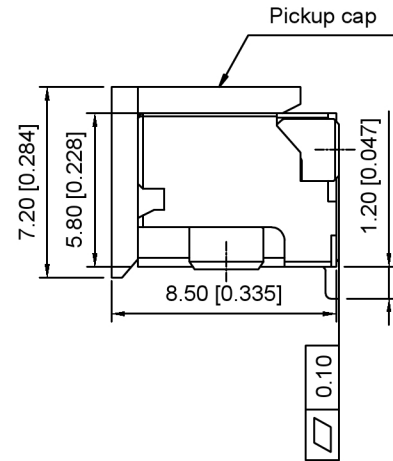
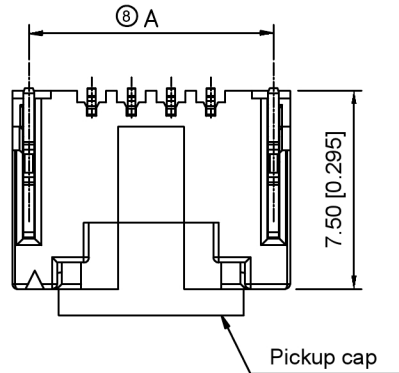
接触电阻: ≤20MΩ

Insulation Resistance: ≥500MΩ

绝缘电阻: ≥500MΩ

Dielectric strength: 500V AC/minute

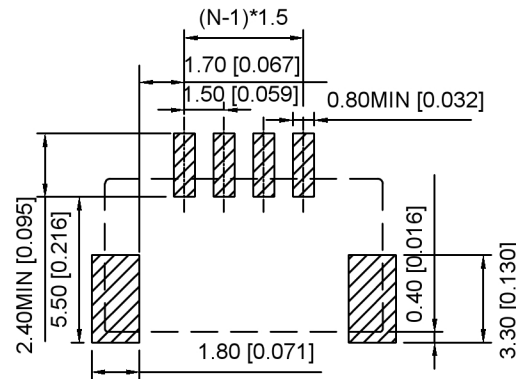
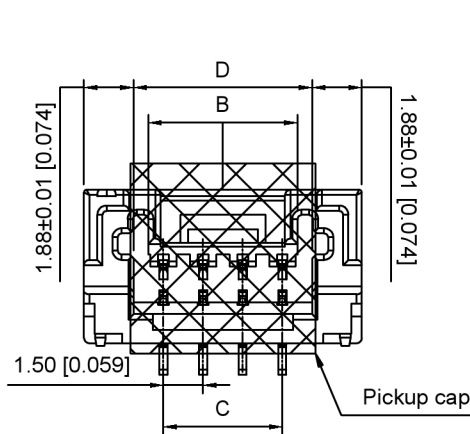
耐压: 500V AC/minute



X1506 W V S -XX-9T SW
① ② ③ ④ ⑤ ⑥ ⑦

- ① Series No
- ② Category: W-WAFER
- ③ Welding Board Angle: V-90°
- ④ Welding Way: S-SMT
- ⑤ Row No-Pin No: XX-02-16PIN
- ⑥ Material: 9T-PA9T 94V-0
- ⑦ Plating Category: SW-Matte Tin Plating (Tin: 70u Min)

Poles	Dimensions(mm)			
	A±0.2	B±0.2	C±0.2	D±0.2
2	6.25	2.65	1.50	3.75
3	7.75	4.15	3.00	5.25
4	9.25	5.65	4.50	6.75
5	10.75	7.15	6.00	8.25
6	12.25	8.65	7.50	9.75
7	13.75	10.15	9.00	11.25
8	15.25	11.65	10.50	12.75
9	16.75	13.15	12.00	14.25
10	18.25	14.65	13.50	15.75
11	19.75	16.15	15.00	17.25
12	21.25	17.65	16.50	18.75
13	22.75	19.15	18.00	20.25
14	24.25	20.65	19.50	21.75
15	25.75	22.15	21.00	23.25
16	27.25	23.65	22.50	24.75



Recommended P.C.B Layout
General Tolerance ±0.05

X1506WVS-XX-9TSW	PA9T UL 94V-0	Brass	Tin-Plated	X1506H
PART NO	Material	Material (pin)	Finish (Pin)	Suitable XKB Terminal

广东星坤科技股份有限公司

生效 日期

文件工程章

DSND	SCALE: N/A	MODEL TYPE: 1.50mm Crimp Style Connectors
DWN	VIEW:	PART NO.: X1506WVS-XX-9TSW
CHKD	UNIT: mm/in	DWG NO.: X-X1506WVS-XX-9TSW
APPD	SIZE: A4	WEIGHT SHEET REVISION 1/1 A0



XKB INDUSTRIAL PRECISION CO., LIMITED