

环保物料

TEL: 0769-82001899

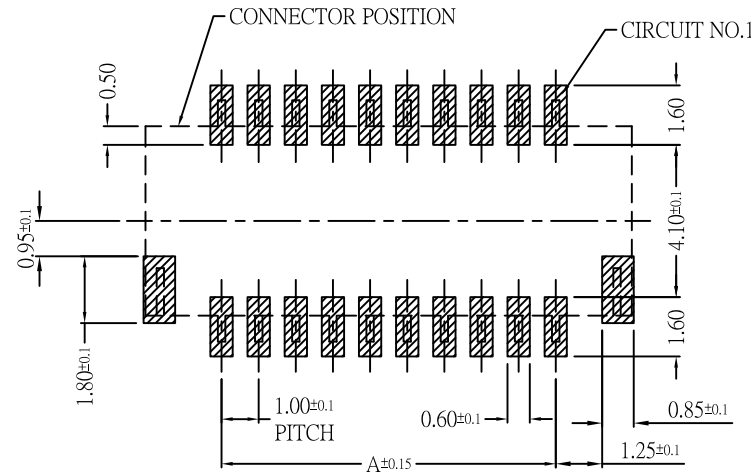
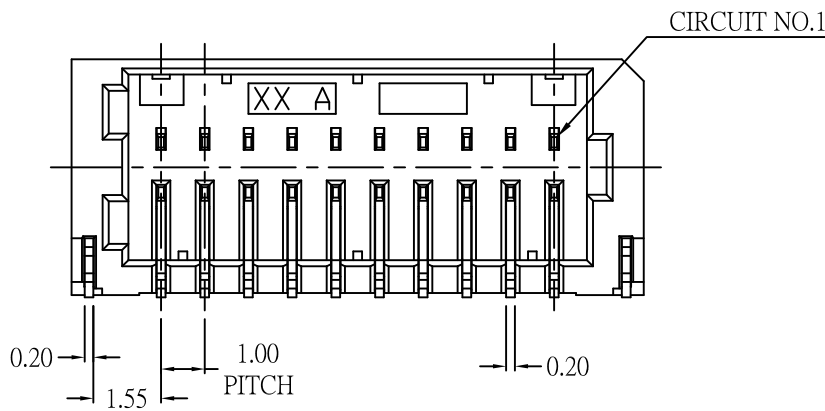
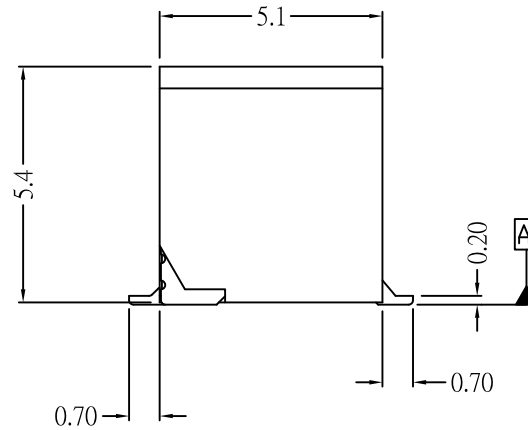
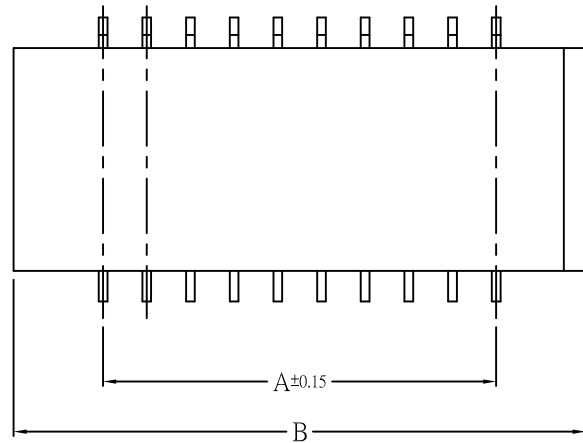
SPECIFICATIONS

- 1.Voltage rating: 50V AC, DC
- 2.Current rating: 1A, AC, DC
- 3.Withstanding Voltage: 500V AC/minute
- 4.Insulation resistance:100M min
- 5.Temperature range: -25 ° C +85 ° C
- 6.Contact resistance: 20m max

WAFER

Housing Material: PA9T/6T UL 94V0
 Pin Material: Phosphor Bronze or Brass
 Contact Area Plating: Plated Tin or Plated Gold
 Mates with :P1010 series Housing
 Poles:08-60P
 Part No.: M1010RS-2xXXP

Pin位数



C K T	D im A	D im B	D im C
8	3.0	7.1	4.4
10	4.0	8.1	5.4
12	5.0	9.1	6.4
14	6.0	10.1	7.4
16	7.0	11.1	8.4
20	9.0	13.1	10.4
24	11.0	15.1	12.4
30	14.0	18.1	15.4
34	16.0	20.1	17.4
40	19.0	23.1	20.4
50	24.0	28.1	25.4

PCB PATTERN LAYOUT

TOLERANCE UNLESS OTHERWISE

X.	±0.30	X°	±5°
.X	±0.20	.X°	±2°
.XX	±0.08	.XX°	±1°
.XXX	±0.03	.XXX°	±0.5°

DRAWN	CK tan
CHKD	
APPD	
VIEW	

XFCN 兴飞连接器有限公司
 XFCN CONNECTORS CO.,LTD.

PRODUCT NAME 1.00mm Crimp Style Connectors

PART. NO. M1010RS-2xXXP

SHEET	1/1
DATE	2020.04.12
UNITS	mm
SCALE	1:1
DWG. NO.	009

AO

VER

MODIFICATION

DRAW

DATE