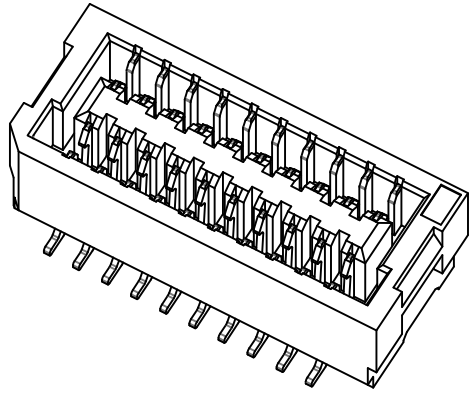
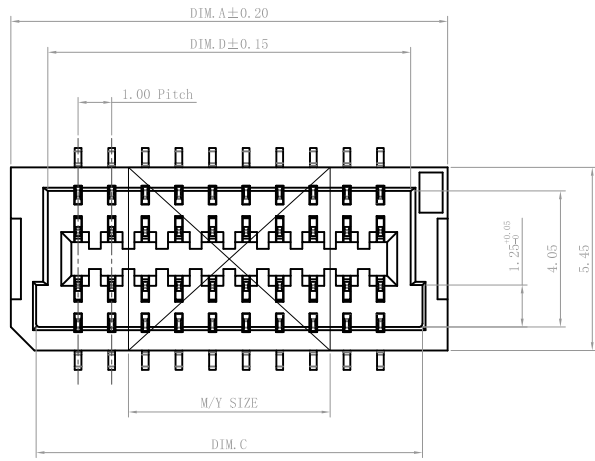
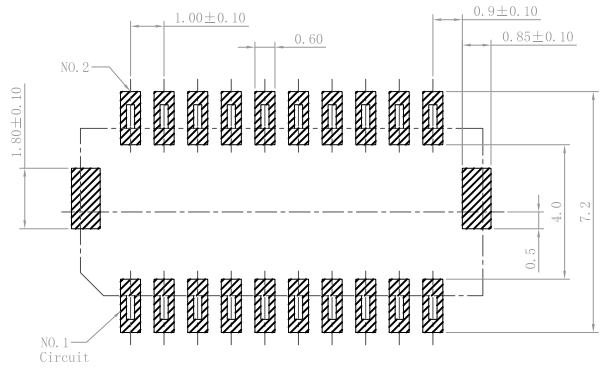
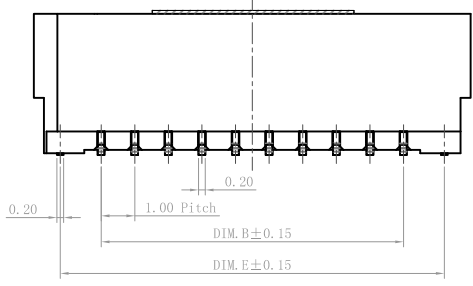
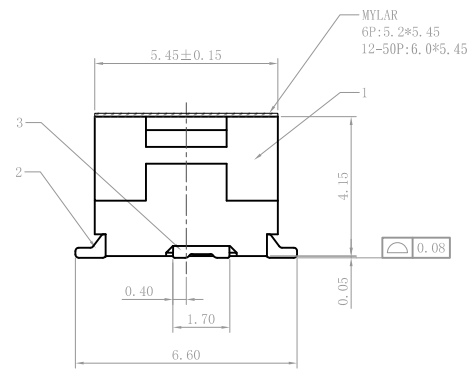


环保物料

TEL:0769-82001899



NOTES:
 1. FINISH:SEE BOM
 TERMINAL:NICKLE 50U"Min UNDERPLATING OVER ALL.
 2.SPECIFICATION:
 2-1. ELECTRICAL CHARACTERISTICS:(RMS)
 2-1-1. CURRENT RATING: 1.0A AC/DC(AWG#28/30/32).
 2-1-2. VOLTAGE RATING: 50V AC/DC(per pin)
 2-1-3. CONTACT RESISTANCE: 55 mΩ(MAX.).
 2-1-4.INSULATION RESISTANCE: 500 MΩ (Min).
 2-1-5.DIELECTRIC WITHSTANDING VOLTAGE:300 V AC (Minute).
 2-2.ENVIRONMENT CHARACTERISTICS:
 2-2-1.OPERATING TEMPERATURE:-40 °C TO +85 °C



P.C.B PATTERN LAYOUT
 GENERAL TOLERANCE ±0.05

CKT.	DIM. A	DIM. B	DIM. C	DIM. D	DIM. E
6	6.0	2.0	4.5	3.8	4.43
10	8.0	4.0	6.5	5.8	6.43
12	9.0	5.0	7.5	6.8	7.43
14	10.0	6.0	8.5	7.8	8.43
16	11.0	7.0	9.5	8.8	9.43
18	12.0	8.0	10.5	9.8	10.43
20	13.0	9.0	11.5	10.8	11.43
24	15.0	11.0	13.5	12.8	13.43
30	18.0	14.0	16.5	15.8	16.43
40	23.0	19.0	21.5	20.8	21.43
50	28.0	24.0	26.5	25.8	26.43

NO.	DESCRIPTION	Q'TY.	MATERIAL
3	PAD	2	COPPER ALLOY FOGGY Sn & Au PLATED
2	TERMINAL	XX	COPPER ALLOY FOGGY Sn & Au PLATED
1	HOUSING	1	high temperature UL 94V-0 NATURAL

TOLERANCE UNLESS OTHERWISE	DRAWN	CK tan
X. ±0.30 X° ±5°	CHKD	
.X ±0.20 .X° ±2°	APPD	
.XX ±0.08 .XX° ±1°	VIEW	⊕
.XXX ±0.03 .XXX° ±0.5°		

XFCN 兴飞连接器有限公司
 XFCN CONNECTORS CO.,LTD.
 PRODUCT NAME: 1.00mm Crimp Style Connectors
 PART. NO.: M1009VS-2xXXP

SHEET	1/1
DATE	2020.04.12
UNITS	mm
SCALE	1:1
DWG NO.	009

AO	MODIFICATION	DRAW	DATE
VER			