

Features

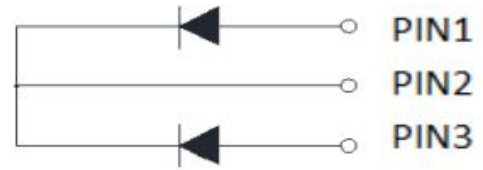
- Super-fast recovery time for high efficiency
- Glass passivated chip junction
- Low leakage current
- High forward surge capability
- Solder dip maximum peak of 275 °C /7s, per JESD 22-B106

Typical Application

For use in high frequency rectification and freewheeling application in switching mode converters and inverters for consumer ,computer and telecommunication.

Mechanical Data

- Package: ITO-220AB
Molding compound meets UL 94 V-0 flammability rating, RoHS-compliant
- Terminals: Tin plated leads, solderable per J-STD-002 and JESD22-B102
- Polarity: Color Band denotes cathode end



Maximum Ratings (Ta=25°C Unless otherwise specified)

PARAMETER	Symbol	Unit	Conditions	MUR-FCT				
				1010	1015	1020	1040	1060
Repetitive Peak Reverse Voltage	V_{RRM}	V		100	150	200	400	600
Average Rectified Output Current	I_o	A	60HZ Half-sine wave, Resistance load, TC(Fig.1)	10				
Surge(Nonrepetitive)Forward Current	I_{FSM}	A	60HZ Half-sine wave, 1 cycle, Ta=25°C	120				
Current Squared Time	I^2t	A ² s	1ms≤t<8.3ms Tj=25°C	59.5				
Storage Temperature	T_{stg}	°C		-55 ~ +150				
Junction Temperature	T_j	°C		-55 ~ +150				

Electrical Characteristics (Ta=25°C Unless otherwise specified)

PARAMETER	Symbol	Unit	Conditions	MUR-FCT				
				1010	1015	1020	1040	1060
Peak Forward Voltage	V_{FM}	V	$I_{FM}=5A$	0.975			1.3	1.7
Peak Reverse Current	I_{RRM1}	μA	$V_{RM}=V_{RRM}$	$T_a=25^\circ C$				
	I_{RRM2}			$T_a=125^\circ C$				
Reverse Recovery Time	T_{rr}	ns	$I_F=0.5A, I_R=1.0A, I_{rr}=0.25A$	35				
Thermal Resistance(Typical)	$R_{\theta J-C}$	°C/W	Between junction and ambient	2.0				



MUR1010FCT THRU MUR1060FCT

■ Characteristics (Typical)

FIG1: Forward Current Derating Curve

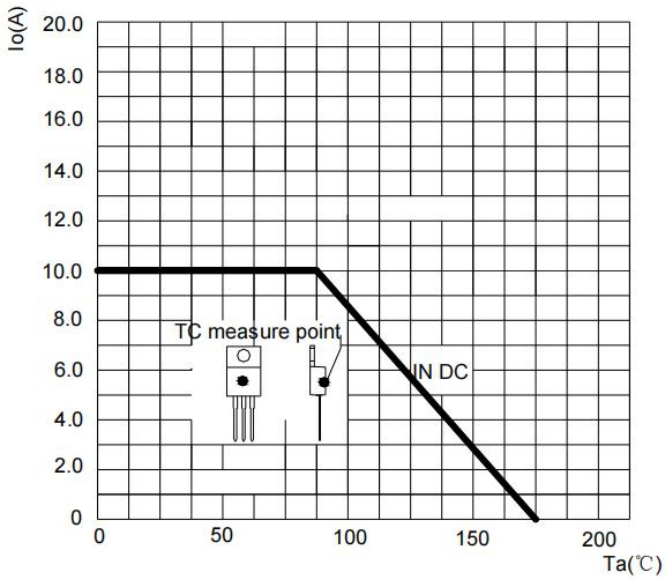


FIG2: Surge Forward Current Capability

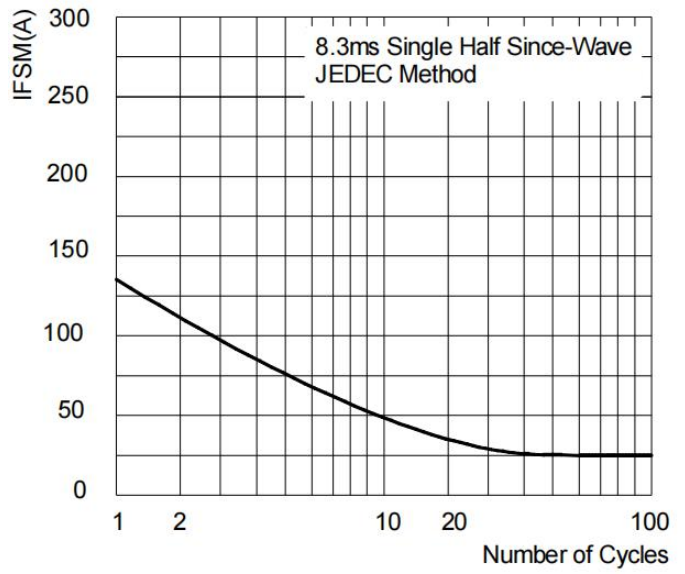


FIG3: Instantaneous Forward Voltage

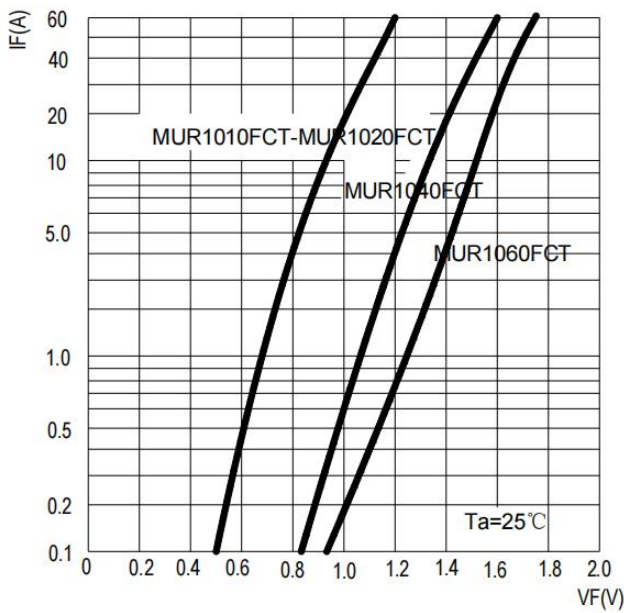


FIG4: Typical Reverse Characteristics

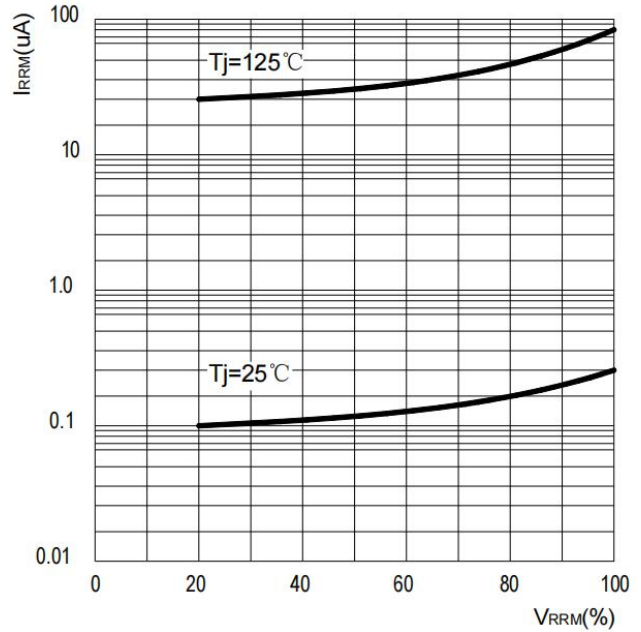
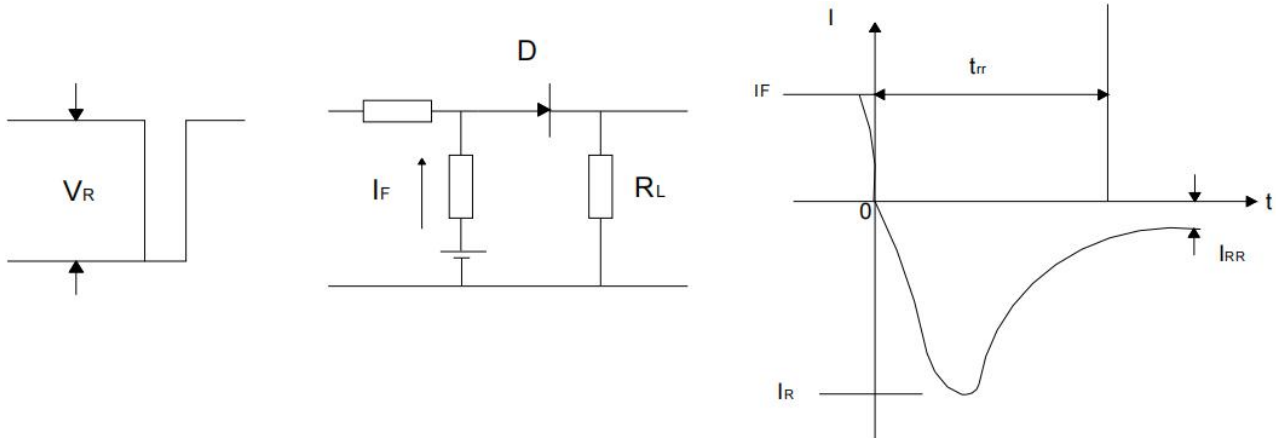


FIG5: Diagram of circuit and Testing wave form of reverse recovery time



MUR1010FCT THRU MUR1060FCT

Ordering Information (Example)

PREFERED	PACKAGE CODE	MINIMUM PACKAGE(pcs)	INNER BOX QUANTITY(pcs)	OUTER CARTON QUANTITY(pcs)	DELIVERY MODE
MUR1010FCT~MUR1060FCT	ITO-220AB	50	1000	5000	Tube

Outline Dimensions

