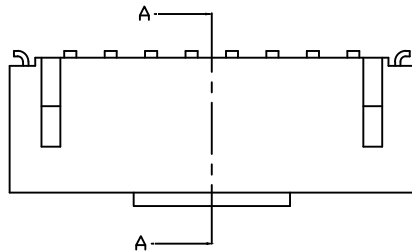
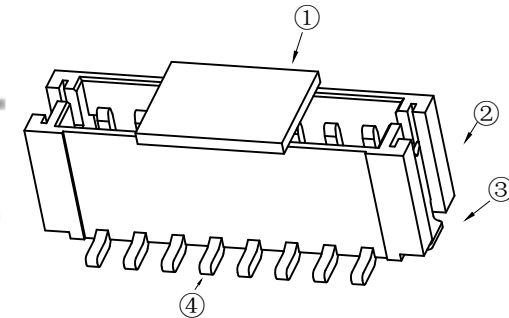
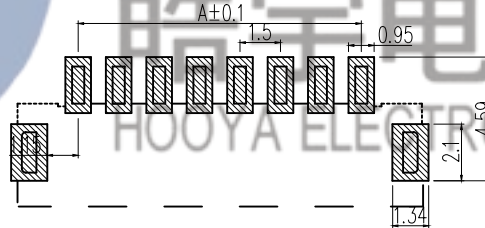
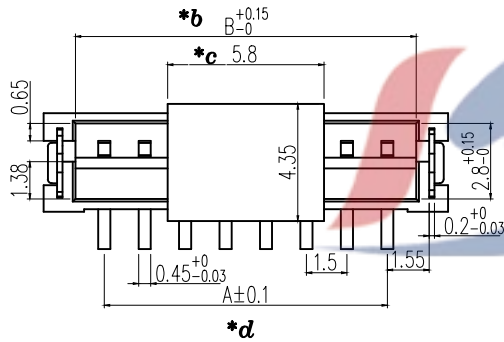
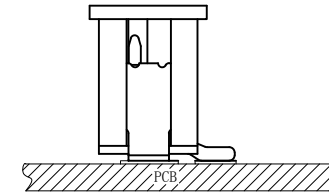
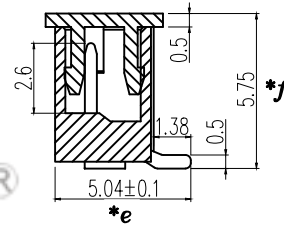


截面 A-A



Circuits	Dimensions (mm)			Circuits	Dimensions (mm)		
	A	B	C		A	B	C
ZH1500-LT-2P	1.5	3.66	6.02	ZH1500-LT-12P	16.5	18.66	21.02
ZH1500-LT-3P	3.0	5.16	7.52	ZH1500-LT-13P	18.0	20.16	22.52
ZH1500-LT-4P	4.5	6.66	9.02	ZH1500-LT-14P	19.5	21.66	24.02
ZH1500-LT-5P	6.0	8.16	10.52	ZH1500-LT-15P	21.0	23.16	25.52
ZH1500-LT-6P	7.5	9.66	12.02	ZH1500-LT-16P	22.5	24.66	27.02
ZH1500-LT-7P	9.0	11.16	13.52	ZH1500-LT-17P	24.0	26.16	28.52
ZH1500-LT-8P	10.5	12.66	15.02	ZH1500-LT-18P	25.5	27.66	30.02
ZH1500-LT-9P	12.0	14.16	16.52	ZH1500-LT-19P	27.0	29.16	31.52
ZH1500-LT-10P	13.5	15.66	18.02	ZH1500-LT-20P	28.5	30.66	33.02
ZH1500-LT-11P	15.0	17.16	19.52				

				TOLERANCE UNLESS SPECIFIED					
				UP TO 5mm: ±0.1	ANGULAR				
				ABOVE 5mm: ±0.2	±1°	NO	DATE	REVISIONS	BY APPD
4	CONTACT PIN	BRASS	X	SN-PLATING	TITLE: CONNECTOR		UNIT : MM	ROHS	DWN
3	SOLDER PAD	BRASS	2	SN-PLATING	MODEL:ZH1500-LT-XX		SCALE: 6:1	COMPLIANT	CHK'D
2	COVER PLATE	LCP	1		HOOYA (HONG KONG) LIMITED 皓宇(香港)有限公司			APPD	
1	COVER PLATE	LCP	1				PRO.AGL:		
NO.	PART NAME	MATERIAL	QTY	FINISHING					