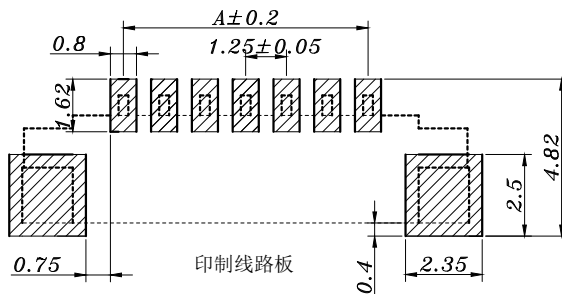
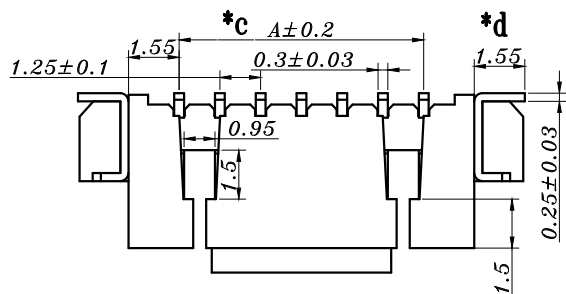
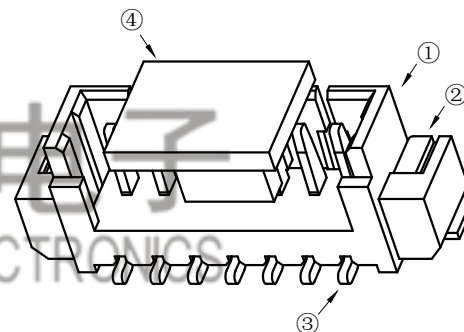
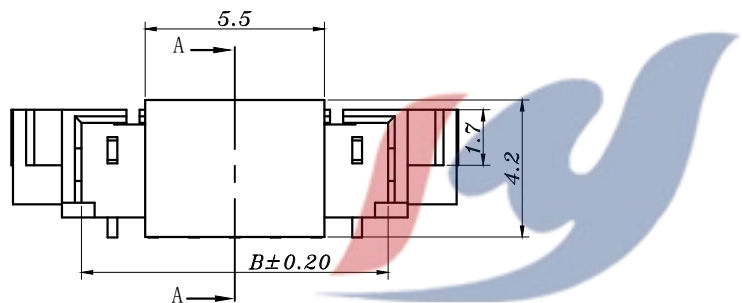
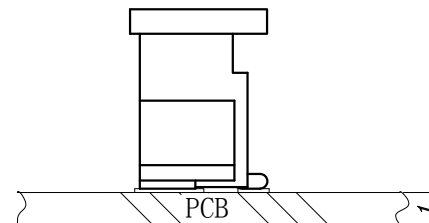
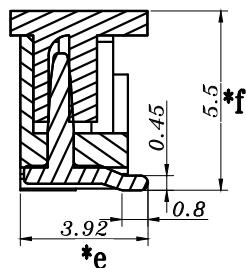


截面 A-A



Circuits	Dimensions (mm)			Circuits	Dimensions (mm)		
	A	B	C		A	B	C
PH1250-LT-02	1.25	3.10	7.30	PH1250-LT-12	13.75	15.60	19.85
PH1250-LT-03	2.50	4.35	8.60	PH1250-LT-13	15.00	16.85	21.10
PH1250-LT-04	3.75	5.60	9.80	PH1250-LT-14	16.25	18.10	22.35
PH1250-LT-05	5.00	6.85	11.10	PH1250-LT-15	17.50	19.35	23.60
PH1250-LT-06	6.25	8.10	12.30	PH1250-LT-16	18.75	20.60	24.85
PH1250-LT-07	7.50	9.35	13.60	PH1250-LT-17	20.00	21.85	26.10
PH1250-LT-08	8.75	10.60	14.90	PH1250-LT-18	21.25	23.10	27.35
PH1250-LT-09	10.00	11.85	16.10	PH1250-LT-19	22.50	24.35	28.60
PH1250-LT-10	11.25	13.10	17.30	PH1250-LT-20	23.75	25.60	29.85
PH1250-LT-11	12.50	14.35	18.60				

				TOLERANCE UNLESS SPECIFIED							
				UP TO 5mm: ±0.1	ANGLES						
				ABOVE 5mm: ±0.2	±1.5°						
						NO	DATE	REVISIONS		BY	APPD
4	COVER	LCP	1	TITLE: CONNECTOR			UNIT : MM	ROHS	DWN		
3	CONTACT FOOT	BRASS	XX	PART NO. : PH1250-LT-XX带帽子			SCALE: 2:1	COMPLIANT	CHK'D		
2	CONTACT	BRASS	2						APPD		
1	HOUSING	LCP	1								
NO.	PART	NAME	MATERIAL	QTY	FINISHING	HAOYU(HONGKONG)LIMITED 皓宇(香港)有限公司			PRO.AGL:		REV :A0