

Operation: DIP 3.1 Type-C / 直立 & 夹板式



LTEM NO.: MC-336

(Type-C CONNECTORS)

C-Universal Serial Bus Connectors



Technical parameter

PROJECT	LEVEL	LEVEL	
		A[better product]	B[average product]
Electrical Properties	Contact Rating	3A, 24V DC	
	Initial Contact Resistance	30mΩ max.	50mΩ max.
	Insulation Resistance	100MΩ min.500V DC	Skey/PD: 100MΩ min.300V DC
Durable Performance	Withstand Voltage	500V AC for 1 minute	350 V AC for 1 minut
	There No Load	6,500 Cycles	5,500 Cycles
	Rated Load	5,500 Cycles	4,500 Cycles
Storage temp.		-25℃~+75℃(Operating Temp:)	

表面插装 DIP

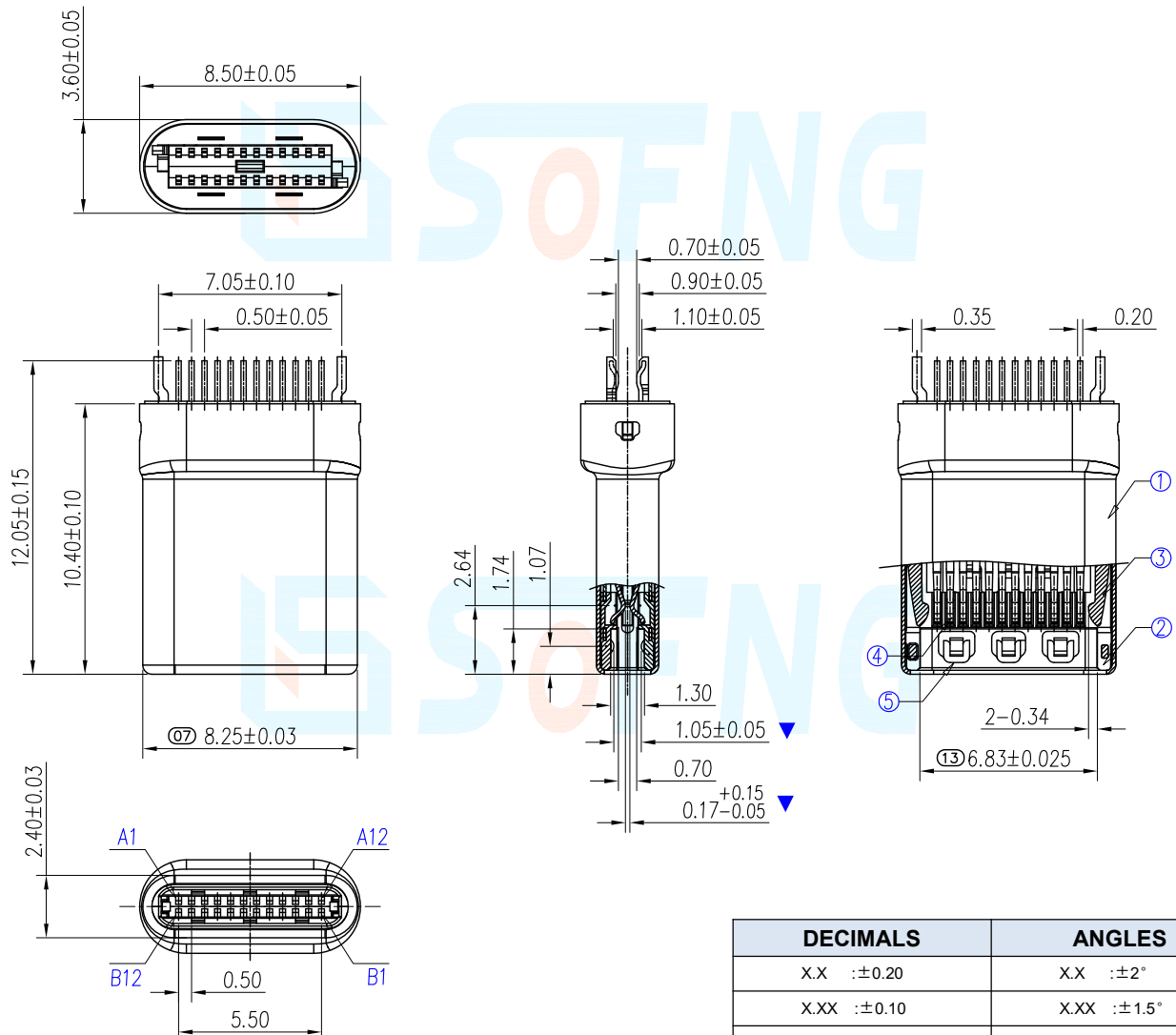
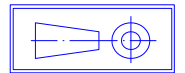
正向导入 LATERAL

精密部品 NICETY

可靠 STABILIZE

適合环保 RoHS

Unit:mm



DECIMALS	ANGLES
X.X :±0.20	X.X :±2°
X.XX :±0.10	X.XX :±1.5°
X.XXX :±0.05	

Operating Force

Inward
Exiting

5.0~8.0N. (1N.=100gram-force)

5.0~8.0N. (1N.=100gram-force)

Solder-ability (Max.)

IR Reflow:255°C, 5sec.

Manual:350°C, 3sec.

PIN	Signal NAME	Description	PIN	Signal NAME	Description
A 1	GND	Ground return	B12	GND	Ground return
A 2	SSTXp1	Positive half of first SuperSpeed TX differential pair	B11	SSRXp1	Positive half of second SuperSpeed RX differential pair
A 3	SSTXn1	Negative half of first SuperSpeed TX differential pair	B10	SSRXn1	Negative half of second SuperSpeed RX differential pair
A 4	V BUS	Bus Power	B 9	V BUS	Bus Power
A 5	CC1	Configuration Channel	B 8	SBU2	Sideband Use(SBU)
A 6	Dp1	Positive half of the USB 2.0 differential pair-Position 1	B 7	Dn2	Negative half of the USB 2.0 differential pair-Position 2
A 7	Dn1	Negative half of the USB 2.0 differential pair-Position 1	B 6	Dp2	Positive half of the USB 2.0 differential pair-Position 2
A 8	SBU1	Sideband Use(SBU)	B 5	CC2	Configuration Channel
A 9	V BUS	Bus Power	B 4	V BUS	Bus Power
A10	SSRXn2	Negative half of second SuperSpeed RX differential pair	B 3	SSTXn2	Negative half of first SuperSpeed TX differential pair2
A11	SSRXp2	Positive half of second SuperSpeed RX differential pair	B 2	SSTXp2	Positive half of first SuperSpeed TX differential pair2
A12	GND	Ground return	B 1	GND	Ground return

Pin Definition



Material declaration

No.	NAME	Type	Description
①	SHELL		Stainless Steel; SUS316, T=0.15mm;
②	HOUSING		LCP Thermoplastic, UL94V-0;
③	LATCH		Stainless Steel; SUS304, T=0.35mm;
④	CONTACT		Copper Alloy; AuNiSn;
⑤	EMC SPRING		Stainless Steel; SUS304, T=0.10mm;



本品不屬於危害性廢棄物,須丟棄時可以委託
回收商予以回收再生處理。

Products do not belong to •

注記 NOTICE

1. 碩方公司擁有最終解釋權; The company reserves the right of final interpretation;
2. 文件禁止外洩、轉載; Leaked and reproduced prohibited;
3. 未經授權修改無效。Modify is invalid.

運送時本產品不要直接與水、酸鹼性化學物質接觸,或放置於含有以上氣體環境中,並且需要注意會有滑落、側翻的危險發生; 運輸過程中不能有碰撞或者擠壓,須保證溫度與濕度適中 [常溫 25°C, 濕度在 50°C 以內], 不可導致材料變形或氧化。