

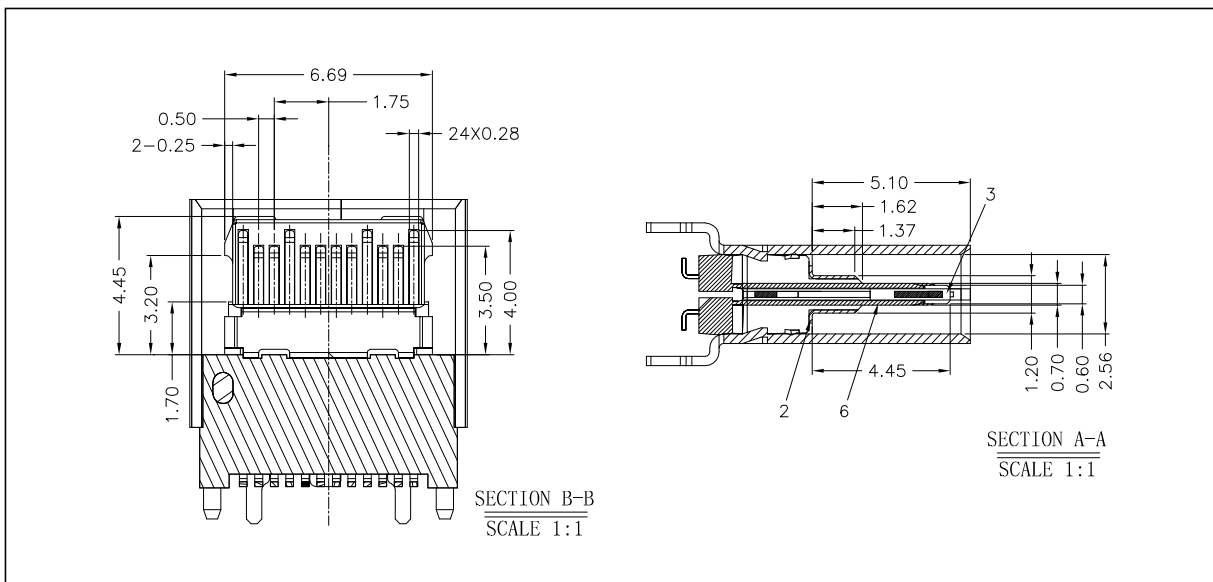
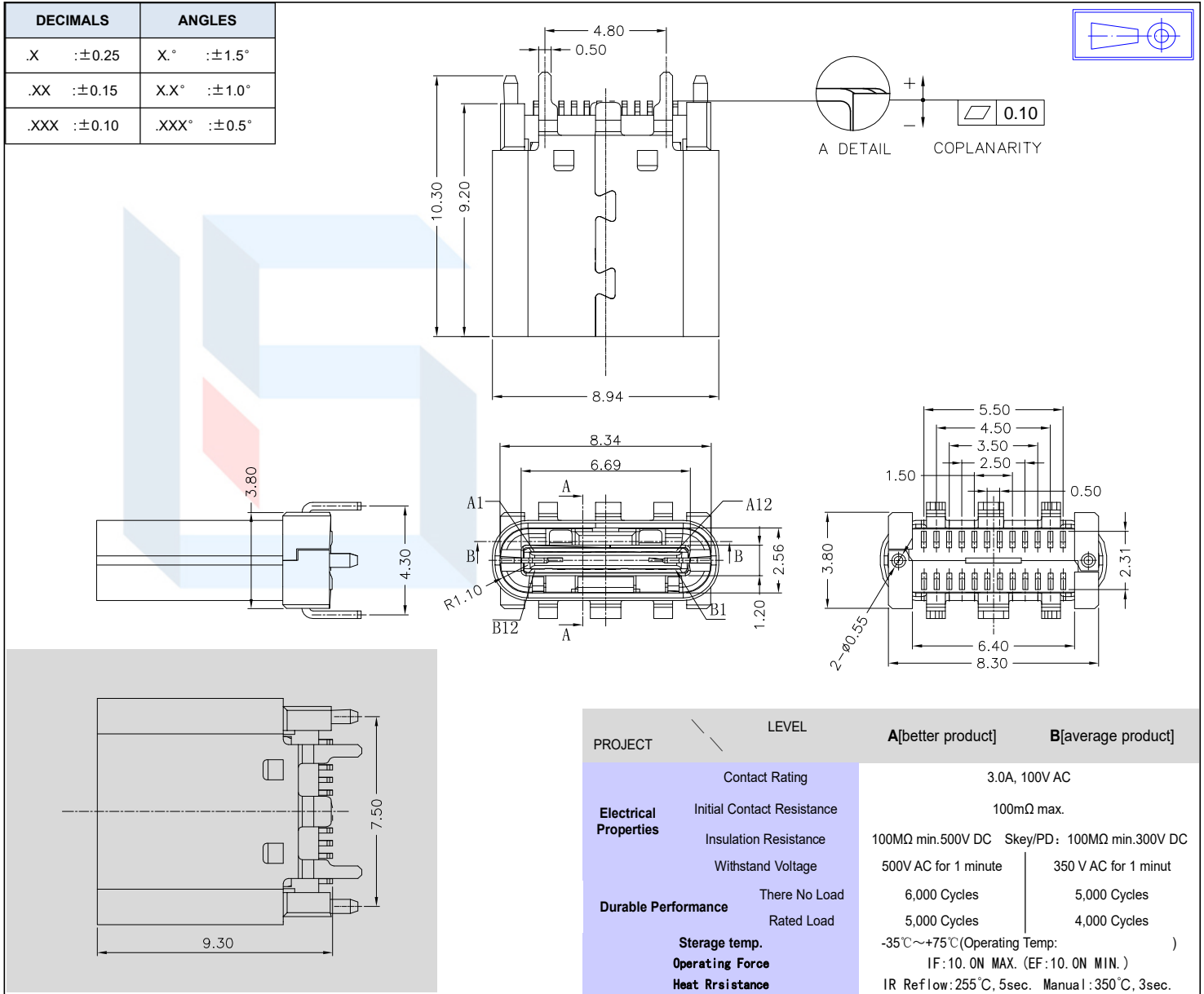
## Operation: 24PIN 贴片短体直立式 Type-C(3.0)连接器



LTEM NO.: MC-318FB (短体) (Series)

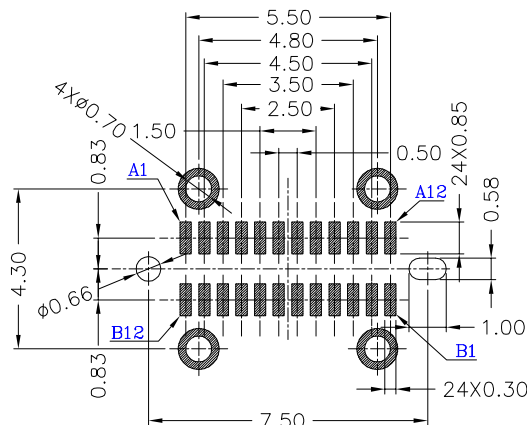
(L8.94×W3.80×H9.20 2.0-USB-CONNECTORS)

Unit:mm



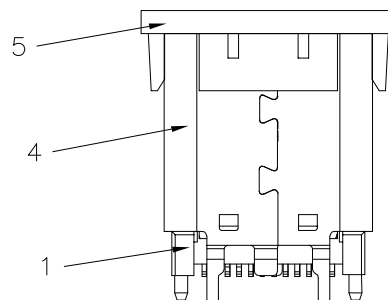
- 表面貼裝
- 精密部品 NICETY
- 可靠 STABILIZE
- 適合環保 RoHS

CIRCUIT BOARD SIZE  
(Vertical view)



Assignment

Material declaration			
No	NAME	MATERIAL	REMARKS
①	TERMINAL HOUSING 基座	HIGH TEMPERATURE PLASTIC	BLACK/NATURE/GREEN
②	SPRING 弹片	STAINLESS【G/F】t=0.10	0.25 μm Ni PLATED OVERALL;
③	IRON HOUSING 胶芯	HIGH TEMPERATURE PLASTIC	UL 94V-0,COLOR:BLACK;
④	SHELL 外壳	STAINLESS【G/F】t=0.30	Ni PLATED
⑤	DUST COVER 防护盖	HIGH TEMPERATURE PLASTIC	UL 94V-0,COLOR:BLACK;
⑥	CONTACT 接触端子	COPPER ALLOY【G/F】t=0.15	C5191R-H (1u" MIN)



PIN ASSIGNMENTS

PIN	Signal NAME	Description	PIN	Signal NAME	Description
A 1	GND	Ground return	B12	GND	
A 2	SSTXp1	Positive half of first SuperSpeed TX differential pair	B11	SSRXn1	Positive half of second SuperSpeed RX differential pair
A 3	SSTXn1	Negative half of first SuperSpeed TX differential pair	B10	SSRXn1	Negative half of second SuperSpeed RX differential pair
A 4	V BUS	Bus Power	B 9	V BUS	Bus Power
A 5	CC1	Configuration Channel	B 8	RFU1	Reserved for Future Use (RFU)
A 6	Dp1	Positive half of the USB 2.0 differential pair-Position 1	B 7	Dn1	Negative half of the USB 2.0 differential pair-Position 1
A 7	Dn1	Negative half of the USB 2.0 differential pair-Position 1	B 6	Dp1	Positive half of the USB 2.0 differential pair-Position 1
A 8	RFU1	Reserved for Future Use (RFU)	B 5	CC1	Configuration Channel
A 9	V BUS	Bus Power	B 4	V BUS	Bus Power
A10	SSRXn2	Negative half of second SuperSpeed RX differential pair	B 3	SSTXn2	Negative half of first SuperSpeed TX differential pair
A11	SSRXn2	Positive half of second SuperSpeed RX differential pair	B 2	SSTXp2	Positive half of first SuperSpeed TX differential pair
A12	GND	Ground return	B 1	GND	Ground return