

Operation: 16PIN-防水立贴式 / 一体加强结构 & 2.0Type-C连接器

TDI 认证 IPX8 防水

LTEM NO.:MC-311FL

(L12.34mm × W4.76mm × H7.85mm CONNECTORS)



RoHS Compliant

Technical parameter

PROJECT	LEVEL	A[better product]	B[average product]
	Contact Rating	5.0A, 12V DC	
Electrical Properties	Initial Contact Resistance	30mΩ max.	50mΩ max.
	Insulation Resistance	100MΩ min.500V DC	Skey/PD: 100MΩ min.300V DC
Durable Performance	Withstand Voltage	500V AC for 1 minute	350 V AC for 1 minut
	There No Load	10,000 Cycles	8,000 Cycles
	Rated Load	8,500 Cycles	6,500 Cycles
	Storage temp.	-35℃~+75℃(Operating Temp:)	

表面贴装 SMT

正向操作

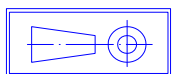
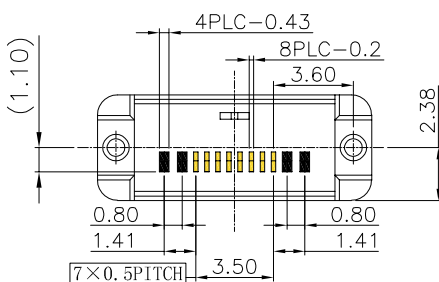
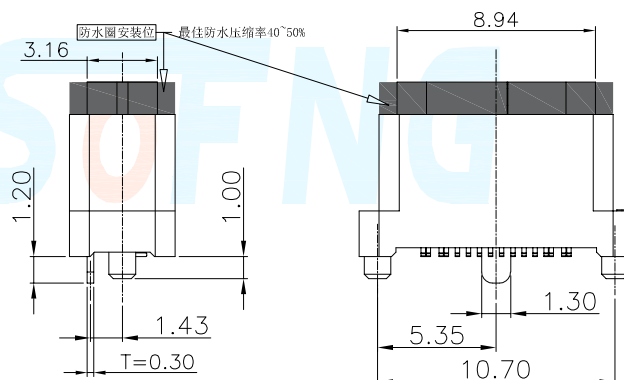
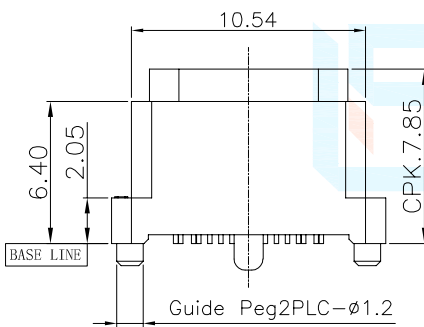
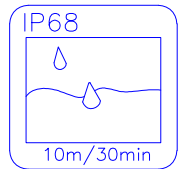
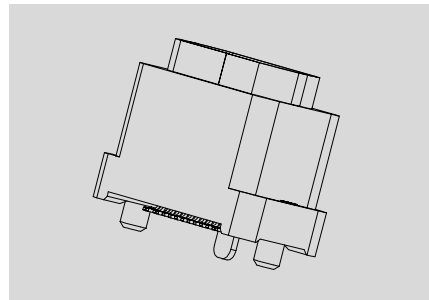
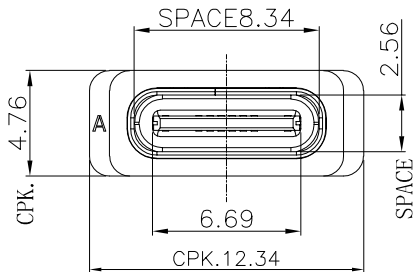
精密部品 NICETY

可靠 STABILIZE

適合環保 RoHS

Unit:mm

DECIMALS	ANGLES
.X :±0.20	X.° :±1.5°
.XX :±0.10	X.X° :±1.0°
.XXX :±0.05	.XXX° :±0.5°



Material declaration

No.	NAME	MATERIAL	DESCRIPTION
① A	TERMINAL 接触端子	COPPER ALLOY 【G/F】	2.0 μm Ni PLATED OVERALL; 0.25 μm Au PLATED CONTACT AREA; GOLD FLASH ON SOLDER AREA.
② B	HOUSING 基座	THERMOPLASTIC	UL 94V-0.COLOR:BLACK;
③ C	SHIELDING PLATE 屏蔽壳	STAINLESS STEE	【G/F】 0.25 μm Ni PLATED OVERALL;
④ D	SHELL 外壳	STAINLESS STEE	【G/F】 0.25 μm Ni PLATED OVERALL;
⑤ E	GND RING 接地件	STAINLESS STEE	STAINLESS STEEL;
⑥ F	GLUE WATER 低温胶水	-	EPOXY[Black]

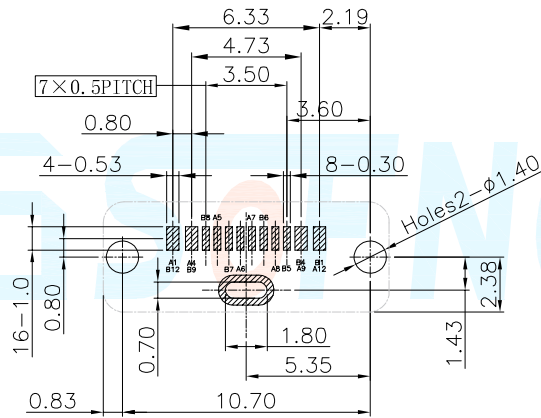
Operating Force

Inward
Exiting

5.0~8.0N. (1N.=100gram-force)
5.0~8.0N. (1N.=100gram-force)

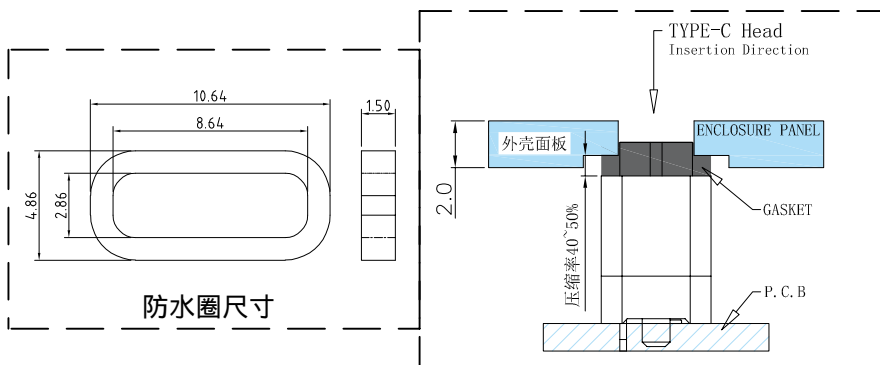
Solder-ability (Max.)

IR Reflow:255°C, 5sec. Manual:350°C, 3sec.



Pin Definition

PIN	Signal NAME	Description	PIN	Signal NAME	Description
A1	C1	GND	B12	C1	GND
A4	C2	V BUS	B9	C2	V BUS
A5	C4	CC1	B8	C3	SBU2
A6	C6	Dp1	B7	C5	Dn2
A7	C7	Dn1	B6	C8	Dp2
A8	C9	SBU1	B5	C10	CC2
A9	C11	V BUS	B4	C11	V BUS
A12	C12	GND	B1	C12	GND



本品不屬於危害性廢棄物,須丟棄時可以委託回收商予以回收再生處理。
Products do not belong to •

運送時本產品不要直接與水、酸鹼性化學物質接觸,或放置於含有以上氣體環境中,並且需要注意會有滑落、側翻的危險發生;運輸過程中不能有碰撞或者擠壓,須保證溫度與濕度適中[常溫 25°C,濕度在 50°C 以內],不可導致材料變形或氧化。

注記 NOTICE

1. 碩方公司擁有最終解釋權; The company reserves the right of final interpretation;
2. 文件禁止外洩、轉載; Leaked and reproduced prohibited;
3. 未經授權修改無效。Modify is invalid.