

CONNECTORS

Operation: SMT/板上立式 防水型 6PIN-Type-C(PD)快充连接器



LTEM NO.: MC-306FL (Series)

(L9.5×W3.5×H7.35 TYPE-C-CONNECTORS)



SMT+DIP

正向操作

精密部品 NICETY

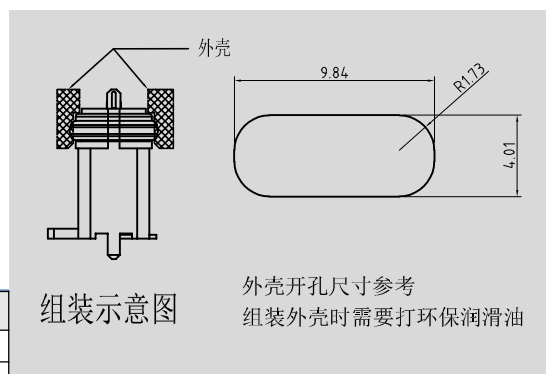
可靠 STABILIZE

適合環保 RoHS

Technical parameter

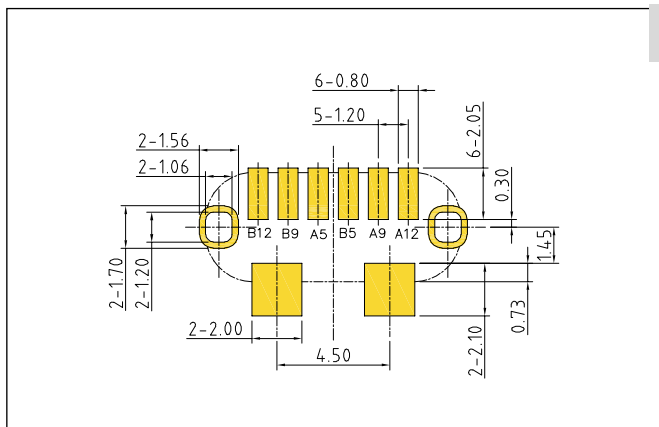
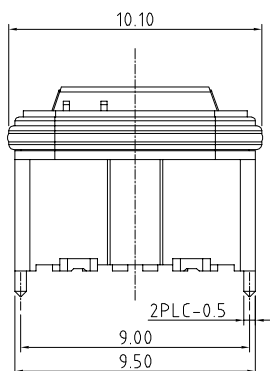
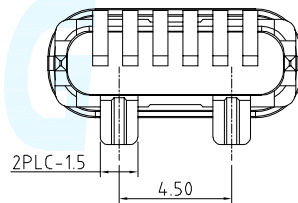
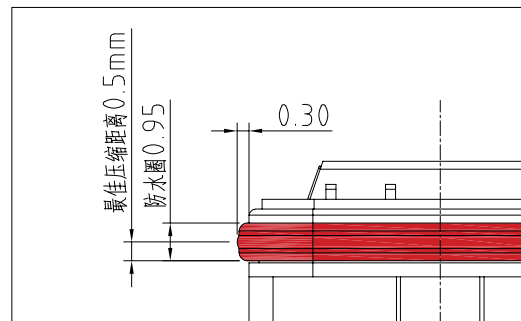
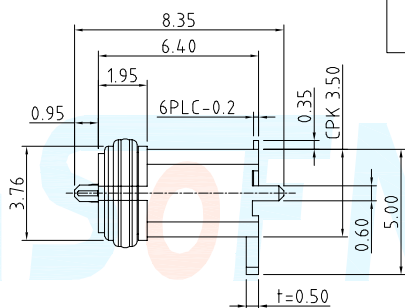
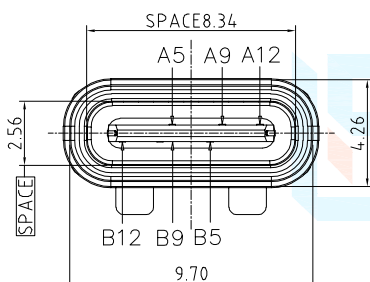
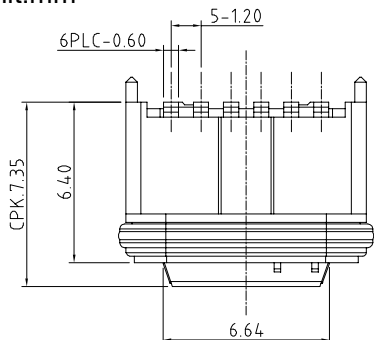
PROJECT	LEVEL	A[better product]	B[average product]
	Contact Rating	3.0A, 100V AC	
Electrical	Initial Contact Resistance	100mΩ max.	
Properties	Insulation Resistance	100MΩ min.500V DC	Skey/PD: 100MΩ min.300V DC
	Withstand Voltage	500V AC for 1 minute	350 V AC for 1 minut
Durable Performance	There No Load	6,000 Cycles	5,000 Cycles
	Rated Load	5,000 Cycles	4,000 Cycles
	Storage temp.	-35℃~+75℃(Operating Temp:)	
	Operating Force	IF:10.0N MAX. (EF:10.0N MIN.)	
	Heat Rrsistance	IR Reflow:255℃, 5sec. Manual:350℃, 3sec.	

Material declaration		
No.	NAME	Description
①	Molding 包胶	LCP 30%(Gray) 耐热塑胶 UL94V-0
②	Body 胶芯	LCP 30%(Gray) 耐热塑胶 UL94V-0
③	Glue(防水)涂层	液态 (HF)环氧橡胶[Black]
④	接触端子	磷铜 C5191 (镀金 1u" /焊尾雾锡)
⑤	Shell 外壳	STAINLESS STEEL (t=0.50mm)
⑥	METAL COVER	STAINLESS STEEL (t=0.20mm)
⑦	Oval ring 圆环	软橡胶 Rubber



Unit:mm

PIN	Signal NAME	PIN	Signal NAME
A 5	CC1	B 5	CC2
A 9	V BUS	B 9	V BUS
A12	GND	B12	GND



P.C.B LAYOUT

