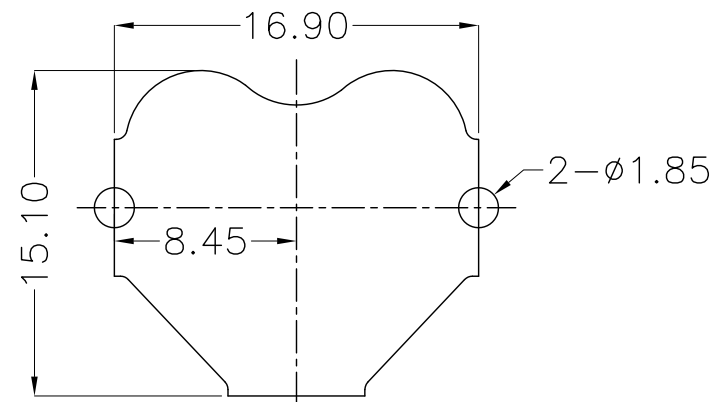
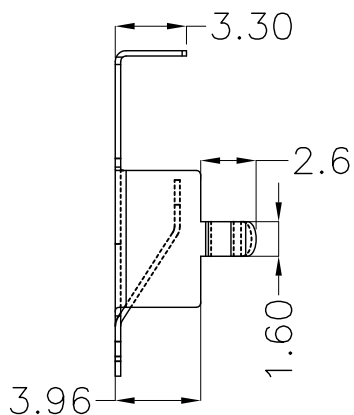
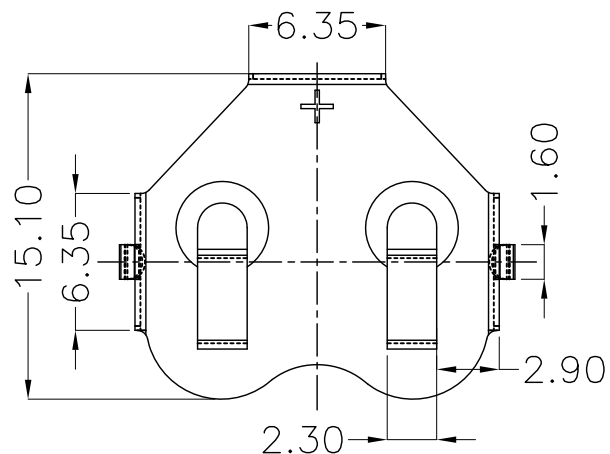
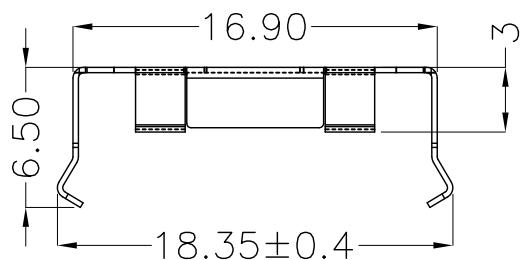




REV.	ECN NO.	REVISED	DATE



PCB Layout Diagram
Top View



工程部
2020-03-30
LQ. HUANG

UNLESS OTHERWISE SPECIFIED TOLERANCES		MYOUNG 美阳 www.meiyangdz.com			
DECIMALS: X : ±0.30 X.X : ±0.25 X.XX : ±0.20 X.XXX : ±0.10	ANGLES: X : ±1° X.X : ±0.5°	DSND	YangFeng	DATE	2020-03-30
WEIGHT: 0.53g		CHKD	ZhouRuicai	DATE	2020-03-30
SHEET 1 OF 1		APVD	XueShunyong	DATE	2020-03-30
TITLE:		SCALE:	3:1	SIZE:	A4
PART NO.:		VIEW:	⊙ ←	OBJECT:	MY
DRAW NO.:		UNIT:	mm	REV.:	A/1
DRAW NO.:		REVISED		DATE	
DRAW NO.:					

1	TERMINAL(+)	1	PHOSPHOR BRONZE, T=0.25mm	Ni-Plating
NO.	PART NAME	Q'TY	MATERIAL	PLATING & COLOR