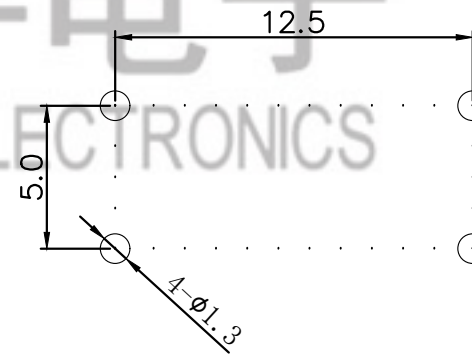
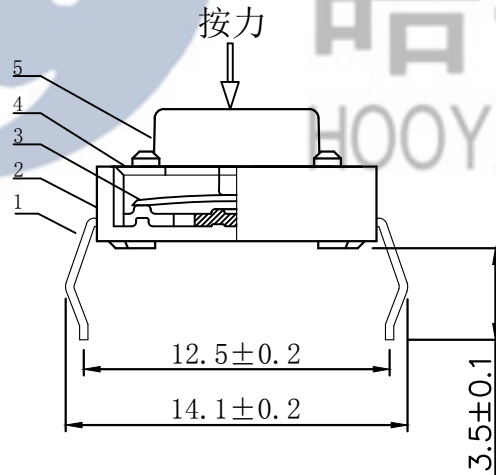
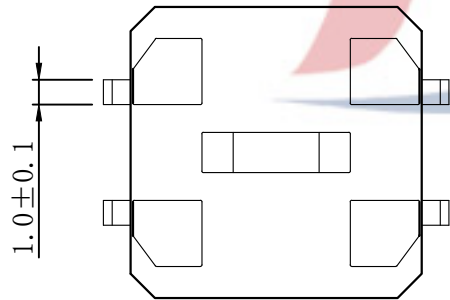


电路图



PCB板焊盘尺寸

Operating force	
100gf±40gf	
130gf±40gf	
160gf±40gf	✓
260gf±50gf	
350gf±50gf	

高度	
H=4.3mm	✓
H=5.0mm	
H=6.0mm	
H=7.0mm	

				TOLERANCE UNLESS SPECIFIED							
				UP TO 5mm: ±0.1	ANGULAR	1					
				ABOVE 5mm: ±0.2	±1°	NO	DATE	REVISIONS		BY	APPD
5	STEM	PPA	1	BLACK	TITLE: TACT SWITCH		UNIT : MM	ROHS COMPLIANT	DWN		
4	COVER	SUS	1	WHITE	MODEL: TC-00121 -043C		SCALE: 1:1	CHK'D			
3	CONTACT	SUS	4	Ag-Plated	HAOYU(HONGKONG)LIMITED 皓宇(香港)有限公司		APPD				
2	CASE	PPA	1	BLACK			PRO.AGL:		REV :A0		
1	TERMINAL	BRASS	1	Ag-Plated							
NO.	PART NAME	MATERIAL	QTY	FINISHING							