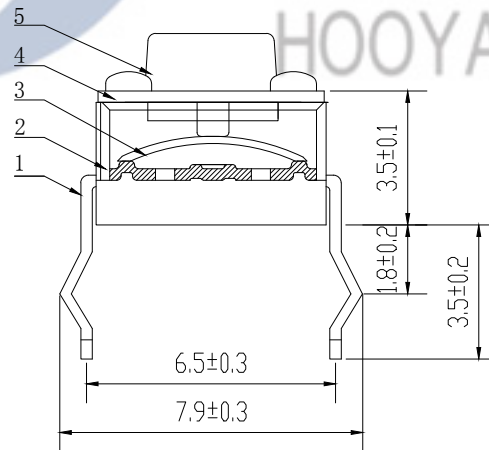
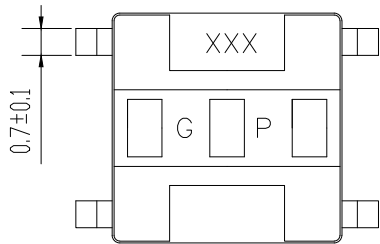


CIRCUIT DIAGRAM



P.C.B LAYOUT

Operating force	
100gf±40gf	
130gf±40gf	
160gf±40gf	
260gf±50gf	✓
350gf±50gf	

height model selection	
H=4.3mm	
H=4.5mm	
H=5.0mm	
H=5.5mm	
H=6.0mm	
H=7.0mm	✓
H=7.5mm	
H=8.0mm	
H=9.0mm	
H= (10-15) mm	

					TOLERANCE UNLESS SPECIFIED										
					UP TO 5mm: ±0.1	ANGULAR	7								
					ABOVE 5mm: ±0.2	±1°	NO	DATE	REVISIONS		BY	APPD			
1	TERMINAL	BRASS	1	Ag-PLATED	TITLE: TACT SWITCH			UNIT : MM	ROHS	DWN					
2	CASE	PA9T	1	BLACK	MODEL: TC-00104-070E			SCALE: 1:1	COMPLIANT	CHK'D					
3	CONTACT	SUS301	1	Ag-PLATED	HAOYU(HONGKONG)LIMITED 皓宇(香港)有限公司							APPD			
4	COVER	SUS/SPCC	1	Cu/Sn-PLATED								PRO.AGL:		REV :A0	
5	KNOB	PA9T	1	BLACK											
NO.	PART	NAME	MATERIAL	QTY	FINISHING										